



**PNEUMATIC HAMMER  
MARTEAU PIQUEUR  
MARTILLO PICADORA**



# MAC15D

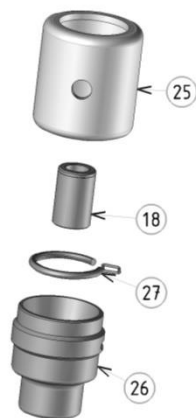
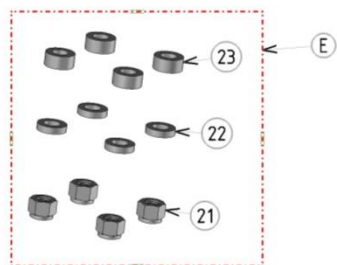
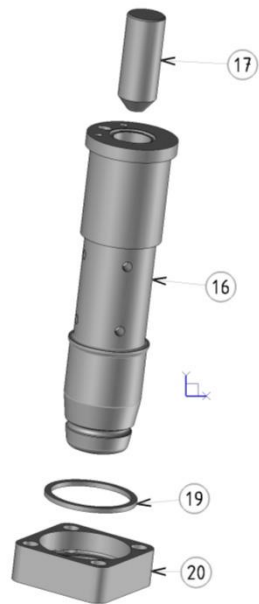
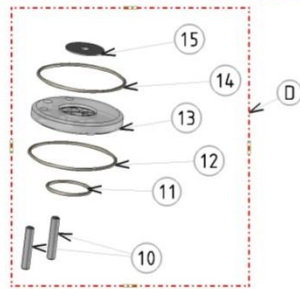
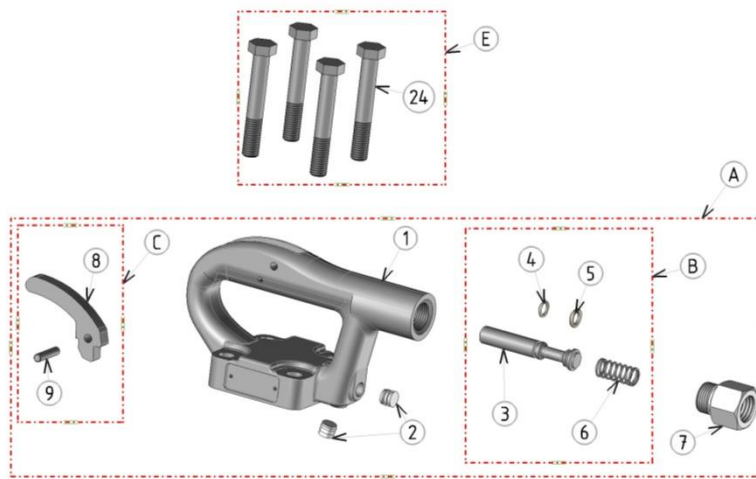


**Ref : MAC3DP05774 Indice : 02**

ALLIANCE NORTH AMERICA, Inc.  
1100 Hope Street  
CYPRESS, CA 90630

Tel : 1-562-450-3570  
Fax : 1-562-450-3570  
e-mail : [sales@anacorp.com](mailto:sales@anacorp.com)

[www.anacorp.com](http://www.anacorp.com)



Option



Repère	Référence	Nombre	Désignation	Designation	Designación
1	MAC3AP05580	1	- Poignée	- Handle	- Empuñadura
2	MAC3AP01839	2	- Bouchon	- Plug	- Tapa
3	MAC3AP03940	1	- Soupape	- Valve	- Válvula
4	MAC3AS00839	1	- Joint	- O-ring	- Junta
5	MAC3AS00840	1	- Joint	- O-ring	- Junta
6	MAC3AP00841	1	- Ressort	- Spring	- Muelle
7	MAC3AP04693	1	- Mamelon	- Nipple	- Racor
8	MAC3AP05653	1	- Gâchette	- Trigger	- Gatillo
9	MAC3AS05655	1	- Goupille	- Pin	- Eje
10	MAC3AS02075	2	- Goupille	- Pin	- Eje
11	MAC3AS05223	1	- Joint	- O-ring	- Junta
12	MAC3AS05221	1	- Joint	- O-ring	- Junta
13	MAC3AP05247	1	- Siège de frappe	- Seat	- Silla de impacto
14	MAC3AS05221	1	- Joint	- O-ring	- Junta
15	MAC3AP05227	1	- Pastille	- Insert	- Pastilla
16	MAC3AP05620	1	- Cylindre	- Cylinder	- Cilindro
17	MAC3AP03446	1	- Piston	- Piston	- Pistón
18	MAC3AP03431	1	- Manchon Cyl D17-L60	- Sleeve .680 R	- Mango R 0.680
	MAC3AP03428		- Manchon Cyl-Hex D17-L60	- Sleeve .580 H	- Mango RH 0.580
19	MAC3AP05585	1	- Bague	- Ring	- Anillo
20	MAC3AP05584	1	- Bride	- Flange	- Brida
21	MAC2AS02488	4	- Ecrou	- Nut	- Tuerca
22	MAC3AP05583	4	- Rondelle	- Washer	- Arandela
23	MAC3AP05586	4	- Amortisseur	- absorber	- Amortiguador
24	MAC3AS05587	4	- Vis	- Screw	- Tornillo
25	MAC3AP03457	1	- Atténuateur	- Muffler	- Mufla
26	MAC3AP03429	1	- Décaleur	- Retainer	- Retenedor
	MAC3AP06769	OPTION	- Décaleur à billes	- Ball Retainer	- Retenedor con bola
27	MAC3AP03447	1	- Ressort	- Spring	- Muelle Retenedor

KIT		Kit Pour Réparation	Repair Kit	Kit de Reparación
A	MAC3KS05776	- Kit Poignée complète	- Complete handle Kit	- Empuñadura completa
		1, 2(x2), 3, 4, 5, 6, 7, 8, 9		
B	MAC3KS04069	- Kit Soupape	- Valve Kit	- Válvula
		3, 4, 5, 6		
C	MAC3KS05777	- Kit Gâchette	- Trigger Kit	- Gatillo
		8, 9		
D	MAC3KS05309	- Kit Distribution	- Inlet valve Kit	- Distribución
		10, 11, 12, 13, 14, 15		
E	MAC3KS05778	- Kit Fixation	- Setting Kit	- Fijación
		21(x4), 22(x4), 23(x4), 24(x4)		

Emmanchement / Shank size / Enmangadura (mm / In)	Poids / Weight / Peso (Kg / Lb)	Longueur / Length / Longitud (mm / In)
R 17x60 - R 0.680	8.6 – 19	396 – 15.6"
RH 17x60 - RH 0.580	8.6 – 19	396 – 15.6"

CARACTERISTIQUES	
Alésage / Bore / Escariado (mm / In)	Ø28.5 - 1.1"
Course piston / Piston stroke / Carrera del piston (mm / In)	120 - 4.7"
Cadence de frappe / Impact rate / Golpes por minuto (cps/min / B.P.M.)	1800
Pression / Pressure / Presion (Bar / Psi)	6 - 87
Consommation / Air consumption / Consumo de aire (l/mm / CMF)	1200 - 42.4
Flexible / Hose / Manguera (mm / In)	Ø19 - Ø3/4"