



**PAVING BREAKER  
BRISE BETON  
MARTILLO ROMPEDOR**



# MAC40T

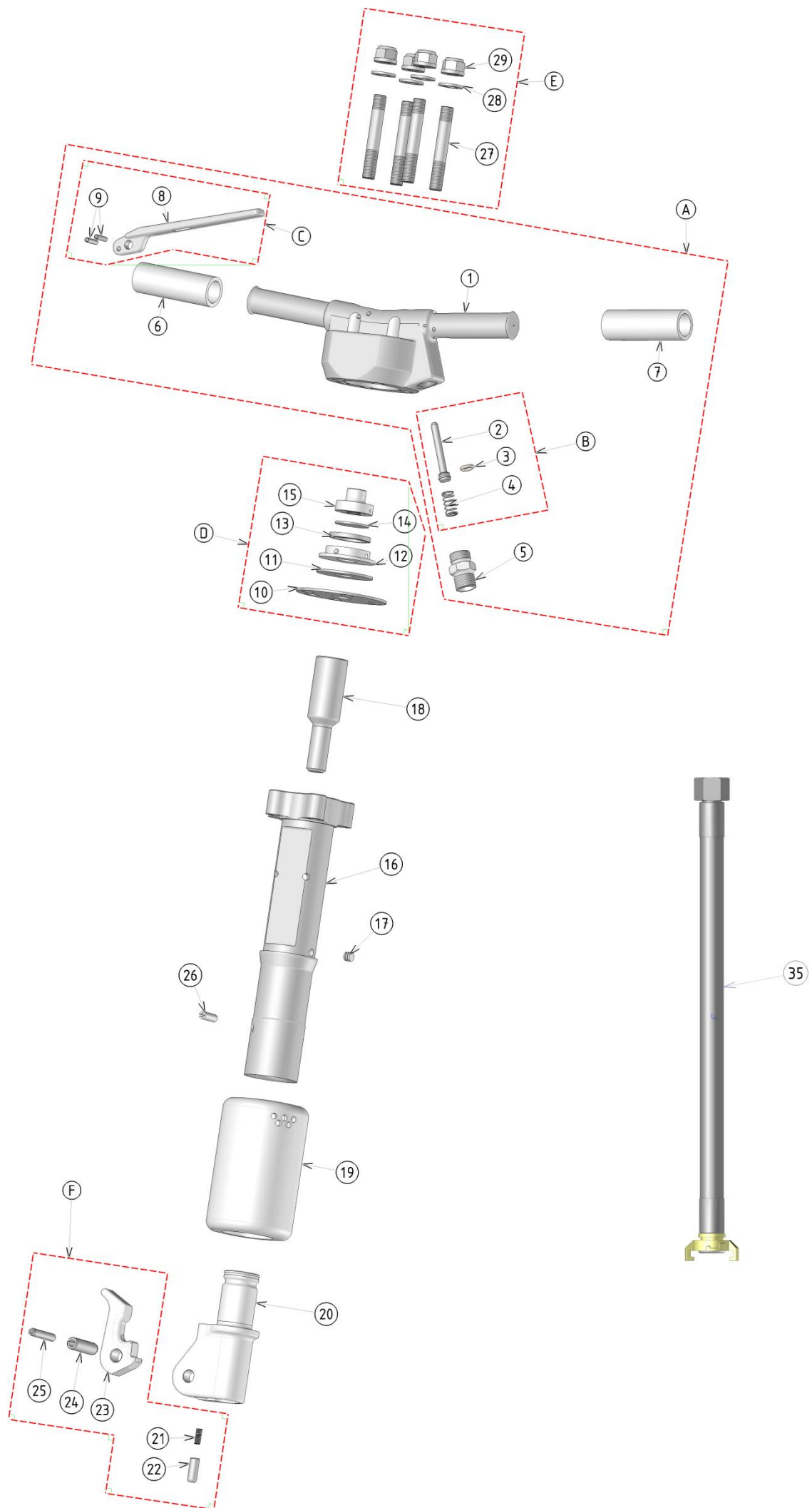


**Ref : MAC3DP05139 Indice : 02**

**ALLIANCE NORTH AMERICA, Inc.**  
1100 Hope Street  
CYPRESS, CA 90630

Tel : 1-562-450-3570  
Fax : 1-562-450-3570  
e-mail : [sales@anacorp.com](mailto:sales@anacorp.com)

[www.anacorp.com](http://www.anacorp.com)



| Repère     | Référence          | Nombre | Designation  | Désignation                | Designación               |
|------------|--------------------|--------|--|----------------------------|---------------------------|
| 1          | MAC3AP04255        | 1      | - Handle without safety                            | - Poignée                  | - Empuñadura              |
| 2          | MAC3AP03505        | 1      | - Valve  | - Soupape                  | - Válvula                 |
| 3          | MAC3AS00886        | 1      | - O-ring   | - Joint                    | - Junta                   |
| 4          | MAC3AP00890        | 1      | - Spring   | - Ressort                  | - Muelle                  |
| 5          | MAC3AP03552        | 1      | - Nipple   | - Mamelon                  | - Racor                   |
| 6          | MAC3AP03559        | 1      | - Grip   | - Garniture                | - Agarre                  |
| 7          | MAC3AP03559        | 1      | - Grip   | - Garniture                | - Agarre                  |
| 8          | MAC3AP03531        | 1      | - Trigger  | - Gâchette                 | - Gatillo                 |
| 9          | MAC3AS05411        | 2      | - Pin  | - Goupille                 | - Eje                     |
| 10         | MAC3AP03503        | 1      | - Shield   | - Bouclier                 | - Protección              |
| 11         | MAC3AP03389        | 1      | - O-ring   | - Joint                    | - Junta                   |
| 12         | MAC3AP03390        | 1      | - Seat   | - Siège de frappe          | - Silla de impacto        |
| 13         | MAC3AP03391        | 1      | - Shimplate  | - Plaque d'épaisseur       | - Placa                   |
| 14         | MAC3AP03558        | 1      | - Insert   | - Pastille                 | - Pastilla                |
| 15         | MAC3AP03393        | 1      | - Up-Seat  | - Siège de relève          | - Silla de levantada      |
| 16         | MAC3AP04107        | 1      | - Cylinder   | - Cylindre                 | - Cilindro                |
| 17         | MAC3AP01839        | 1      | - Plug   | - Bouchon                  | - Tapa                    |
| 18         | MAC3AP04116        | 1      | - Piston   | - Piston                   | - Pistón                  |
| 19         | MAC3AP01996        | 1      | - Muffler  | - Atténuateur              | - Mufla                   |
| 20         | MAC3AP04705        | 1      | - Fronthead  | - Manchon Chape            | - Mango revestimiento     |
| 21         | MAC3AP01956        | 1      | - Spring   | - Ressort                  | - Muelle                  |
| 22         | MAC3AP01955        | 1      | - Dog  | - Taquet                   | - Tope                    |
| 23         | MAC3AP01954        | 1      | - Latch  | - Loquet                   | - Pestillo                |
| 24         | MAC3AS01957        | 1      | - Pin  | - Goupille                 | - Eje                     |
| 25         | MAC3AS01958        | 1      | - Pin  | - Goupille                 | - Eje                     |
| 26         | MAC3AS04584        | 1      | - Pin  | - Goupille                 | - Eje                     |
| 27         | MAC3AS03551        | 4      | - Stud   | - Goujon                   | - Pasador                 |
| 28         | MAC2AS03191        | 4      | - Washer   | - Rondelle                 | - Arandela                |
| 29         | MAC3AS02003        | 4      | - Nut  | - Ecrou                    | - Tuerca                  |
| 35         | MAC3AP03550        | 1      | - Hose Coupling                                    | - Manchette US             | - Manguera                |
| <b>KIT</b> |                    |        | <b>Repair Kit</b>                                  | <b>Kit Pour Réparation</b> | <b>Kit de Reparación</b>  |
| <b>A</b>   | <b>MAC3KS03755</b> |        | - Complete handle Kit<br>1, 2, 3, 4, 5, 6, 7, 8, 9 | - Kit poignée complète     | - Kit Empuñadura completa |
| <b>B</b>   | <b>MAC3KS03704</b> |        | - Valve Kit<br>2, 3, 4                             | - Kit soupape              | - Kit Válvula             |
| <b>C</b>   | <b>MAC3KS03752</b> |        | - Trigger Kit<br>8, 9(x2)                          | - Kit Gâchette             | - Kit Gatillo             |
| <b>D</b>   | <b>MAC3KS04281</b> |        | - Inlet valve Kit<br>10, 11, 12, 13, 14, 15        | - Kit distribution         | - Kit Distribución        |
| <b>E</b>   | <b>MAC3KS03756</b> |        | - Stud + Nut Kit<br>27(x4), 28(x4), 29(x4)         | - Kit goujon + écrou       | - Kit Pasador+Tuerca      |
| <b>F</b>   | <b>MAC3KS02136</b> |        | - Latch Kit<br>21, 22, 23, 24, 25                  | - Kit Loquet               | - Kit Pestillo            |

| Shank size / Emmanchement /<br>Enmangadura (mm / In) | Weight / Poids /<br>Peso (Kg / Lb) | Length / Longueur / Longitud<br>(mm / In) |
|--|------------------------------------|---|
| H 25x108 - H 1''x 4'1/4                              | 20.2 – 44.5                        | 596 – 23.5                                |

| <b>FEATURE, CARACTERISTIQUES, CARACTERISTICA</b>                       |                       |
|--|-----------------------|
| Bore / Alésage / Escariado (mm / In)                                   | <b>Ø42 - 1''21/32</b> |
| Piston stroke / Course piston / Carrera del piston (mm / In)           | <b>160 - 6''3/8</b>   |
| Impact rate / Cadence de frappe / Golpes por minuto (cps/min / B.P.M.) | <b>1300</b>           |
| Pressure / Pression / Presion (Bar / Psi)                              | <b>6 - 87</b>         |
| Air consumption / Consommation / Consumo de aire (l/mm / CMF)          | <b>1200 - 42.4</b>    |
| Hose / Flexible / Manguera (mm / In)                                   | <b>Ø19 - Ø3/4''</b>   |