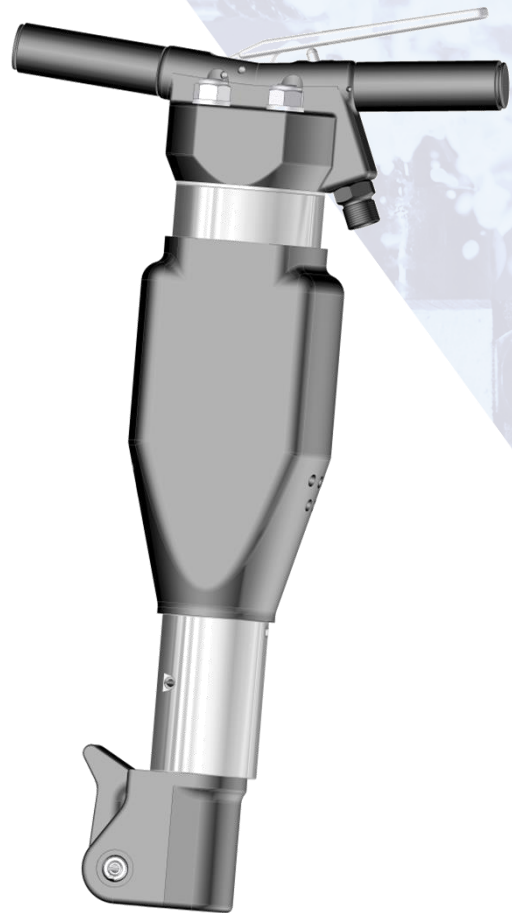




**PAVING BREAKER  
BRISE BETON  
MARTILLO ROMPEDOR**



# MAC60T / MAC90T

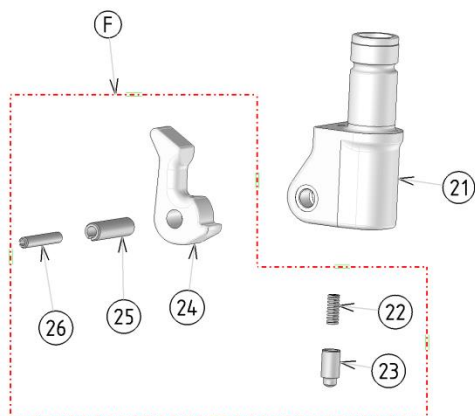
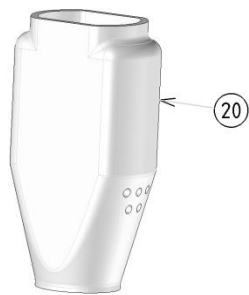
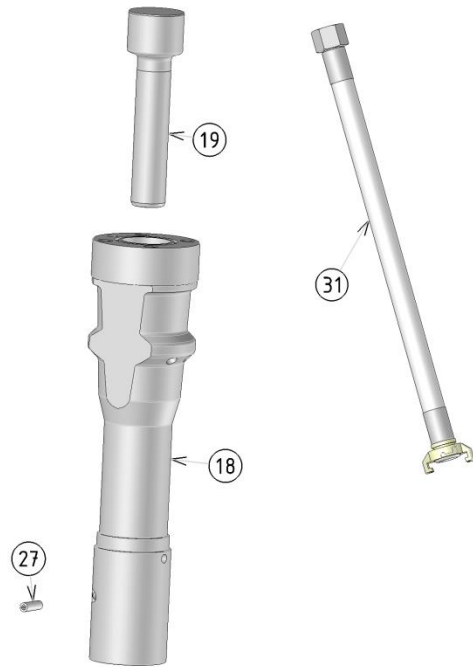
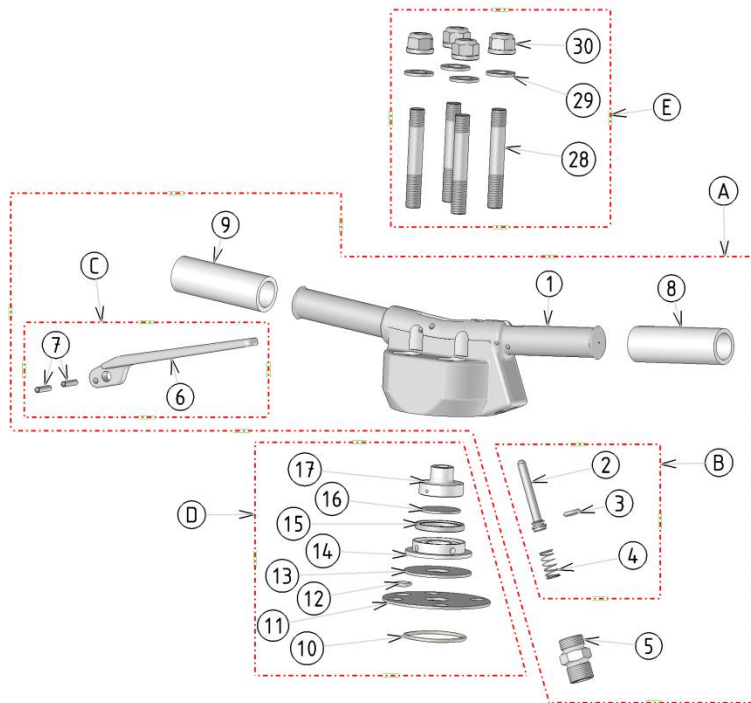


**Ref : MAC3DP05141 Indice : 01**

**ALLIANCE NORTH AMERICA, Inc.**  
1100 Hope Street  
CYPRESS, CA 90630

Tel : 1-562-450-3570  
Fax : 1-562-450-3570  
e-mail : [sales@anacorp.com](mailto:sales@anacorp.com)

[www.anacorp.com](http://www.anacorp.com)



Repère	Référence	Nombre	Designation	Désignation	Designación
1	MAC3AP04255	1	- Handle	- Poignée	- Empuñadura
2	MAC3AP03505	1	- Valve	- Soupape	- Válvula
3	MAC3AS00886	1	- O-ring	- Joint	- Junta
4	MAC3AP00890	1	- Spring	- Ressort	- Muelle
5	MAC3AP03552	1	- MAC60T Nipple	- Mamelon BB32	- Racor BB32
	MAC3AP03751		- MAC90T Nipple	- Mamelon BB40	- Racor BB40
6	MAC3AP03531	1	- Trigger	- Gâchette	- Gatillo
7	MAC3AS05411	1	- Pin	- Goupille	- Eje
8	MAC3AP03559	1	- Grip	- Garniture	- Agarre
9	MAC3AP03559	1	- Grip	- Garniture	- Agarre
10	MAC3AS03553	1	- O-Ring	- Joint	- Junta
11	MAC3AP03503	1	- Shield	- Bouclier	- Protección
12	MAC3AS03554	1	- O-Ring	- Joint	- Junta
13	MAC3AP03389	1	- Gasket	- Joint	- Junta
14	MAC3AP03390	1	- Seat	- Siège de frappe	- Silla de impacto
15	MAC3AP03391	1	- Shimplate	- Plaque d'épaisseur	- Placa
16	MAC3AP03558	1	- Insert	- Pastille	- Pastilla
17	MAC3AP03393	1	- Up-Seat	- Siège de relève	- Silla de levantada
18	MAC3AP03450	1	- MAC60T Cylinder	- Cylindre BB32	- Cilindro BB32
	MAC3AP03451		- MAC90T Cylinder	- Cylindre BB40	- Cilindro BB40
19	MAC3AP00869	1	- MAC60T Piston	- Piston BB32	- Pistón BB32
	MAC3AP03460		- MAC90T Piston	- Piston BB40	- Pistón BB40
20	MAC3AP03686	1	- OPTION : Muffler	- OPTION : Atténuateur	- OPTION : Mufla
21	MAC3AP00863	1	- Fronthead 1''1/8x6''	- Manchon Chape H 28x160	- Mango revestimiento 28x160
	MAC3AP02013		- Fronthead 1''1/4x6''	- Manchon Chape H 32x160	- Mango revestimiento 32x160
22	MAC3AP00865	1	- Spring	- Ressort	- Muelle
23	MAC3AP00866	1	- Dog	- Taquet	- Tope
24	MAC3AP00864	1	- Latch	- Loquet	- Pestillo
25	MAC3AS00873	1	- Pin	- Goupille	- Eje
26	MAC3AS00874	1	- Pin	- Goupille	- Eje
27	MAC3AS05008	1	- Pin	- Goupille	- Eje
28	MAC3AS03551	4	- Stud	- Goujon	- Pasador
29	MAC2AS03191	4	- Washer	- Rondelle	- Arandela
30	MAC3AS02003	4	- Nut	- Ecrou	- Tuerca
31	MAC3AP03550	1	- Hose coupling	- Manchette	- Manguera

KIT		Repair Kit	Kit Pour Réparation	Kit de Reparación
<b>A</b>	<b>MAC3KS03755</b>	- Complete handle Kit 1, 2, 3, 4, 5, 6, 7(x2), 8, 9	- Kit Poignée complète	- Kit Empuñadura completa
<b>B</b>	<b>MAC3KS03704</b>	- Valve Kit 2, 3, 4	- Kit Soupape	- Kit Válvula
<b>C</b>	<b>MAC3KS03752</b>	- Trigger Kit 6, 7(x2)	- Kit Gâchette	- Kit Gatillo
<b>D</b>	<b>MAC3KS03702</b>	- Inlet valve Kit 10, 11, 12, 13, 14, 15, 16, 17	- Kit Distribution	- Kit Distribución
<b>E</b>	<b>MAC3KS03756</b>	- Stud + Nut Kit 28(x4), 29(x4), 30(x4)	- Kit Goujon + écrou	- Kit Pasador+Tuerca
<b>F</b>	<b>MAC3KS02135</b>	- Latch Kit 22, 23, 24, 25, 26	- Kit Loquet	- Kit Pestillo
	<b>MAC3KS03705</b>	- Gasket kit 3, 10, 12, 13	- Kit Joint	- Kit Junta

<b>Shank size / Emmanchement / Enmangadura (mm / In)</b>	<b>Weight / Poids / Peso (Kg / Lb)</b>	<b>Length / Longueur / Longitud (mm / In)</b>
<b>MAC60T</b>		
H 28x160 - H 1''1/8x6''	32 – 70.5	704 – 27.7
H 32x160 - H 1''1/4x6''	32 – 70.5	704 – 27.7
<b>MAC90T</b>		
H 28x160 - H 1''1/8x6''	38 – 83.8	720 – 28.3
H 32x160 - H 1''1/4x6''	38 – 83.8	720 – 28.3

### **FEATURE, CARACTERISTIQUES, CARACTERISTICA MAC60T**

Bore / Alésage / Escariado (mm / In)	<b>Ø55 - 2''5/32</b>
Piston stroke / Course piston / Carrera del piston (mm / In)	<b>151 - 6''</b>
Impact rate / Cadence de frappe / Golpes por minuto (cps/min / B.P.M.)	<b>1150</b>
Pressure / Pression / Presion (Bar / Psi)	<b>6 - 87</b>
Air consumption / Consommation / Consumo de aire (l/mm / CMF)	<b>1200 - 42.4</b>
Hose / Flexible / Manguera (mm / In)	<b>Ø19 - Ø3/4''</b>

### **FEATURE, CARACTERISTIQUES, CARACTERISTICA MAC90T**

Bore / Alésage / Escariado (mm / In)	<b>Ø62 - 2''7/16</b>
Piston stroke / Course piston / Carrera del piston (mm / In)	<b>151 - 6''</b>
Impact rate / Cadence de frappe / Golpes por minuto (cps/min / B.P.M.)	<b>1100</b>
Pressure / Pression / Presion (Bar / Psi)	<b>6 - 87</b>
Air consumption / Consommation / Consumo de aire (l/mm / CMF)	<b>1600 - 56.5</b>
Hose / Flexible / Manguera (mm / In)	<b>Ø19 - Ø3/4''</b>