



**PNEUMATIC HAMMER  
MARTEAU PIQUEUR  
MARTILLO PICADORA**



# MAC20D latch

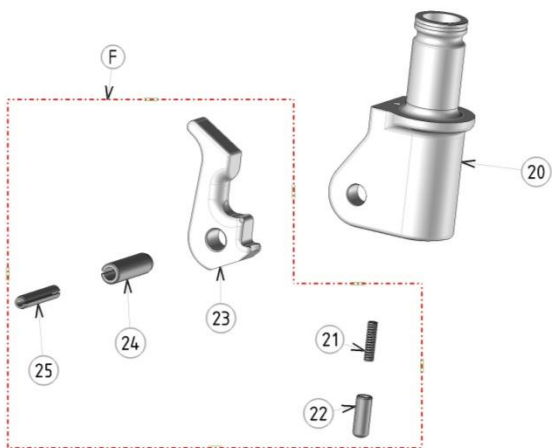
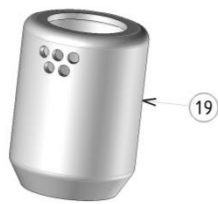
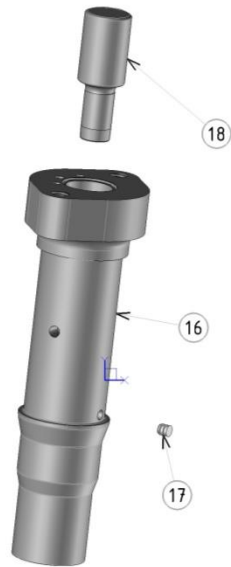
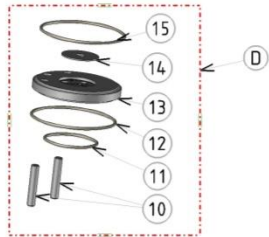
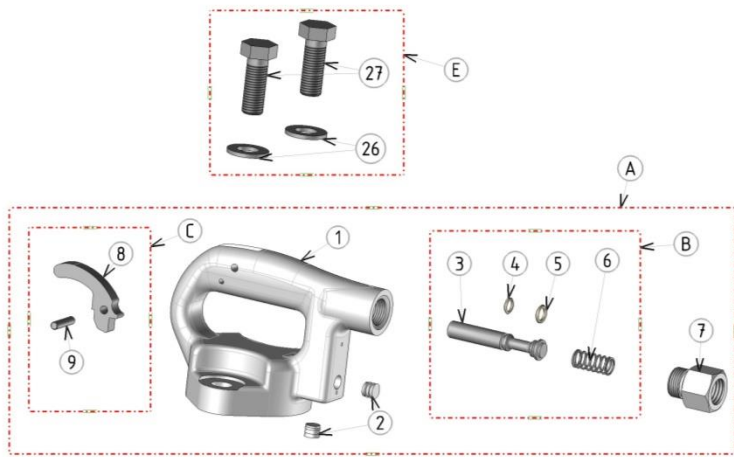


**Ref : MAC3DP05002 Indice : 03**

**ALLIANCE NORTH AMERICA, Inc.**  
1100 Hope Street  
CYPRESS, CA 90630

Tel : 1-562-450-3570  
Fax : 1-562-450-3570  
e-mail : [sales@anacorp.com](mailto:sales@anacorp.com)

[www.anacorp.com](http://www.anacorp.com)



Repère	Référence	Nombre	Designation	Désignation	Designación
1	MAC3AP05217	1	- Handle	- Poignée	- Empuñadura
2	MAC3AP01839	2	- Plug	- Bouchon	- Tapa
3	MAC3AP03940	1	- Valve	- Soupape	- Válvula
4	MAC3AS00839	1	- O-ring	- Joint	- Junta
5	MAC3AS00840	1	- O-ring	- Joint	- Junta
6	MAC3AP00841	1	- Spring	- Ressort	- Muelle
7	MAC3AP04693	1	- Nipple	- Mamelon	- Racor
8	MAC3AP03941	1	- Trigger	- Gâchette	- Gatillo
9	MAC3AS01999	1	- Pin	- Goupille	- Eje
10	MAC3AS02075	2	- Pin	- Goupille	- Eje
11	MAC3AS05222	1	- O-ring	- Joint	- Junta
12	MAC3AS05221	1	- O-ring	- Joint	- Junta
13	MAC3AP05218	1	- Seat	- Siège de frappe	- Silla de impacto
14	MAC3AP05227	1	- Insert	- Pastille	- Pastilla
15	MAC3AS05221	1	- O-ring	- Joint	- Junta
16	MAC3AP04581	1	- Cylinder	- Cylindre	- Cilindro
17	MAC3AP00838	1	- Plug	- Bouchon	- Tapa
18	MAC3AP01827	1	- Piston	- Piston	- Pistón
19	MAC3AP01832	1	- Muffler	- Atténuateur	- Mufla
20	MAC3AP01961	1	- Fronthead	- Manchon	- Mango revestimiento
21	MAC3AP01956	1	- Spring	- Ressort	- Muelle
22	MAC3AP01955	1	- Dog	- Taquet	- Tope
23	MAC3AP01954	1	- Latch	- Loquet	- Pestillo
24	MAC3AS01957	1	- Pin	- Goupille	- Eje
25	MAC3AS01958	1	- Pin	- Goupille	- Eje
26	MAC3AS05164	2	- Screw	- Vis	- Tornillo
27	MAC3AS05165	2	- Washer	- Rondelle	- Arandela

KIT		Repair kit	Kit Pour Réparation	Kit de Reparación
A	MAC3KS05287	- Complete handle Kit	- Kit Poignée complète	- Empuñadura completa
		1, 2(x2), 3, 4, 5, 6, 7, 8, 9		
B	MAC3KS04069	- Valve Kit	- Valve Kit Kit soupape	- Válvula
		3, 4, 5, 6		
C	MAC3KS04067	- Trigger Kit	- Kit Gâchette	- Gatillo
		8, 9		
D	MAC3KS05288	- Inlet valve Kit	- Kit distribution	- Distribución
		10, 11, 12, 13, 14, 15		
E	MAC3KS03730	- Screw Kit	- Kis vis	- Tornillo
		26(x2), 27(x2)		
F	MAC3KS02136	- Latch Kit	- Kit loquet	- Pestillo
		21, 22, 23, 24, 25		

Shank size / Emmanchement / Enmangadura (mm / In)	Weight / Poids / Peso (Kg / Lb)	Length / Longueur / Longitud (mm / In)
H 22x82 - H 7/8" x 3"1/4	12.8 - 28.2	507 - 20

FEATURE, CARACTERISTIQUES, CARACTERISTICA	
Bore / Alésage / Escariado (mm / In)	Ø36 - 1.4"
Piston stroke / Course piston / Carrera del piston (mm / In)	148 - 5.8"
Impact rate / Cadence de frappe / Golpes por minuto (cps/min / B.P.M.)	1800
Pressure / Pression / Presion (Bar / Psi)	6 - 87
Air consumption / Consommation / Consumo de aire (l/mm / CMF)	1100 - 38.8
Hose / Flexible / Manguera (mm / In)	Ø19 - Ø3/4"