



**PNEUMATIC HAMMER
MARTEAU PIQUEUR
MARTILLO PICADORA**



MAC30D latch

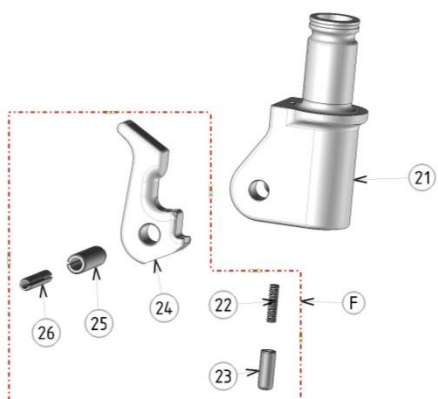
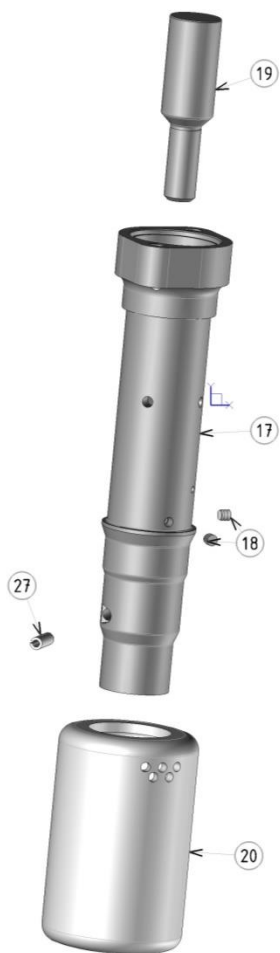
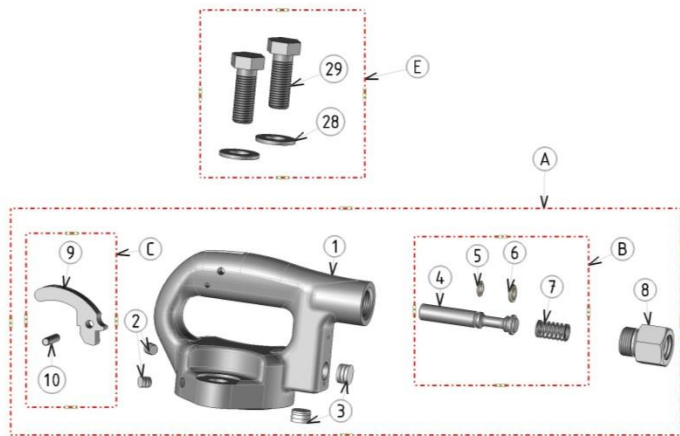


Ref : MAC3DP05003 Indice : 02

ALLIANCE NORTH AMERICA, Inc.
1100 Hope Street
CYPRESS, CA 90630

Tel : 1-562-450-3570
Fax : 1-562-450-3570
e-mail : sales@anacorp.com

www.anacorp.com



Repère	Référence	Nombre	Designation	Désignation	Designación
1	MAC3AP01973	1	- Handle	- Poignée	- Empuñadura
2	MAC3AP00838	2	- Plug	- Bouchon	- Tapa
3	MAC3AP02083	2	- Plug	- Bouchon	- Tapa
4	MAC3AP03940	1	- Valve	- Soupape	- Válvula
5	MAC3AS00839	1	- O-ring	- Joint	- Junta
6	MAC3AS00840	1	- O-ring	- Joint	- Junta
7	MAC3AP00841	1	- Spring	- Ressort	- Muelle
8	MAC3AP04693	1	- Nipple	- Mamelon	- Racor
9	MAC3AP03941	1	- Trigger	- Gâchette	- Gatillo
10	MAC3AS01999	1	- Pin	- Goupille	- Eje
11	MAC3AS02075	1	- Pin	- Goupille	- Eje
12	MAC3AP03678	1	- Shield	- Bouclier	- Protección
13	MAC3AP01974	1	- Seat	- Siège de frappe	- Silla de impacto
14	MAC3AP01972	1	- Shimplate	- Calle d'épaisseur	- Placa
15	MAC3AP01834	1	- Insert	- Pastille	- Pastilla
16	MAC3AS02002	1	- O-ring	- Joint	- Junta
17	MAC3AP04106	1	- Cylinder	- Cylindre	- Cilindro
18	MAC3AP00838	2	- Plug	- Bouchon	- Tapa
19	MAC3AP04116	1	- Piston	- Piston	- Pistón
20	MAC3AP01996	1	- Muffler	- Atténuateur	- Mufla
21	MAC3AP01961	1	- Fronthead	- Manchon	- Mango revestimiento
22	MAC3AP01956	1	- Spring	- Ressort	- Muelle
23	MAC3AP01955	1	- Dog	- Taquet	- Tope
24	MAC3AP01954	1	- Latch	- Loquet	- Pestillo
25	MAC3AS01957	1	- Pin	- Goupille	- Eje
26	MAC3AS01958	1	- Pin	- Goupille	- Eje
27	MAC3AS04584	1	- Pin	- Goupille	- Eje
28	MAC3AS05165	2	- Washer	- Rondelle	- Arandela
29	MAC3AS05164	2	- Screw	- Vis	- Tornillo

KIT		Repair Kit	Kit Pour Réparation	Kit de Reparación
A	MAC3KS04998	- Complete handle Kit	- Kit Poignée complète	- Empuñadura completa
		1, 2(x2), 2(x2), 4, 5, 6, 7, 8, 9, 10		
B	MAC3KS04069	- Valve Kit	- Kit Soupape	- Válvula
		4, 5, 6, 7		
C	MAC3KS04067	- Trigger Kit	- Kit Gâchette	- Gatillo
		9, 10		
D	MAC3KS02185	- Inlet valve Kit	- Kit Distribution	- Distribución
		11, 12, 13, 14, 15, 16		
E	MAC3KS03730	- Screw Kit	- Kit Vis	- Tornillo
		28(x2), 29(x2)		
F	MAC3KS02136	- Latch Kit	- Kit Loquet	- Pestillo
		22, 23, 24, 25, 26		

Shank size / Emmanchement / Enmangadura (mm / In)	Weight / Poids / Peso (Kg / Lb)	Length / Longueur / Longitud (mm / In)
H 22x82 - H 7/8" x 3"1/4	14 – 30.9	584 – 23.0

FEATURE, CARACTERISTIQUES, CARACTERISTICA

Bore / Alésage / Escariado (mm / In)	Ø42 - 1"21/32
Piston stroke / Course piston / Carrera del piston (mm / In)	170 - 6"3/4
Impact rate / Cadence de frappe / Golpes por minuto (cps/min / B.P.M.)	1500
Pressure / Pression / Presion (Bar / Psi)	6 - 87
Air consumption / Consommation / Consumo de aire (l/mm / CMF)	1200 - 42.4
Hose / Flexible / Manguera (mm / In)	Ø19 - Ø3/4"