

AIRMAN

INSTRUCTION MANUAL **ENGINE GENERATOR**

SDG125S-6A6
SDG150S-6A6



**Please be sure to read this manual
before using this machine.**

HOKUETSU INDUSTRIES CO., LTD.

Preface

This manual explains and illustrates proper handling of the unit, method of daily inspection and maintenance to enhance the performance of AIRMAN's generators.

In order to use a machine safely, people with sufficient knowledge and sufficient technology need to deal with it.

Before operating the unit, read the manual carefully, fully understand its operation and maintenance requirement. Maintain "SAFETY OPERATION AND PROPER MAINTENANCE OF THE UNIT".

Be sure to follow safety warnings and cautions given in the manual. Unsafe operation could cause serious injury or death.

For details of handling, maintenance and safety of the engine, see the Engine Operation Manual.

Keep the manual available at all times for the operator or safety supervisor.

If the manual is lost or damaged, place an order with your dealer for another copy.

Be sure that the manual is included with the unit when it is handed over to another user.

There may be some inconsistency in detail between the manual and the actual machine due to improvements of the machine. Ask your dealer if you have any questions or problems.

If you have any questions about the unit, please inform us the model and serial number. A plate stamped with the model and serial number is attached to side of the unit.

Each illustrated figure (Fig.) has a number of 7 digits (for instance, A040491) at the right bottom. This number is not a part number, but it is used only for our reference number.

ENGINE GENERATOR	
MODEL	<input type="text"/>
SER. NO.	<input type="text"/>
GEN. OUTPUT	<input type="text"/> kVA
VOLTAGE	<input type="text"/> V
FREQUENCY	<input type="text"/> Hz
POWER FACTOR	80% PHASE 3
RULE	JEM 1398
NET DRY MASS	<input type="text"/> kg
OPERATING MASS	<input type="text"/> kg
HOKUETSU INDUSTRIES CO., LTD.	
MADE IN JAPAN	

A040491





Table of Contents

1. Safety	1-1
1.1 Caution before Operation	1-2
1.2 Caution during Operation	1-4
1.3 Caution during Inspection and Maintenance	1-6
1.4 Safety Warning Labels	1-8
2. Part Names	2-1
2.1 Unit Appearance and Part Names	2-1
2.2 Internal Components	2-2
3. Installation	3-1
3.1 Transporting Unit	3-1
3.2 Place and Conditions of Unit Installation	3-2
3.3 Connecting load	3-5
3.4 Selecting Cable	3-9
3.5 Grounding Method	3-10
3.6 Selector Valve of Fuel Pipe	3-11
4. Operation	4-1
4.1 Instrument panel	4-1
4.2 Protection device	4-3
4.3 Check before Starting the Unit	4-7
4.4 Unit Operation	4-9
4.5 Stopping Procedures	4-12
4.6 Emergency Stop	4-13
4.7 Air Bleeding	4-13
5. Periodic Inspection/Maintenance	5-1
5.1 Important items as Periodic and Maintenance or after Maintenance	5-1
5.2 Daily Inspection and keeping Operation Log	5-2
5.3 Periodic Inspection List	5-3
5.4 Periodic Replacement of Parts	5-4
5.5 Maintenance	5-5
6. Maintenance/Adjustment	6-1
6.1 Maintenance of Battery	6-1
6.2 Troubleshooting	6-3
7. Storage of the Unit	7-1
7.1 Preparation for Long-term Storage	7-1
8. Specifications	8-1
8.1 Specifications	8-1
8.2 Outline drawing	8-3
9. Wiring Diagram	9-1
9.1 Generator Wiring Diagram	9-1
9.2 Engine Wiring Diagram	9-3

1.Safety

This operation manual explains and illustrates general requirements for safety and cautions for safety.

Please read these safety requirements carefully and fully understand the contents before starting the machine.

For your better recognition, according to the degree of potential danger harmful to a human body, safety messages are classified into three hierarchical categories, namely, , , and  with a caution symbol  - attached to each message.

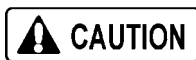
When one of these messages is found, please take preventive measures for safety to carry out “SAFETY OPERATION AND PROPER MAINTENANCE OF THE UNIT”.



DANGER indicates an imminently hazardous situation which, if not avoided, will result in death or serious injury. This signal word is to be limited to the most extreme situations.



WARNING indicates a potentially hazardous situation which, if not avoided, could result in death or serious injury.



CAUTION indicates a potentially hazardous situation which, if not avoided, may result in minor or moderate injury. It may also be used to alert against unsafe practices.



IMPORTANT indicates important caution messages for the performance or durability of the unit, which has no concern to injury or accident of or to a human body.

Follow warnings mentioned in this manual. This instruction manual does not describe all safety items. We, therefore, advise you to pay special attention to all items (even though they may not be described in the manual) for your safety.

1.Safety

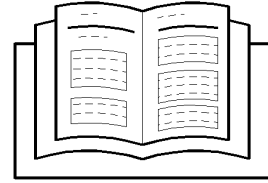
1.1 Caution before Operation



WARNING

Follow the safety instructions

- Read each instruction plate which is displayed in the manual or on the machine carefully, understand its content and follow the indications thereof.
- Keep the Safety Warning labels clean. When they are damaged or missing, apply new ones.
- Do not modify the machine without prior approval. The safety may be compromised, functions may be deteriorated, or machine life may be shortened.
- Never use the machine for the other purposes than power supply. Otherwise, serious accidents may occur.



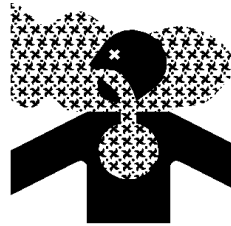
TR0086



WARNING

Ventilation

- Exhaust gas from the engine is poisonous, and could cause casualties when it is inhaled.
Avoid using the machine in an insufficiently ventilated building or a tunnel.



PC002



DANGER

Handling battery

- Keep flames away from battery.
- Battery may generate hydrogen gas and may explode.
- Battery electrolyte is dilute sulfuric acid.
In case of mishandling, it could cause skin burning.
- Wear protective gloves and safety glasses when handling a battery.
- Dispose of battery, observing local regulations.



D004



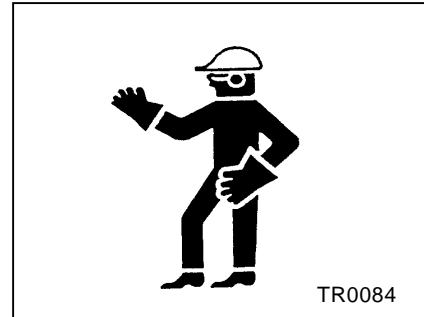
TR0093

1.Safety

WARNING

Safety outfit

- When handling machine, do not wear;
 - loose clothes
 - clothes with unbuttoned sleeves
 - hanging tie or scarf
 - dangling jewelry
- Such outfit could be caught in the machine or dragged in the rotating portion of the machine, and could cause a serious injury.



WARNING

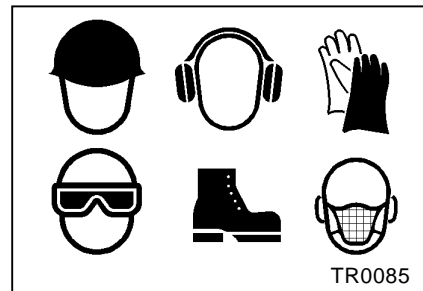
Maintain both physical and mental health

- Do not operate the machine when you are tired or drunk or under the influence of drugs. Otherwise, a hasty conclusion or careless handling may cause unexpected injury or accident. Manage your physical and mental health and be cautious in handling the machine.

CAUTION

Protection equipments

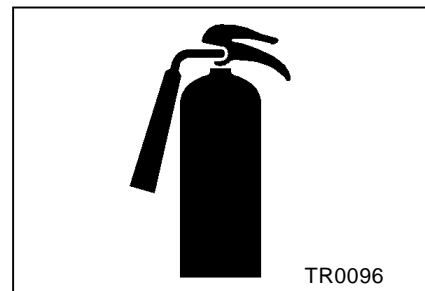
- Please wear protection implements, such as a helmet, protection glasses, earplugs, safety shoes, a glove, and a protection-against-dust mask, according to the contents of work for safety.



CAUTION

Safety fittings

- Have first-aid boxes and fire-extinguishers near the unit ready for emergency situations such as injuries and a fire.
- It is advisable to have a list of phone numbers of doctors, ambulance and the fire department available in case of emergency.



CAUTION

Safety around the machine

- Such things as unnecessary equipment and tools, cables, hoods, canvas sheets and pieces of wood which are a hindrance to the job, have to be cleared and removed. This is because operators and personnel nearby may stumble on them and may be injured.

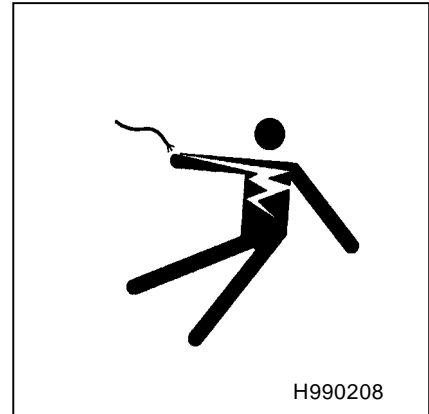
1.Safety

1.2 Caution during Operation



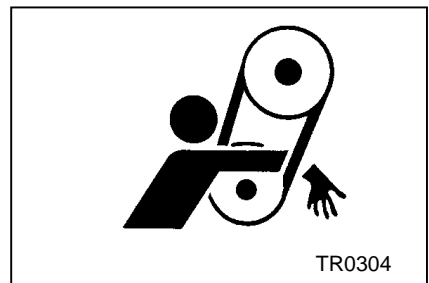
Never touch the output terminals and interior of control board

- Never touch the output terminals during operation.
- Notice that the voltage of several hundreds volt is applied to the output terminal.
- When removing or connecting a connecting cable for changing load, be sure to switch OFF the circuit breaker, remove the starter key from the starter switch, then carry out a work. The operator must keep the key during operation.
Neglecting the cautions mentioned above, and a third party starting the machine during operation may cause serious accidents such as electric shock.
- Never touch the interior of the control panel during operation.
- Notice that the voltage of several hundreds volt is applied to the interior of the control board.
- When checking or operating the interior of control panel, be sure to stop the machine, remove the starter key from the starter switch, then carry out a work. The operator must keep the key during operation.



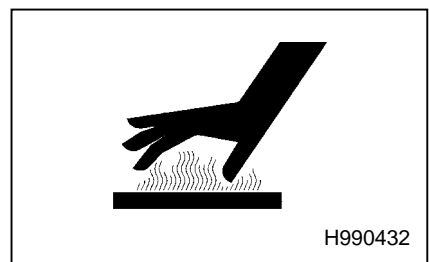
Hands off from rotating parts and belts

- Keep hands off from the rotating portion or belts while running. It could cause serious injuries if hands should be caught in.



Do not remove radiator cap during operation

- Do not, under any circumstance, open the radiator cap while running or immediately after stopping operation. Otherwise high temperature steam jets out and this could cause scalding.

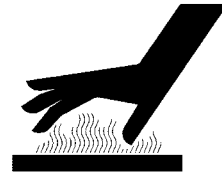


1.Safety

CAUTION

Do not touch hot parts

- Never work nearby hot portions of the machine while it is running.
- Do not touch hot portions of the machine while inspecting the machine when running.
- Such parts as engine, exhaust manifold, exhaust pipe, muffler, and radiator are especially hot, so never touch those parts, because it could cause scalding.
- Coolant water and engine oil are also very hot and dangerous to touch. Avoid checking or refilling them while the unit is running.



H990432

CAUTION

Fire prevention

- Do not, under any circumstance, bring lit cigarettes or matches near such oils as diesel fuel oil, and engine oil, etc. They are extremely flammable and dangerous, so be careful when handling.
- Refilling oils should be done in an outdoor well-ventilated place.
- Refuel after stopping the engine, and never leave the fuel nearby the machine. Do not spill. It may cause a fire. When it is spilt, wipe it up completely.
- Do not supply fuel up to the fuel cap. And then the fuel may get spilt when the unit is moved, transported and it is vibrating.
- Such parts as muffler and exhaust pipe can be extremely hot. Remove twigs, dried leaves, dried grass and waste paper, etc. from the exhaust outlet of the muffler.
- Keep a fire extinguisher available by the machine in case of unexpected fire.



D004



H990433

WARNING

Draining during operation prohibited

- Do not, under any circumstance, open the portions below during operation.
- Coolant drain valve and plug
- Engine oil drain plug



PK0028

WARNING

Unbalance of overload and load

- Reduce the load when the circuit breaker actuates frequently during operation.
- When a single-load is used, check the current of each phase, and adjust the load so that each load value should be balanced.
- If the above procedure is neglected during operation, the generator could be burned or it could cause a fire. If the machine is operated with the frequency lower than the rated frequency, it could cause the generator or load motor to be burned.

1. Safety

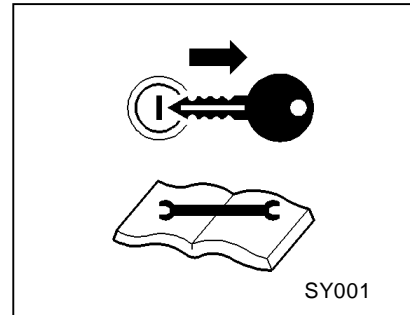
1.3 Cautions during Inspection and Maintenance



WARNING

Hang a “Now Checking and under Maintenance” tag

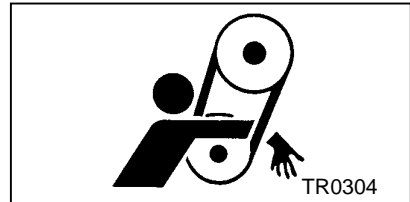
- Before starting inspection, switch off the circuit breaker of this machine, remove the starter key from the starter switch, and then hang a “Now Checking and under Maintenance” tag where it can be easily seen. The checker must keep the key during checking and maintenance.
- Remove the negative (-) side cable from the battery.
If the above procedure is neglected, and another person starts operating the machine during check or maintenance, it could cause serious injury.



WARNING

Adjusting tension of fan belt

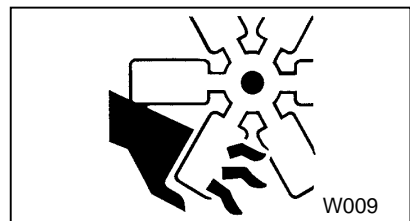
- Be sure to stop the engine and remove the starter key whenever the tension of the fan belt is to be adjusted.
- If the machine is running, it might catch the operator’s hand into the fan belts, and this could cause a serious injury.



WARNING

Hands off from cooling fan

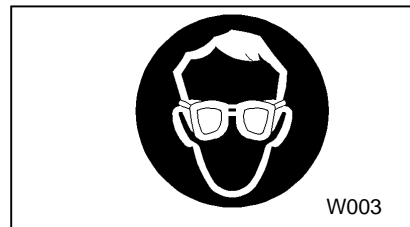
- Be sure to stop the engine and remove the starter key whenever check or maintenance work is carried out near the cooling fan.
- If the cooling fan is rotating, it may catch the operator or part of his body into the fan, and it could cause a serious injury.



WARNING

Cleaning by air-blow

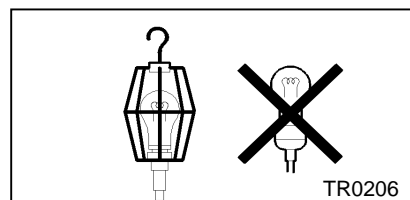
- When cleaning dust accumulated in such devices as the air-filter, etc., by blowing compressed air, wear safety glasses, etc. to protect your eyes.



CAUTION

Lighting apparatus

- It is recommended to use a lamp with safety guard fitted where the site is dark. Operating the machine gropingly or by relying on one’s intuition could cause unexpected accidents.
- Any lamps without safety guard are not recommended since they can be broken and they could ignite flammables such as fuel, etc.

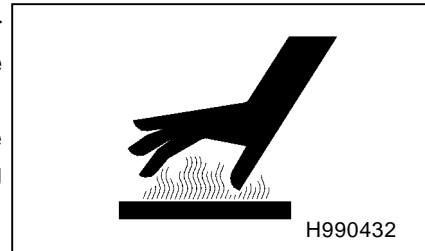


1.Safety

CAUTION

Taking off the radiator cap

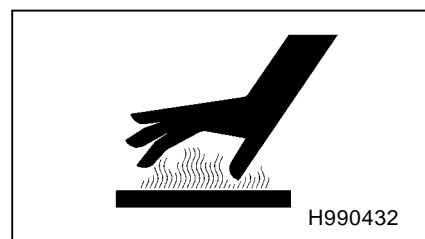
- Be sure to stop the machine first and then loosen the radiator cap slowly, after the coolant water is sufficiently cooled and the inner pressure is released.
If this procedure is neglected, its inner pressure can blow off the cap, and steam jetting out of the radiator could result in causing scalding. Follow these procedures under all circumstances.



CAUTION

Opening coolant water drain valve

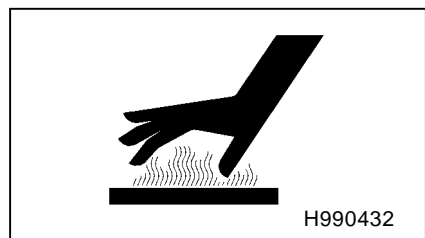
- Be sure to stop the engine, and let the coolant water sufficiently cool down before draining it.
- If the drain valve is opened before the coolant water is cooled enough, hot water could jet out, and it could cause scalding.



CAUTION

Refilling or draining of engine oil

- After stopping the engine, wait 10 to 20 minutes until the engine oil cools off. Then check the level of the engine oil, or refill or drain the oil.
- During operation or immediately after the engine stops, its oil is extremely hot and pressurized, so it may jet out when the cap is loosened. Be careful not to scald yourself from it.



CAUTION

Cleaning the unit

- When washing the machine, cover the control panel, generator and its electric parts to prevent them from being exposed to splashing water and avoid possible decrease in electrical insulation or other troubles to the machine.

CAUTION

Disposal of waste liquid, etc.

- Waste liquid from the machine contains harmful material. Do not discharge it onto the ground or into the river, lake or sea. Such material will pollute the environment.
- Be sure to use a container to hold the waste liquid from the machine.
- Be sure to follow the designated regulations when disposing of oil, fuel, coolant (antifreeze), filter, battery or other harmful materials.










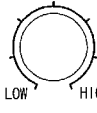


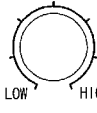


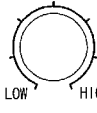


1. Safety

1.4 Safety Warning Labels

Following labels are attached to the machine.

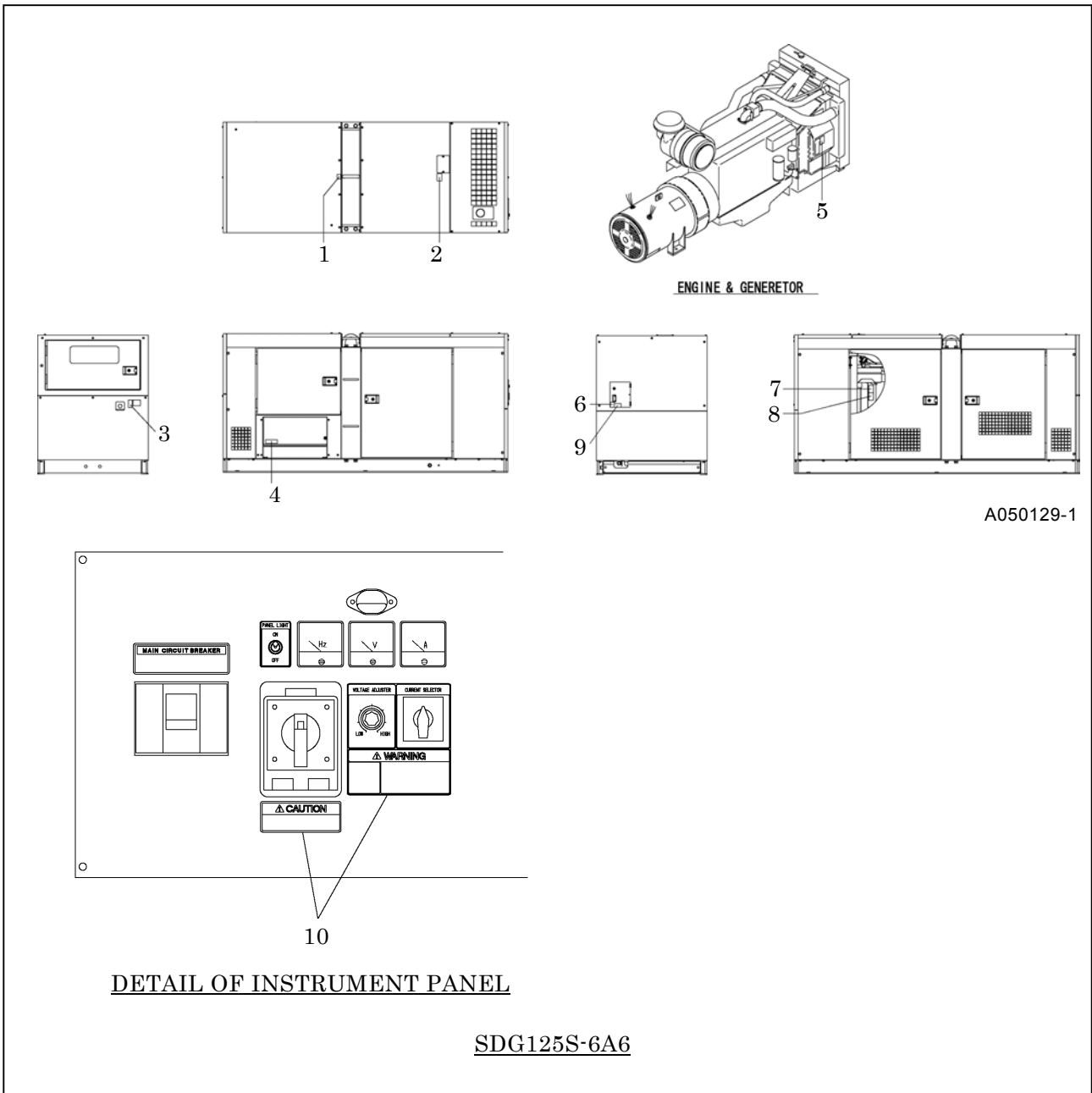
Keep them clean at all times. If they are damaged or missing, immediately place an order with your nearest dealer for replacement. Part numbers are indicated on the lower right corner of the label.

Adhere a new one to the original location.

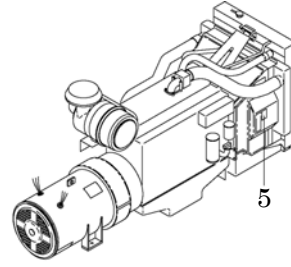
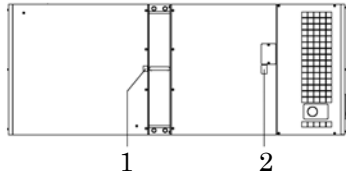
<p>1</p>  <p>LIFTING BAIL</p> <p>39176 69300</p>	<p>2</p> <p>CAUTION</p>  <p>PREVENT BURNING ACCIDENT</p> <p>Do not open radiator cap while it is still hot.</p> <p>39176 69600</p>	<p>3</p> <p>WARNING</p>  <p>BEWARE OF EXHAUST GASES</p> <p>When you operate machine INDOORS or in TUNNEL, provide good ventilation. Poor ventilation can cause fatal accident.</p> <p>39176 73300</p>	<p>4</p>  <p>WARNING</p> <p>Do not touch live electrical parts. Always wear dry insulating gloves. Do not operate the unit in the rain, around standing water or when wet. Maintain all electrical cords and connections in proper condition. Always ground the generator to earth before operating.</p> <p>39176 62000</p>							
<p>5</p> <p>WARNING</p>  <p>BEWARE OF ENTANGLEMENT</p> <p>Keep your hands AWAY from fan during operation. Entanglement in the fan can cause serious injury.</p> <p>39176 73500</p>	<p>6</p>  <p>FLAMMABLES</p> <p>39176 35600</p>	<p>7</p> <p>CAUTION</p>  <p>PREVENT BURNING ACCIDENT</p> <p>When work is required near hot parts, wait for the parts to cool down fully before starting work.</p> <p>39176 69500</p>	<p>8</p> <p>WARNING</p>  <p>BEWARE OF ENTANGLEMENT</p> <p>Keep your hands AWAY from moving parts such as V-belts, pileys etc. Entanglement in them can cause serious injury.</p> <p>39176 73800</p>	<p>9</p>  <p>DIESEL FUEL</p> <p>39176 72500</p>						
<p>10</p> <table border="1"> <tr> <td data-bbox="199 1444 494 1534"> <p>MAIN CIRCUIT BREAKER</p> <p>Main breaker must be "ON" to power terminal connections and single-phase receptacle plugs.</p> </td> <td data-bbox="518 1444 774 1534"> <p>CAUTION</p> <p>DO NOT SWITCH WHILE UNIT IS RUNNING</p> </td> </tr> <tr> <td data-bbox="199 1556 343 1758"> <p>VOLTAGE ADJUSTER</p>  </td> <td data-bbox="351 1556 518 1758"> <p>CURRENT SELECTOR</p>  </td> </tr> <tr> <td colspan="2" data-bbox="199 1769 518 1915"> <p>WARNING</p>  <p>Do not touch live electrical parts. Always wear dry insulating gloves. Do not operate the unit in the rain, around standing water or when wet. Maintain all electrical cords and connections in proper condition. Always ground the generator to earth before operating.</p> </td> </tr> </table> <p>39178 50820</p>					<p>MAIN CIRCUIT BREAKER</p> <p>Main breaker must be "ON" to power terminal connections and single-phase receptacle plugs.</p>	<p>CAUTION</p> <p>DO NOT SWITCH WHILE UNIT IS RUNNING</p>	<p>VOLTAGE ADJUSTER</p> 	<p>CURRENT SELECTOR</p> 	<p>WARNING</p>  <p>Do not touch live electrical parts. Always wear dry insulating gloves. Do not operate the unit in the rain, around standing water or when wet. Maintain all electrical cords and connections in proper condition. Always ground the generator to earth before operating.</p>	
<p>MAIN CIRCUIT BREAKER</p> <p>Main breaker must be "ON" to power terminal connections and single-phase receptacle plugs.</p>	<p>CAUTION</p> <p>DO NOT SWITCH WHILE UNIT IS RUNNING</p>									
<p>VOLTAGE ADJUSTER</p> 	<p>CURRENT SELECTOR</p> 									
<p>WARNING</p>  <p>Do not touch live electrical parts. Always wear dry insulating gloves. Do not operate the unit in the rain, around standing water or when wet. Maintain all electrical cords and connections in proper condition. Always ground the generator to earth before operating.</p>										

1.Safety

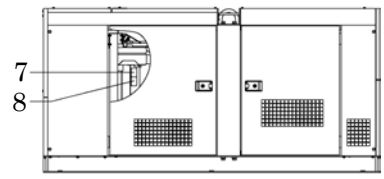
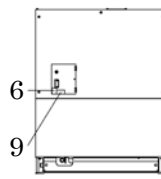
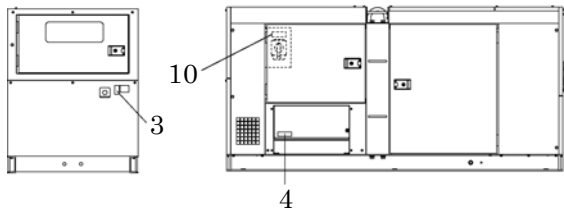
- The pasting position of safe warning label is as follows.



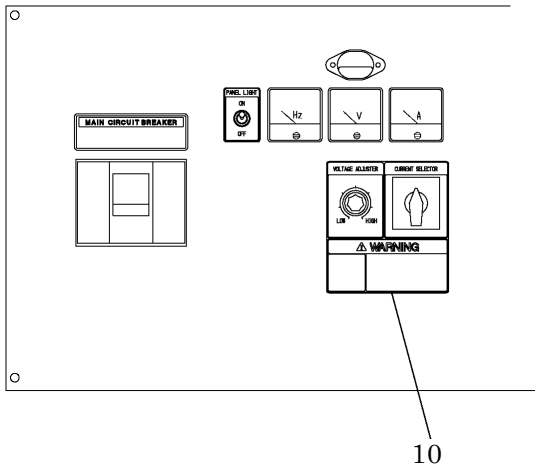
1.Safety



ENGINE & GENERATOR



A050583

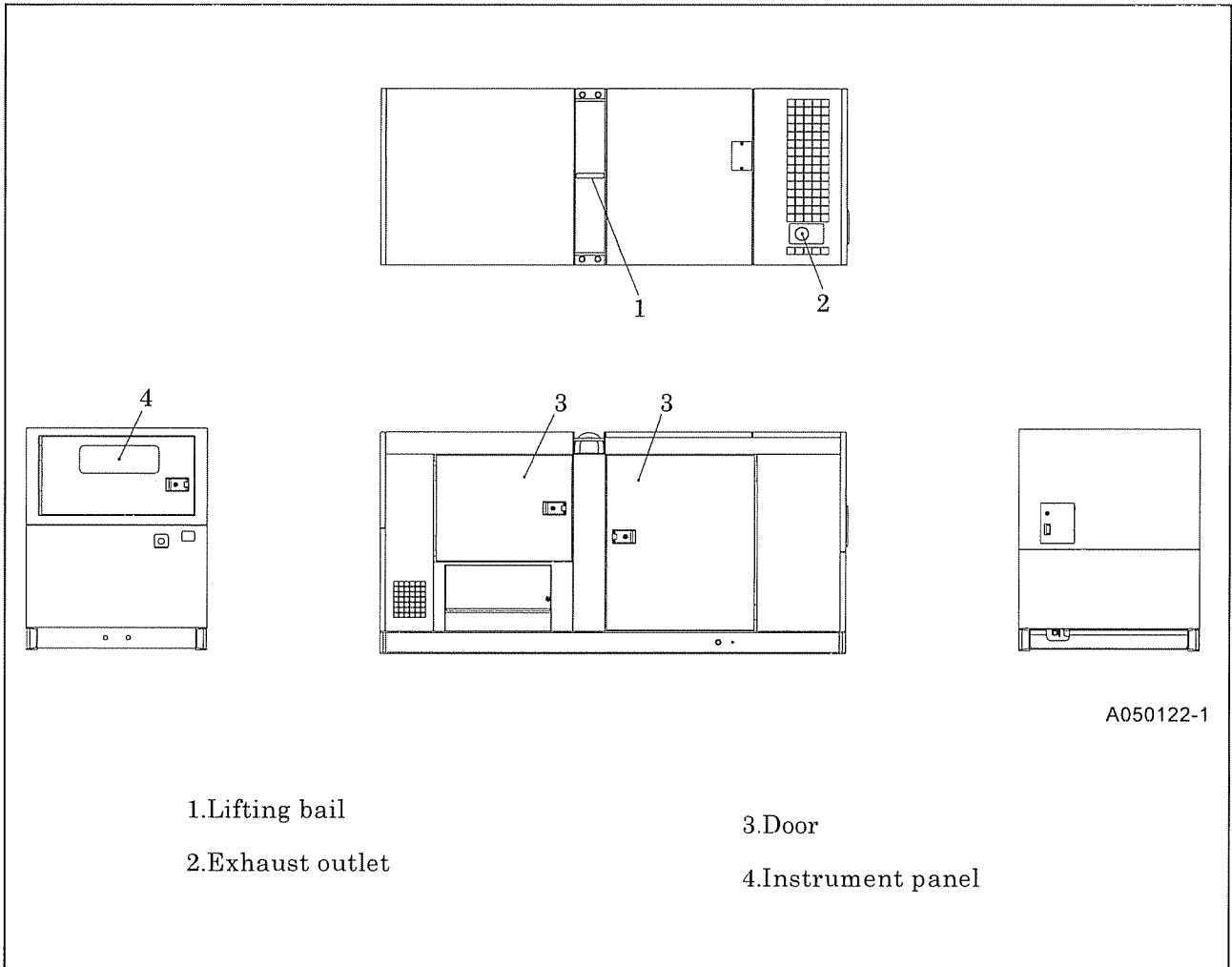


DETAIL OF INSTRUMENT PANEL

SDG150S-6A6

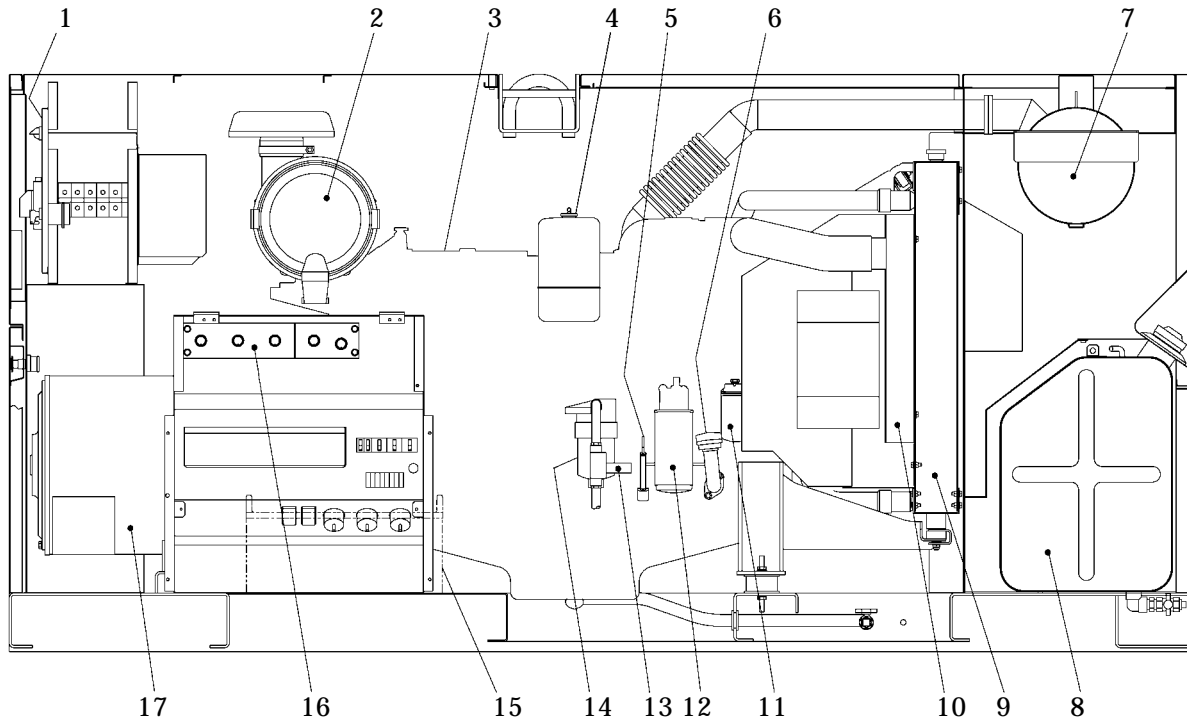
2. Part Names

2.1 Unit Appearance and Part Names



2. Part Names

2.2 Internal Components



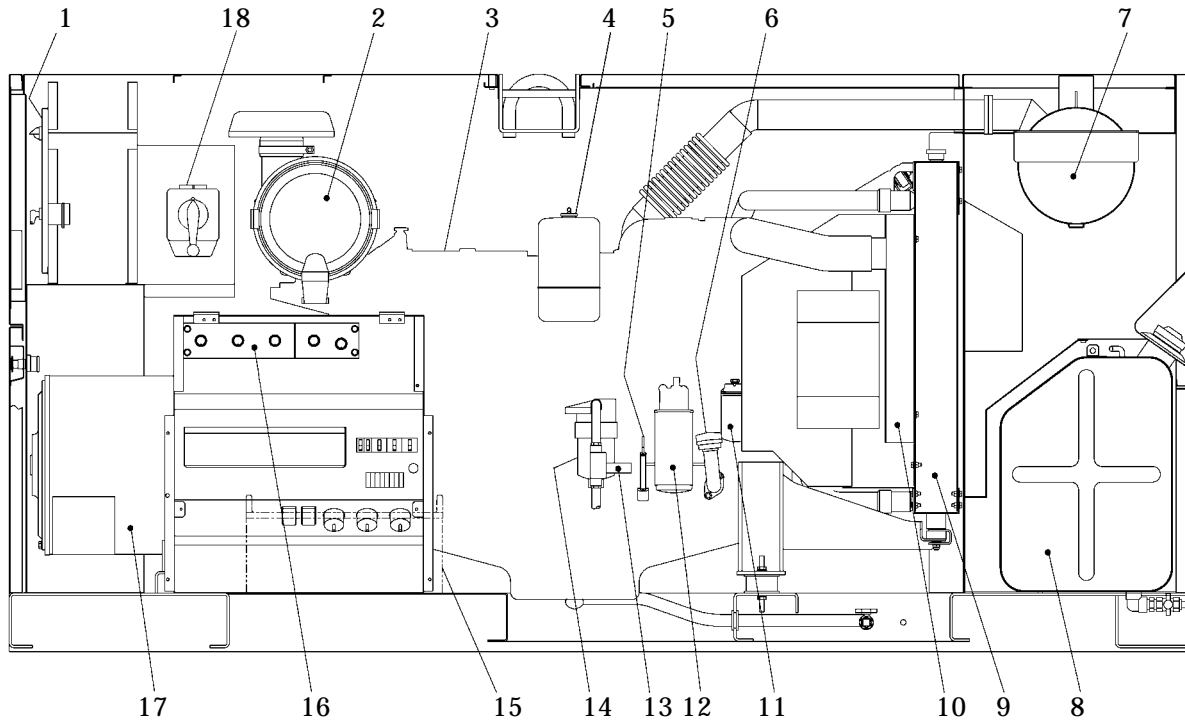
SDG125S-6A6

A050157-1

- | | |
|---------------------------|-------------------------|
| 1. Control panel | 9. Radiator |
| 2. Air filter | 10. Intercooler |
| 3. Engine | 11. Fuel filter |
| 4. Reserve tank | 12. Engine oil filter |
| 5. Engine oil filler port | 13. Fuel pump |
| 6. Engine oil level gauge | 14. Fuel pre- filter |
| 7. Exhaust muffler | 15. Battery |
| 8. Fuel tank | 16. Output terminals |
| | 17. Generator main unit |

Instrument 15 marked “ ” are provided on the other side.
(opposite side of maintenance).

2. Part Names



SDG150S-6A6

A050585

- | | |
|---------------------------|-----------------------------|
| 1. Control panel | 9. Radiator |
| 2. Air filter | 10. Intercooler |
| 3. Engine | 11. Fuel filter |
| 4. Reserve tank | 12. Engine oil filter |
| 5. Engine oil filler port | 13. Fuel pump |
| 6. Engine oil level gauge | 14. Fuel pre- filter |
| 7. Exhaust muffler | 15. Battery |
| 8. Fuel tank | 16. Output terminals |
| | 17. Generator main unit |
| | 18. Voltage selector switch |

Instrument 15 marked “ ” are provided on the other side.
(opposite side of maintenance).

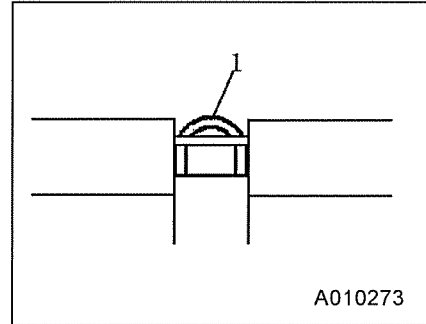
3. Installation

3.1 Transporting Unit



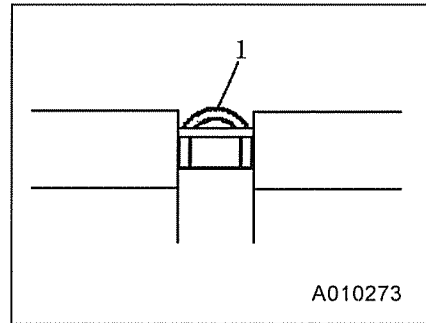
Transportation

- Use the lifting bail “1” at the center of bonnet for hoisting up and down the machine.
Since the rope hook is not strong enough to be used for hoisting, never use it to prevent falling accident.
- When transporting the machine, be sure to put it on the truck bed and use the rope hooks to secure it with rope
- Do not hoist up the machine while it is running. Otherwise, a fatal trouble or serious accident may occur.



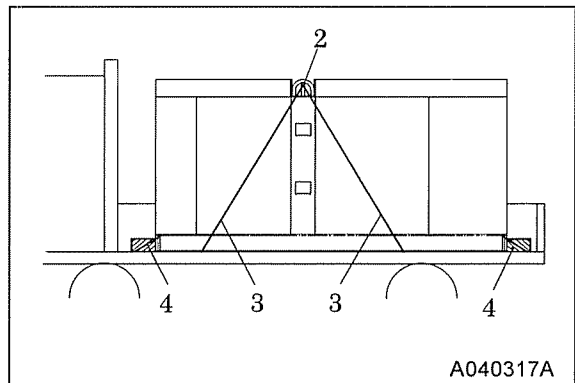
3.1.1 Lifting

- Use the lifting bail “1” fitted on center of bonnet.
- Select an appropriate crane or truck by referring to the mass and dimensions mentioned in “Specifications”.
- Only a qualified crane operator is allowed to operate a crane.



3.1.2 Securing a machine on truck bed when transporting

- When moving or transporting a machine from site, place it on truck bed and fasten it by ropes “3” at two hooks “2” on both right and left sides and 4 points on the common frame.



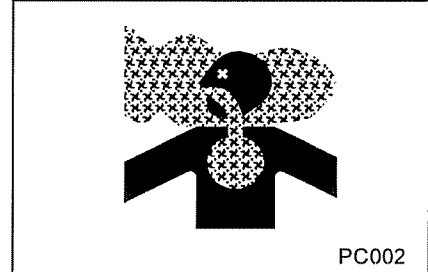
3. Installation

3.2 Place and Conditions of Unit Installation

⚠ WARNING

Ventilation

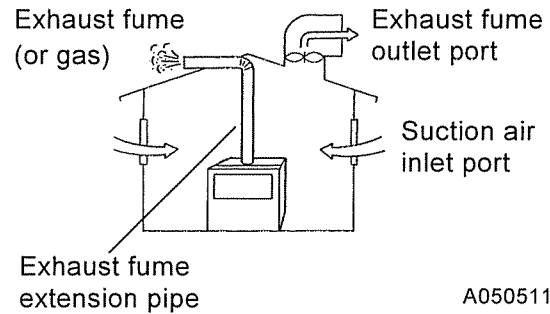
- Exhaust gas from the engine is poisonous, and it could cause casualties when it is inhaled.
Avoid using the machine in an insufficiently ventilated building or a tunnel.



⚠ WARNING

In case that the unit is installed indoors

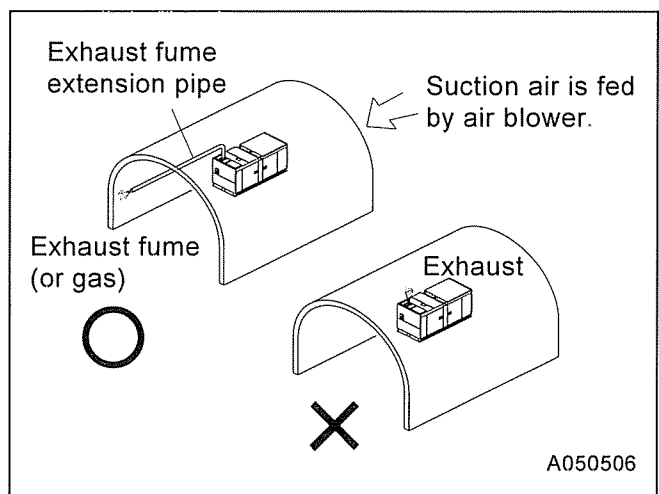
- In case that the unit is installed indoors for operation, suction air port and exhaust fume outlet port should be provided for better air ventilation.
- Make sure to secure enough space in front of air suction port and also to secure it after exhaust fume outlet port so that the engine may not get overheated.
- Exhaust fume pipe extension should be provided to send exhaust fume out of the installation place.



⚠ WARNING

Installing the unit st such poorly-ventilated place

- In case that the unit is installed inside any tunnel, make sure to provide fresh air and ventilate it.
- In this case, make sure to extend the exhaust fume pipe outdoors, and also make sure to prevent any leak from any connection pipes. In case that the unit is operated under exhaust air pressure, make sure to install the exhaust pipe to be supported.

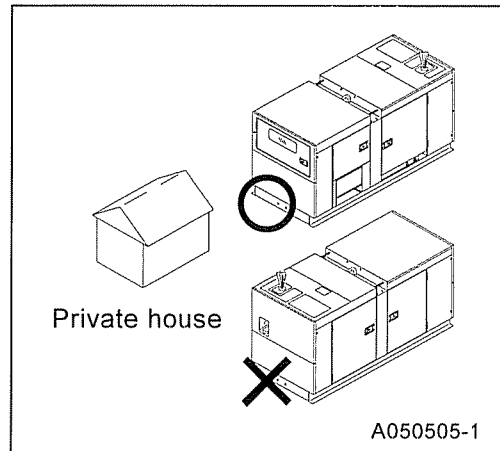


3. Installation

WARNING

How to locate the unit

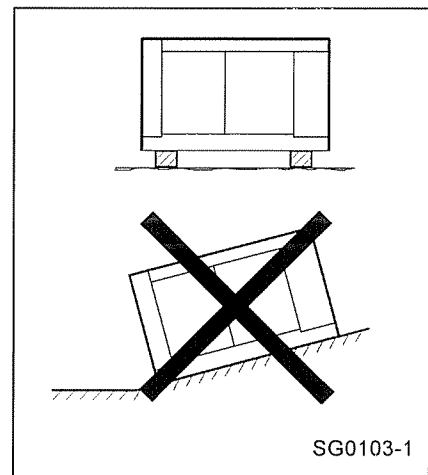
- Never locate the unit with the exhaust muffler facing any private house:
- As the exhaust fume (gas) from the engine is poisonous, never direct it to any other persons passing by.



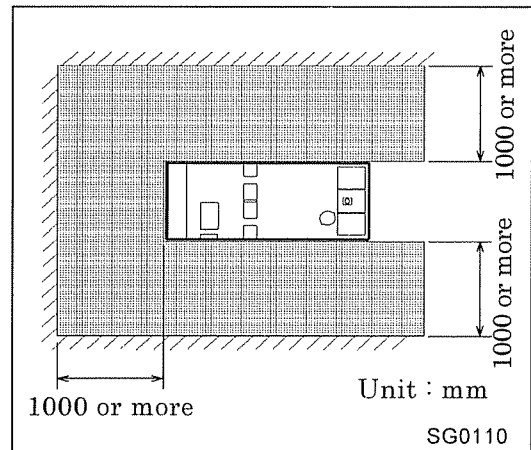
CAUTION

Installation

- The machine has to be installed on dry, firm, and level area.
- Avoid installing the machine in a place such as a damp place or a place where puddles are apt to be formed after rain. Such installation could cause electric shock.
- Do not direct the exhaust gas outlet to people nearby or houses in the vicinity.
- When installing the machine at the sea shore or on a ship, make sure that the machine should not be exposed directly to sea water.
- When installing the machine at a sandy place, make sure that exhaust from the generator or radiator does not blow the sand up in the air, or into the machine.
- In case that the unit has to be installed inevitably on any rough and uneven ground; it is necessary to insert square wooden bars under the unit for levelling it:



- The machine should be operated in following conditions:
 - Ambient temperature -15°C to $+40^{\circ}\text{C}$
 - Humidity ----- Less than 85%
 - Altitude ----- Lower than 500 m above sea level
- If more than two machines are placed parallel in operation, keep enough distance so that exhaust air from one machine does not effect the other one.
- Keep enough space around the unit for inspection and maintenance access.

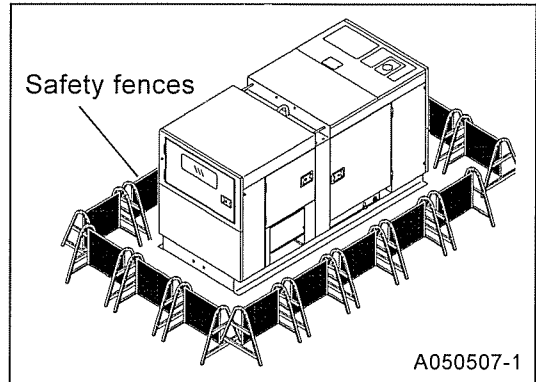


3. Installation

CAUTION

Preparation of safety fences

- In order to prevent from entering the jobsite or touching the equipment any other persons than the persons engaged in the job, please prepare for safety fences around the unit:



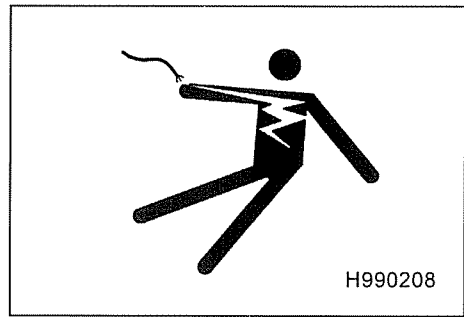
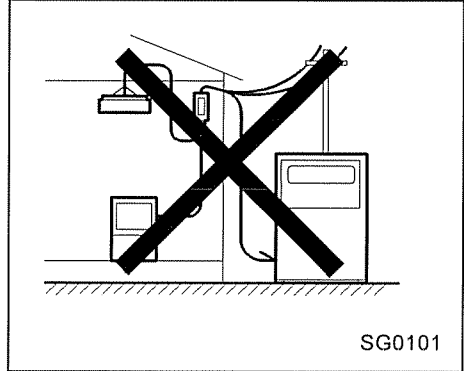
3. Installation

3.3 Connecting Load

⚠ WARNING

Electric shock and electric leak

- Make sure not to connect the output terminal of the machine with the commercial power source from electric power company. It may cause an electric shock, machine troubles and even a fire.
- Make sure to ground the machine and the load. It could cause an electric shock when the machine is installed at a damp place or on a steel frame or a steel plate.
- Never touch the output terminals during operation.
- Notice that the voltage of several hundreds volt is applied to the output terminal.
- When removing or connecting a connecting cable for changing load, be sure to switch OFF the circuit breaker, remove the starter key from the starter switch, then carry out a work. The operator must keep the key during operation.
- For a connecting cable to load, do not use a cable with damaged sheath nor an inappropriate insulation cable to the voltage.
Secure connections between each cable terminal and input/output terminal. Otherwise, it may be slacked during operation and may cause a fire or an electric shock accident.



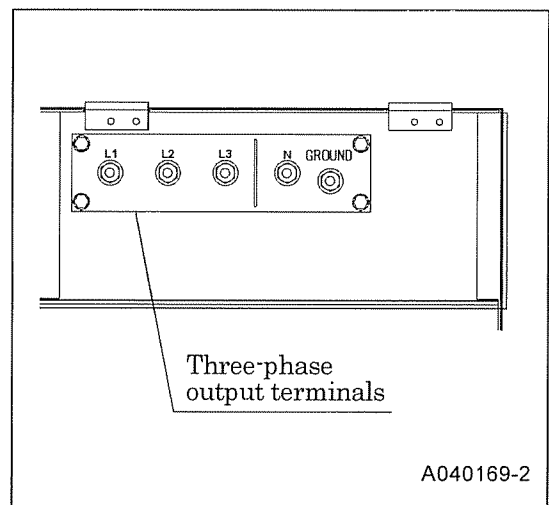
⚠ CAUTION

- When using a single-phase load [277V or 139V], see to it that the loads on the different phases will be evenly balanced. Unbalanced loads may cause the generator burning.

- Select a cable with sufficient diameter by considering the load capacity and the distance from the generator to the load. Use terminals for connection and securely fasten them.
- After checking phase number and voltage of the load, make sure to connect them correctly.

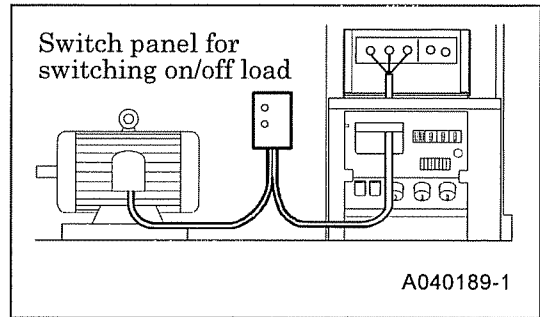
—Terminal size—

Three phase output (L1,L2,L3,N)	M14
Leakage relay ground terminal(G)	M14



3. Installation

- Install a switch between the output terminal and the load to switch on/off the load. Do not switch the load on/off directly by the circuit-breaker of the generator. It could cause damage to the circuit-breaker.
- Connect the connecting cable to the load so that the output terminals should not touch each other.

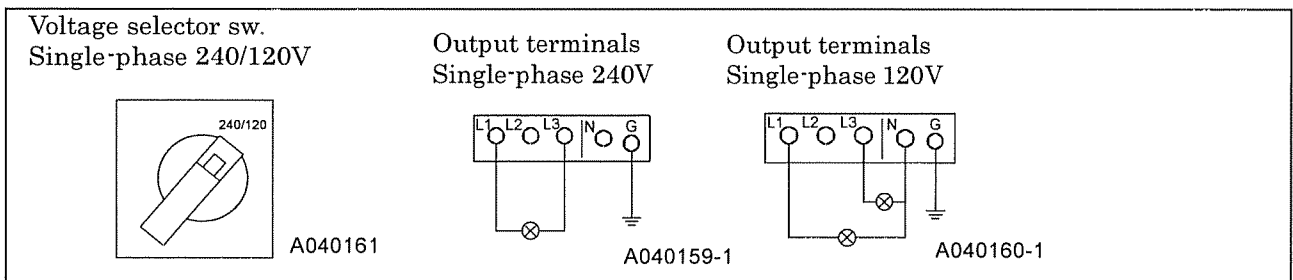
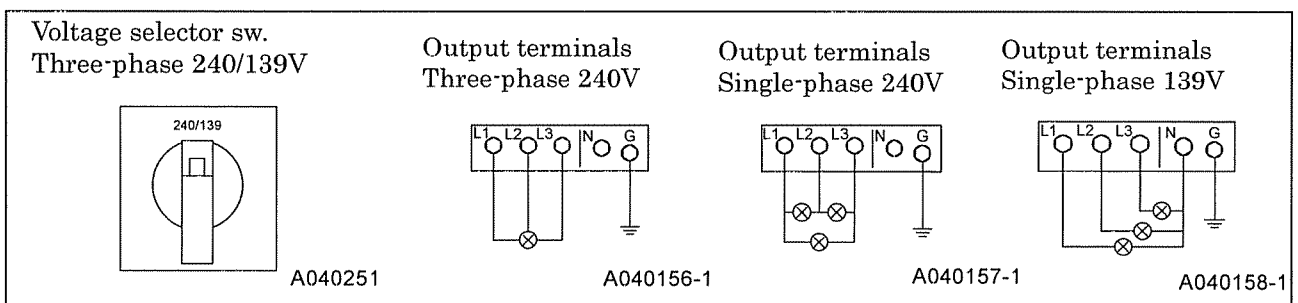
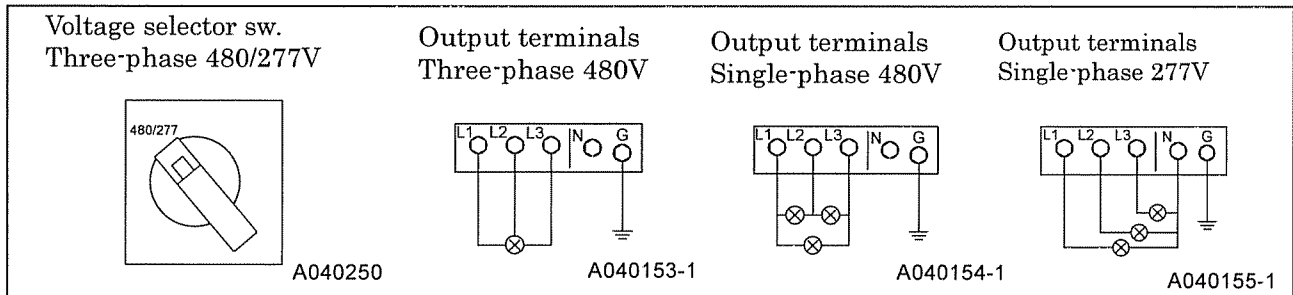
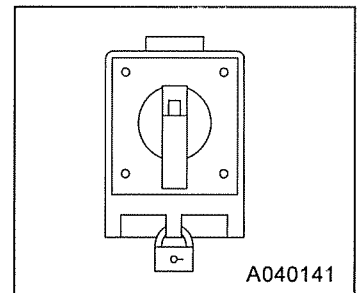


3.3.1 Proper Connection of Three-phase Four-wire Type Terminal

CAUTION

Never use voltage selector switch during operation

- During operation, do not operate voltage selector switch. Voltage selection during operation may cause abnormal voltage on the load side to damage the load and may cause a fire.
- In addition it could cause damage to generator and automatic voltage regulator (AVR).
- Be sure to shut off generator before using voltage selector switch.
- When voltage selection is completed, lock the voltage selector switch in position to prevent anyone from operating it.

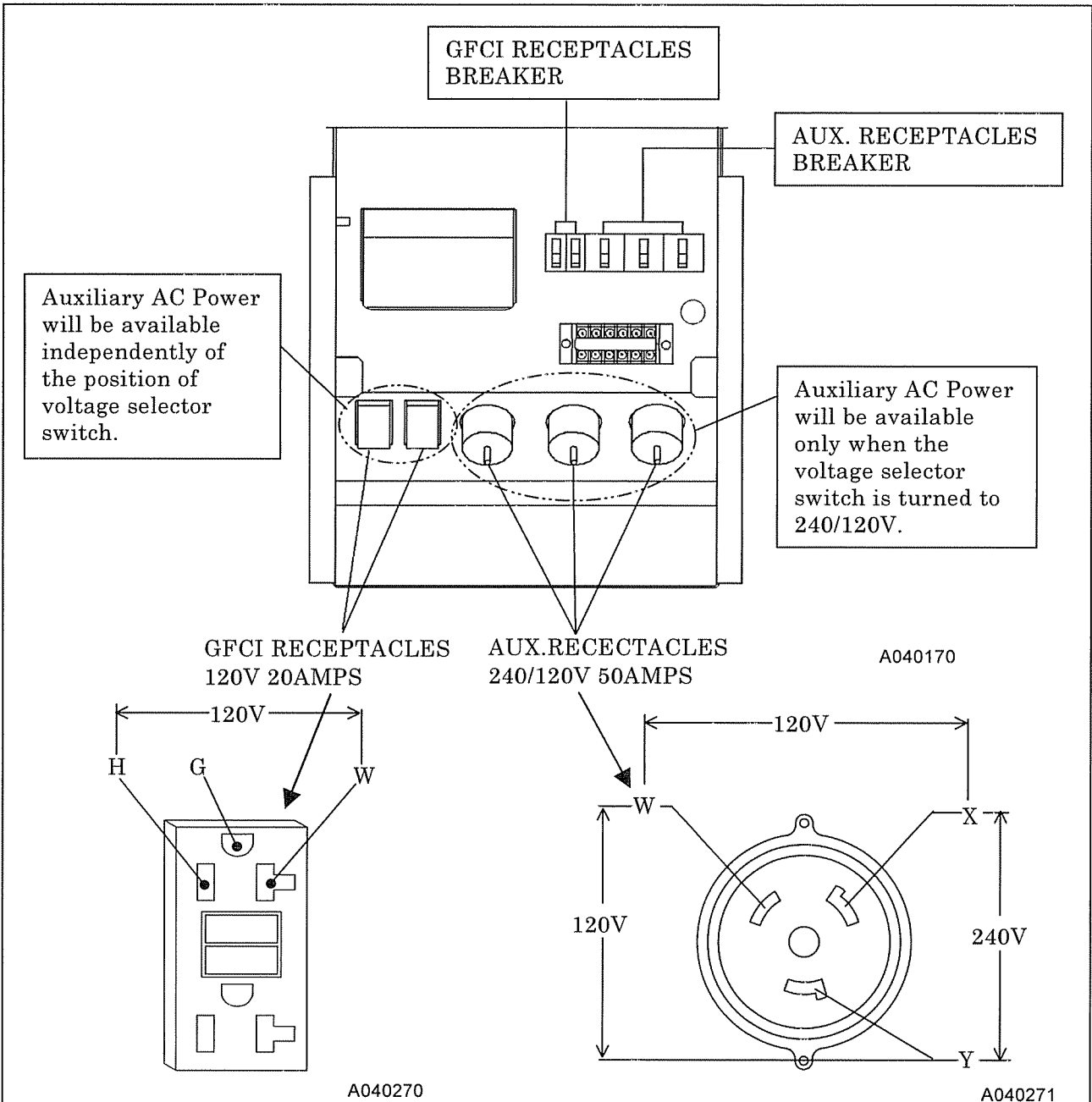


NOTE;

When the voltage selector switch is in the single-phase 240/120V position, place the ammeter change-over switch to the L1 or L3 position to read the output.

3. Installation

3.3.2 Auxiliary AC Power



< How to use GFCI Receptacles >

It is available to get 1 phase/120V from GFCI receptacles independently of the position of voltage selector switch on the control panel.

(Procedure)

- ① Start the generator unit and turn the main breaker "ON" on the control panel.
- ② Turn the receptacle breaker of output terminal "ON".

< How to use aux. receptacles >

Aux. receptacles are available only when the voltage selector switch is turned to 240/120V on the control panel.

(Procedure)

- ① Turn the voltage selector switch to 240/120V on the control panel when the generator unit stops.
- ② Start the generator unit and turn the main breaker "ON" on the control panel.
- ③ Turn the receptacle breaker of output terminal "ON".

3. Installation

3.3.3 The Maximum Combined Simultaneous Power Consumption



- Never exceed the maximum combined simultaneous power consumption.

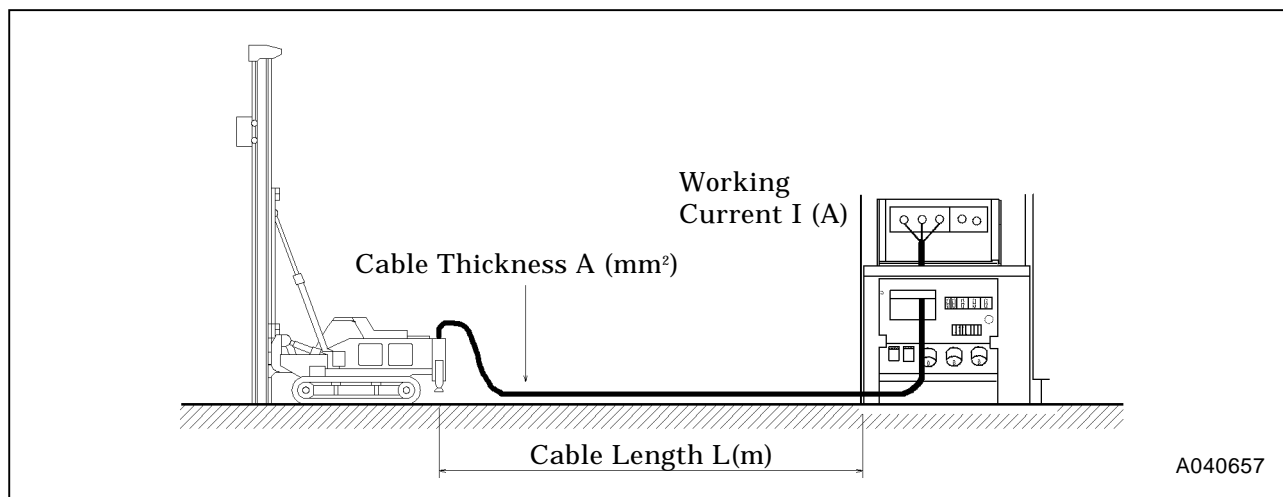
The following chart shows the maximum power available from the 120V-20A GFCI receptacles during simultaneous consumption (main terminals and receptacles) for both single or three phase settings. Values shown in the left column give the maximum current available at the 120V-20A GFCI receptacles compared to the value of the simultaneous current consumption from the main terminals.

Single Phase 120V-20A GFCI Rcept.	SDG125S		SDG150S	
	Three Phase 240/480V	Single Phase 240/120V	Three Phase 240/480V	Single Phase 240/120V
kW	kVA	kW	kVA	kW
0.0	125	72.0	150	87.0
1.2	121	70.8	146	85.8
2.4	117	69.6	142	84.6
3.6	113	68.4	138	83.4
4.8	108	67.2	133	82.2

3. Installation

3.4 Selecting Cable

- Select a cable with sufficient diameter by considering the permissible current on the cable and the distance from the generator to the load.
- If the current flowing to the load exceeds the permissible current of the cable, resultant overheating may burn the cable. Similarly, if the cable is too small in thickness to the length, the input voltage to the load will fall to cause the load input power to drop, as a result, the performance of the machine cannot be displayed.



- Simplified three-phase three-wire formula to seek voltage drop from cable length and working current. Select such a cable length and thickness so that the voltage drop will remain less than 5%.

Output system	Voltage drop	e : Voltage drop (V) e' : Voltage drop between an outside line or one line of each phase, and a neutral line (V)
Three-phase 3-wire Type	$e = \frac{30.8 \times L \times I}{1,000 \times A}$	A : Cable thickness (mm ²) L : Cable length (m) I : Working current (A)
Three-phase 4-wire Type	$e' = \frac{17.8 \times L \times I}{1,000 \times A}$	

- The following tables show the relations between the cabtyre cable length and the cable thickness (nominal cross-sectional area) suited to the working current. (Based on the condition that working voltage is 200 V, with voltage drop of 10V.)

Single-Conductor Cabtyre Cable

Unit:mm²

Current \ Length	50m	75m	100m	125m	150m	200m
50A	8	14	22	22	30	38
100A	22	30	38	50	50	60
150A	38	38	50	60	80	100

Three-Conductor Cabtyre Cable

Unit:mm²

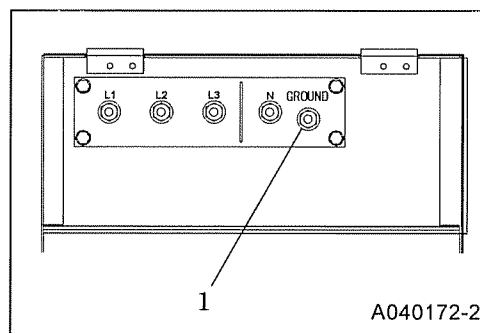
Current \ Length	50m	75m	100m	125m	150m	200m
50A	14	14	22	22	30	38
100A	38	38	38	50	50	60
150A	22 × 2	22 × 2	38 × 2	38 × 2	38 × 2	50 × 2

3. Installation

3.5 Grounding Method

3.5.1 Ground Terminal

The generator ground terminal “1” is connected to the frame of the generator, metal non-current-carrying generator parts and the ground terminals of each receptacle.



3.5.2 Connections to a Building's Electrical System

Connections for standby power to a building's electrical system must be made by a qualified electrician. The connection must isolate the generator power from utility power, and must comply with all applicable laws and electrical codes.

WARNING

- Improper connections to a building's electrical system can allow electrical current from the generator to backfeed into the utility lines. Such backfeed may electrocute utility company workers or others who contact the lines during a power outage. Consult the utility company or a qualified electrician.
- Improper connections to a building's electrical system can allow electrical current from the utility company to backfeed into the generator. When utility power is restored, the generator may explode, burn, or cause a fire in the building's electrical system.

3.5.3 Ground System

AIRMAN's generators have a system ground that connects generator frame components to the ground terminals in the AC output receptacles. The AC neutral wire is connected to the system ground.

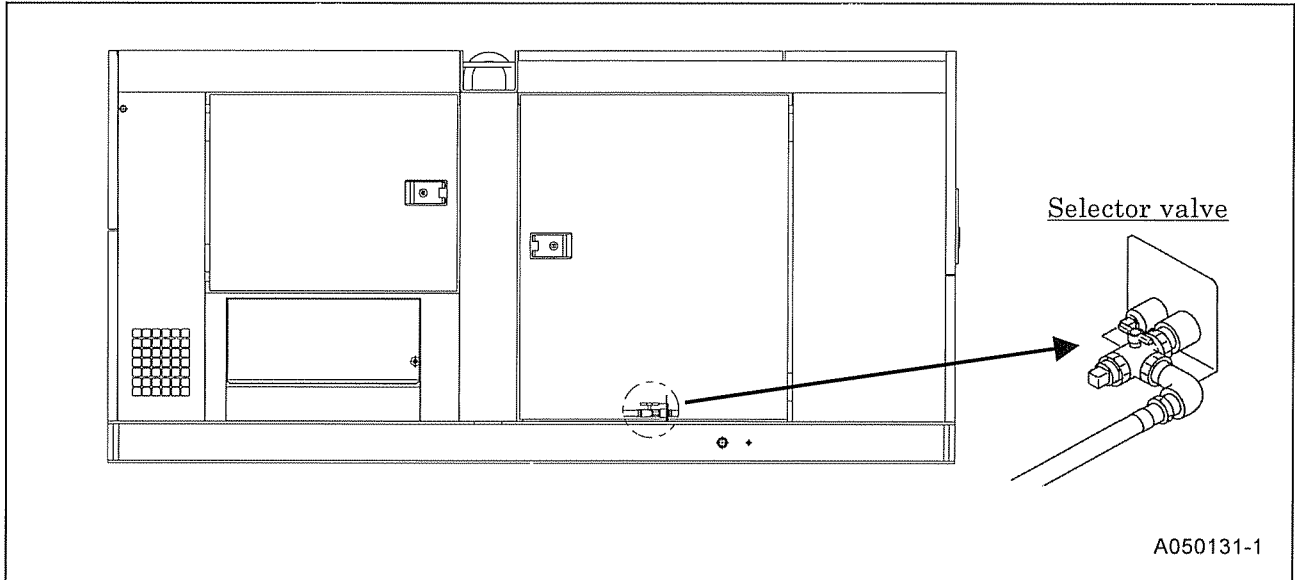
3. Installation

3.6 Selector Valve of Fuel Pipe

3.6.1 Selector valve

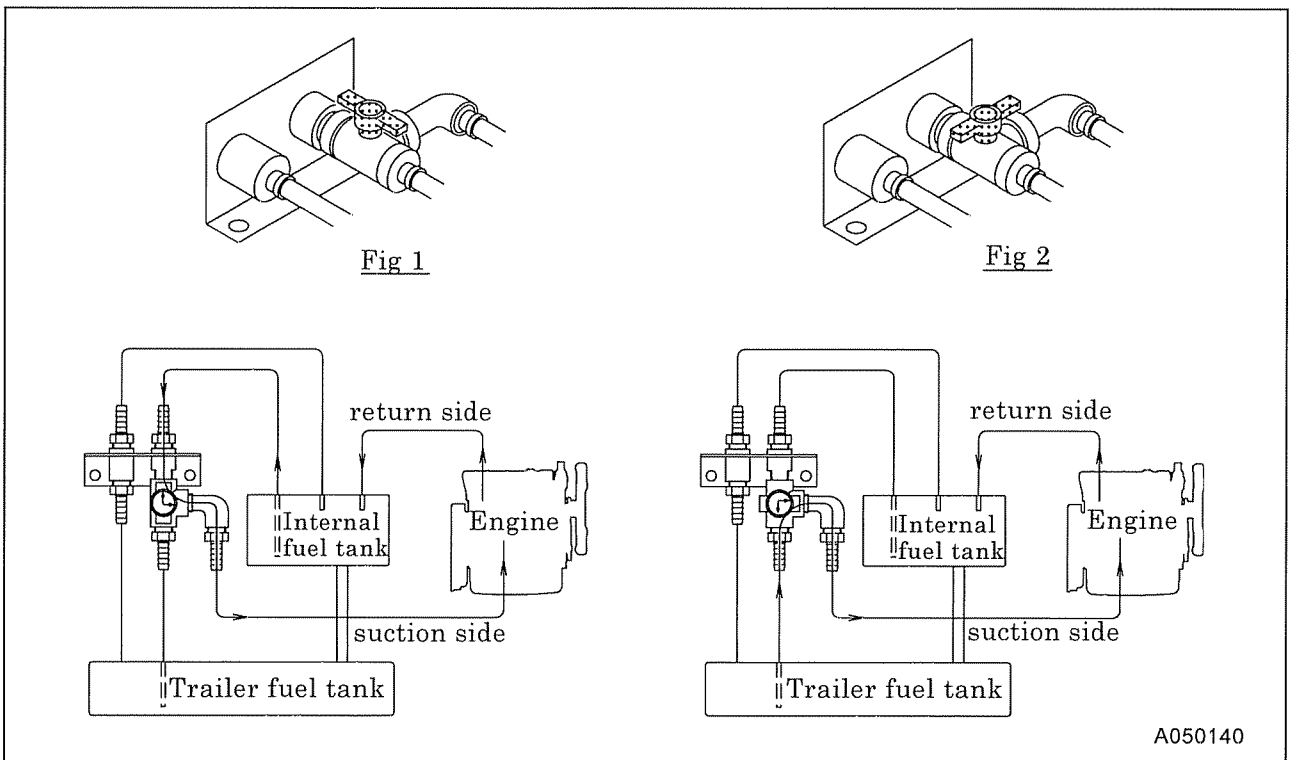
The selector valve is provided to supply fuel to the engine in the following cases.

1. When only the internal fuel tank of generator is used.
2. When both the internal fuel tank and trailer tank are used together.



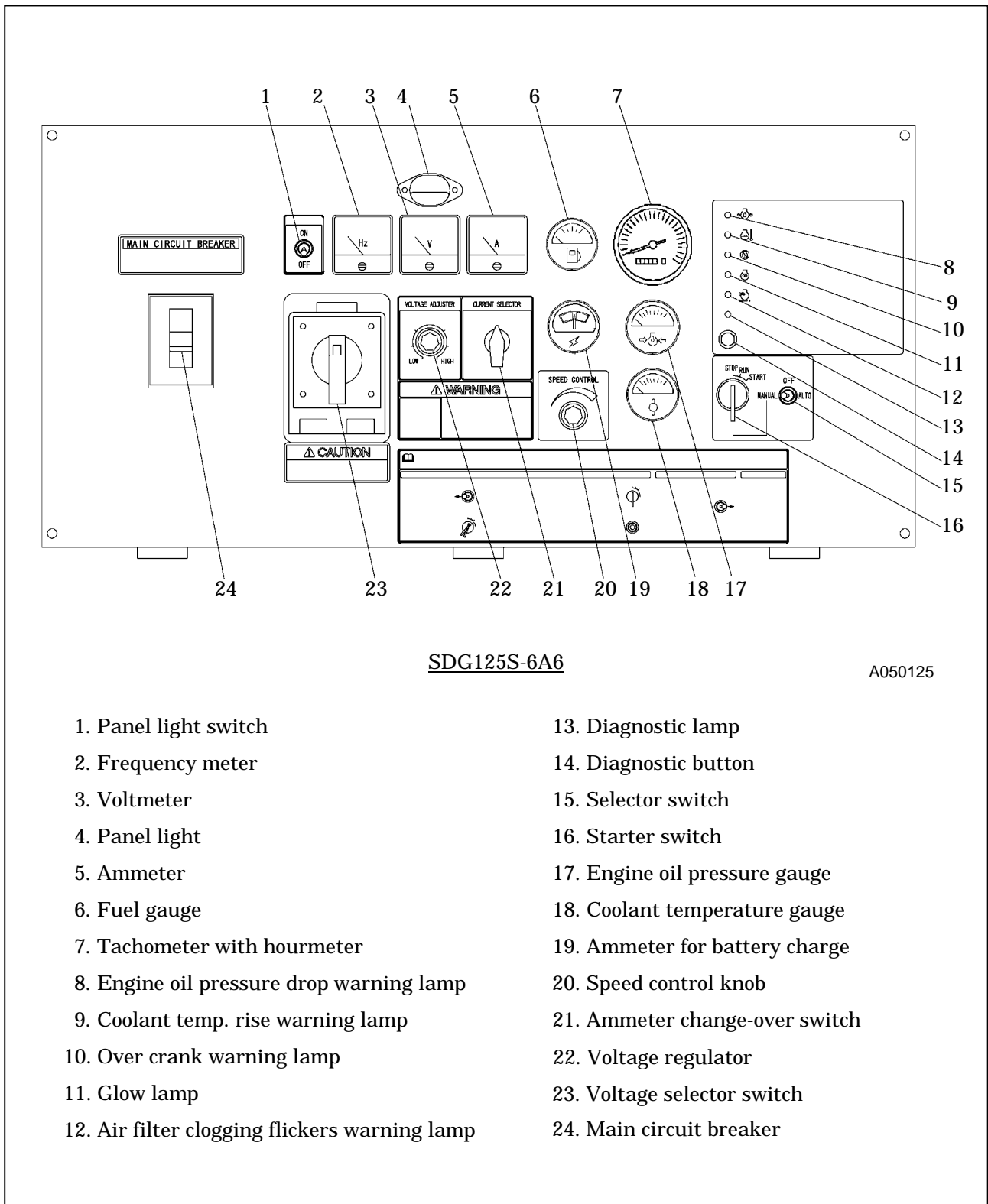
3.6.2 Operation method

1. Select the valve position as Fig. 1 when only the internal fuel tank of generator is used.
2. Select the valve position as Fig. 2 when both the internal fuel tank and trailer tank are used together.

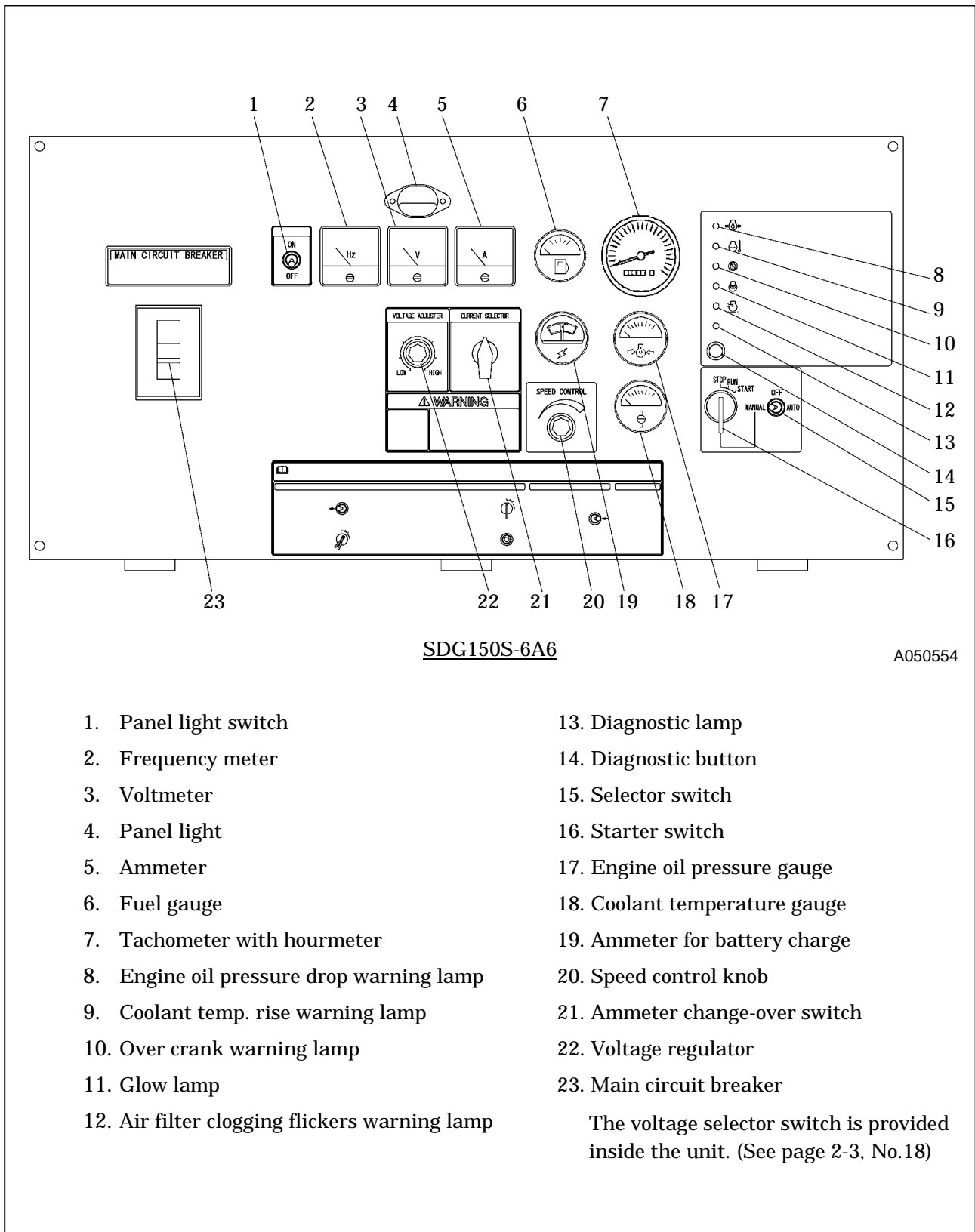


4. Operation

4.1 Instrument panel



4. Operation



4. Operation

4.2 Protection device



- For prevention of troubles during operation, this machine is provided with various protection devices. If the engine should shut down or circuit-breaker should trip owing to functions of the protection devices, make sure to check and remove such cause of trouble. Then start operation again.

4.2.1 Warning and Emergency Display lamp

Warning and Emergency Display

- When the warning lamp glows, stop the machine immediately and take appropriate measures to recover the situation.

Item	Trouble	Measures	Monitor
Engine oil pressure	This lamp goes on when engine oil pressure drops during operation and emergency stop is actuated. This lamp lights off after engine stops. Operating pressure: lower than 30psi (0.2MPa)	See 6.2 Troubleshooting	
Coolant temperature	This lamp goes on when coolant temp. rises. If coolant temp. rises more, engine takes emergency stop. When coolant temp. drops, this lamp lights off. Temp. of lamp on : 230 ° F (110) Temp. of emergency stop: 235 ° F (113) Temp. of lamp off : 228 ° F (109)		
Overcrank	This lamp goes on when operator fails to start engine, during automatic operation mode.		
Air filter	When air filter gets clogged and differential pressure rises, lamp goes on. Actuating differential pressure : more than 0.9psi(6.2 kPa)		
Diagnostic lamp	This lamp blinks when engine trouble happens. Then, a pattern of lamp signals changes if "DIAGNOSTIC BUTTON" is pushed. The pattern of lamp signals shows what's kind of trouble happens. Refer to "OPERATOR'S MANUAL"(P37).		

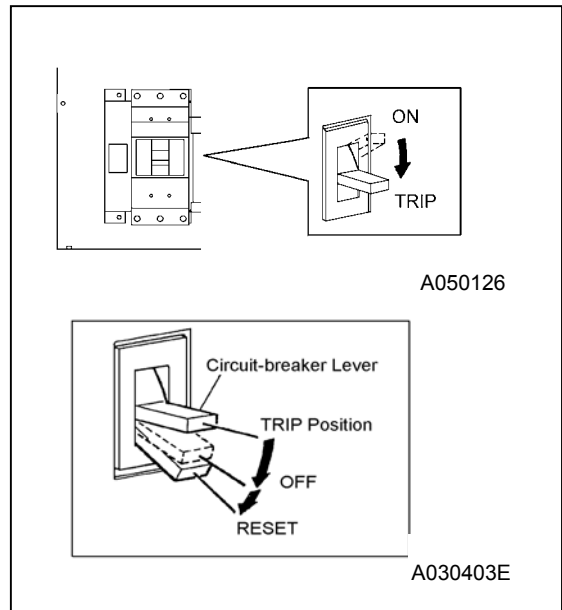
4. Operation

4.2.2 Three-phase circuit-breaker

- In case overload and short-circuited wire connection should occur, the circuit-breaker trips.
- It is impossible to switch ON the circuit-breaker tripped, and so stop the engine to reset the breaker.

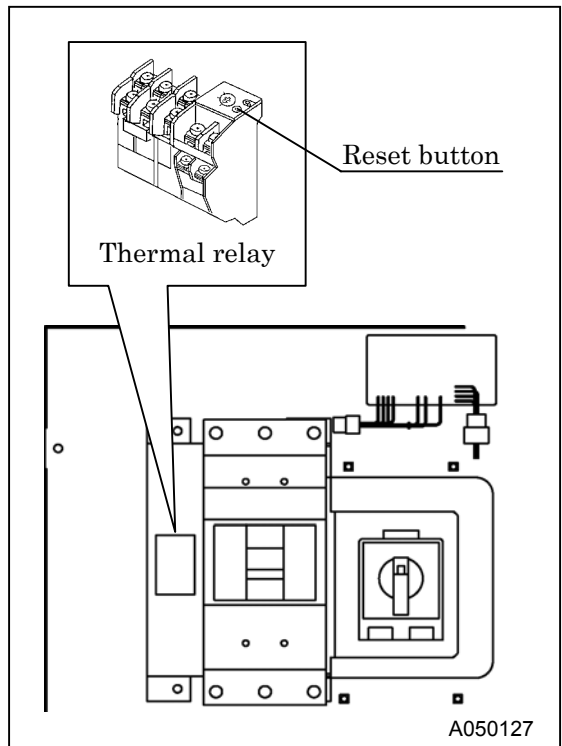
<How to reset>

- In order to reset the lever of circuit-breaker, press hard the lever downward till the lever sounds “click”.



4.2.3 Thermal relay

- In case overload or short-circuit should occur to load or load connection cable, this relay functions to trip the circuit-breaker.
- It is not necessary to push the reset button even after the three phase main breaker is tripped since the thermal relay is set automatic return at factory.



4. Operation

4.2.4 GFCI (Ground-fault circuit interrupter) Receptacles

WARNING

- Using the generator in rain, snow or near water can lead to death from electric shock. Keep the generator dry.

All of the 20 ampere 120 volt receptacles on the generator are protected by a GFCI (Ground-fault circuit interrupter) for protection against the hazards of ground fault currents. An example of ground-fault current is the current which would flow through a person who is using an appliance with faulty insulation and, at the same time, is in contact with an electrical ground such as a plumbing fixture, wet floor, or earth.

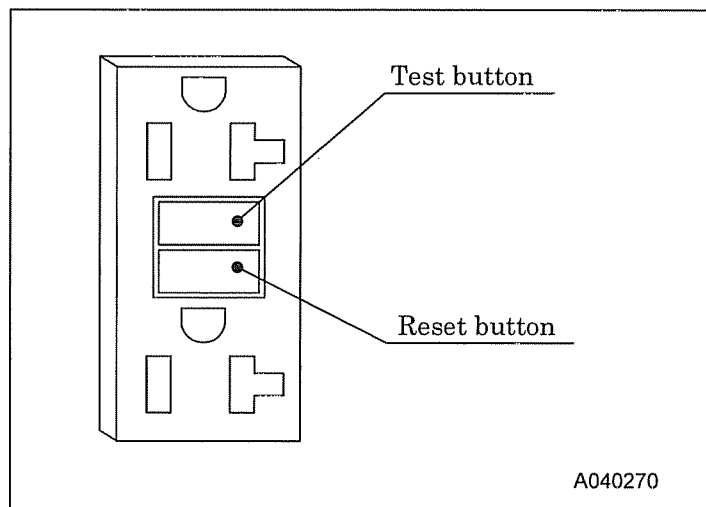
The ground-fault circuit interrupter will not protect against short circuits or overloads. The circuit breaker in the control panel which supplies power to the circuit provides that protection.

The ground-fault circuit interrupter can be identified by the TEST and RESET buttons. The receptacles on the GFCI can be tested with the TEST and RESET buttons.

TEST BUTTON: To test, depress the "TEST" button. (power is turned off)

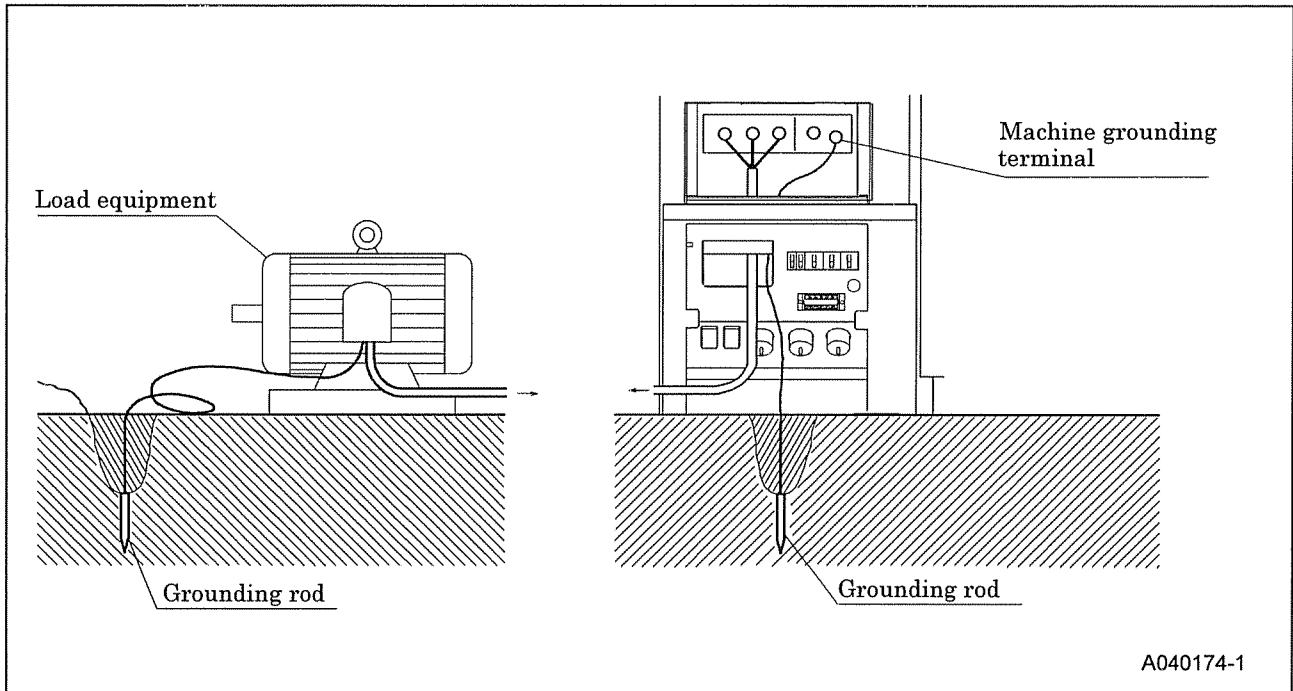
RESET BUTTON: To restore power, depress the "RESET" button.

Perform this test monthly or every 250 hours operation whichever comes first, in order to ensure proper operation of the GFCI receptacle. If the generator is stored outdoors, unprotected from the weather, test the GFCI receptacle before each use. Record your test on the GFCI test card provided on the control panel.



4. Operation

Grounding method



4.2.5 Circuit protector (CP) for AVR protection

AVR is equipped with circuit-protector (CP) for protection against overcurrent. Under the following cases, it happens to function.

- In case the machine gets overloaded while engine speed is still lower.
- In case the output voltage of generator is increased higher than the specified voltage.

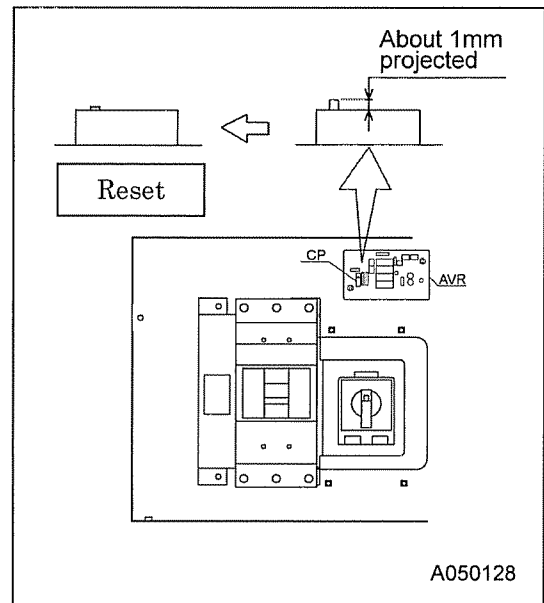
< Symptom >

- When circuit protector functions and load is applied to the machine, such trouble as larger variance of voltage and/or delayed voltage recovery follow.

< How to reset >

- Press the white colored AVR button inside the control panel for resetting the circuit-breaker.

Note: Do not hold the button with such sharply pointed things as a screwdriver, ball point pens etc.



4. Operation

4.3 Check before Starting the Unit



WARNING

Check before starting the unit

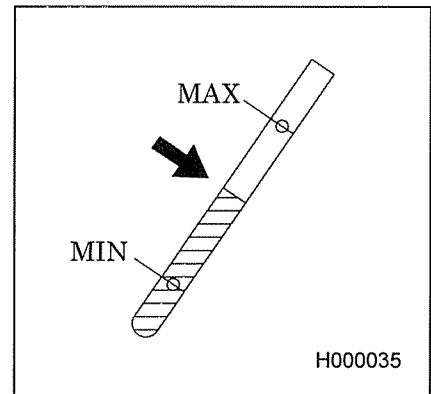
- Be sure to check the unit before operation. When any abnormality is found, be sure to repair it before starting the unit.
- Be sure to make daily check before operation. If the unit is operated without prior check and without noticing its abnormality, such operation could cause seizure of components or may even cause fire.

4.3.1 Check Engine Oil Level

- Unit should be on level before checking oil level.
- When you check oil level after you have once started operation, wait 10 to 20 minutes after stopping engine, before checking the oil level.

(Procedure)

- ① Pull out the engine oil level dipstick, and wipe it with a clean cloth.
 - ② Then, re-insert the dipstick fully and pull it out again. If the gauge shows the oil level between MAX and MIN limits, it is normal.
 - ③ When the oil level is below its MIN, add engine oil. (See 5.5.1.)
- While checking oil level, check also for contamination. If the oil is found dirty, contaminated, or should be changed according to the periodic inspection list, change the oil.



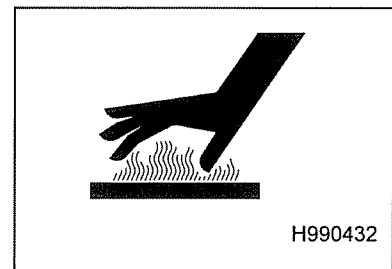
4.3.2 Check Coolant Level



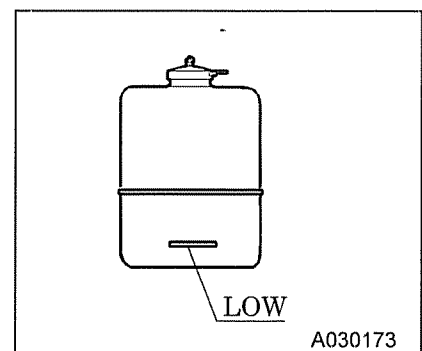
CAUTION

Taking off the radiator cap

- Be sure to stop the machine first and then loosen the radiator cap slowly, after the coolant water is sufficiently cooled and the inner pressure is released. If this procedure is neglected, its inner pressure can blow off the cap, and steam jetting out of the radiator could cause scalding.



- Check the coolant level in the reserve tank. If it is lower than the limit, open the cap and replenish the coolant. (Level must be kept above LOW mark)
- If little coolant is left in the reserve tank, replenish the tank and radiator also. (See 5.5.14.)



4. Operation

4.3.3 Check Fuel

- Before starting operation, make sure to check the level of residual fuel so that fuel shortage during operation can be avoided.
- If necessary, drain condensate accumulated at the bottom of the fuel tank.

CAUTION

Fire prevention

- Do not, under any circumstance, bring lit cigarettes and/or matches to the fuel.
- The fuel is extremely flammable and dangerous. Be careful of fire because it is very likely to catch fire.
- Refuel only after stopping the engine, and never leave open fuel can near the machine. Do not spill. It could cause a fire. When it is spilt, wipe it up completely.
- Refilling fuel tank should be done in an outdoor well-ventilated place.
- Do not supply fuel up to the fuel cap. And then the fuel may get spilt when the unit is moved, transported and it is vibrating.



IMPORTANT

— Choose appropriate fuel —

- Be sure to use diesel fuel oil.
(Using other oil will cause low power output or damage the engine.)
- As for fuel, use diesel fuel oil (having higher than 45 cetane number).
- Use of diesel fuel oil having lower than 45 cetane number will cause inferior function to engine and, what is worse, it will cause serious accident to the engine.

4.3.4 Check V-belt Tension

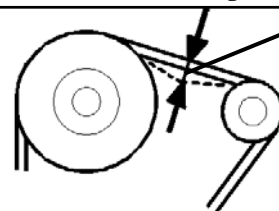
IMPORTANT

- If V-belt tension too tight, it can cause shaft breakage or shorten the life of a bearing. If too loose, the belt may slip and will cause early breakage or damage to the belt.
- Adjust the fan belt and alternator V-belt by the following procedure:

(Procedures)

- ① Unfasten the mounting bolts of the alternator to adjust the alternator.
- ② Visually check the belt for any crack, wear, and other defect.
- ③ Loosen the mounting bolt of alternator once. Then adjust it so that the belt deflection will be 8-12 mm [98.1N (10kgf)] when pressing with a finger.
- ④ Be careful not to leave any grease and LLC on the belt. If any of such material is left, wipe it off completely.

Depress the middle of the belt with a finger.



A010181

4. Operation

4.4 Unit Operation

WARNING

- Keep the door shut and locked when machine is in operation.
- If opening the door is necessary, be careful not to touch rotating or hot parts. Burns or serious injury could result.

IMPORTANT

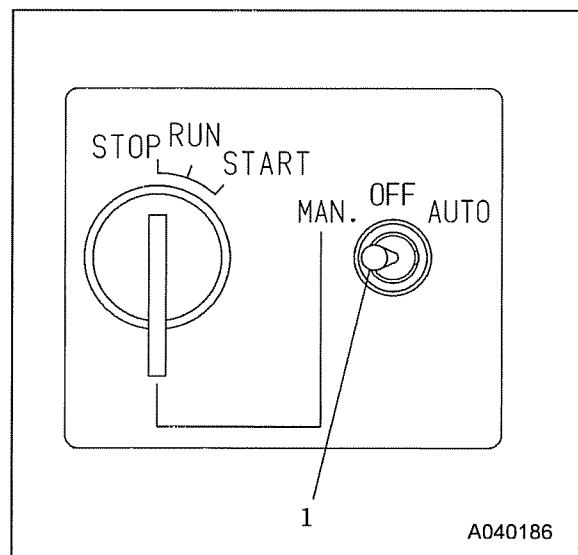
- After the engine starts up, warm up it under unload for approx. five minutes.
- Warming up after starting up is necessary for smooth operation of the engine. Do not operate the engine at full load immediately after it starts up. This will shorten the equipment life.
- During the warm-up operation, examine the different parts of the equipment for any looseness, leakage of water, oil, fuel, and other irregularities.
- Also, make sure that the alarm lamps are off.
- Be sure to operate the generator at a rated frequency, irrespective of the load capacity.
If the machine is operated with a frequency lower than the rated frequency, it could cause the generator or to be burned.

4.4.1 Procedure to Start the Unit

Follow the starting procedure below.

(Manual operation)

- ① Switch "OFF" the circuit breaker on the instrument panel.
- ② Set the selector switch "1" to "MANUAL" operation position.
- ③ Turning the starter switch to the "RUN" position, the engine starts preheating automatically.
- ④ When the preheating lamp goes off, turn the starter switch to "START" position and start the engine.
- ⑤ Once engine has started, let it warm up about five minutes at no-load condition.
- ⑥ Make sure that engine speed at no-load meets 60Hz(1,800min⁻¹)
- ⑦ Adjust the voltage to the rated voltage by turning the voltage regulator knob, watching the voltmeter.
- ⑧ Switch the three-phase breaker "ON" to supply generator power. To use auxiliary AC power receptacles, switch the single-phase and three-phase breakers to "ON" for power.



4. Operation

(Automatic operation)



WARNING

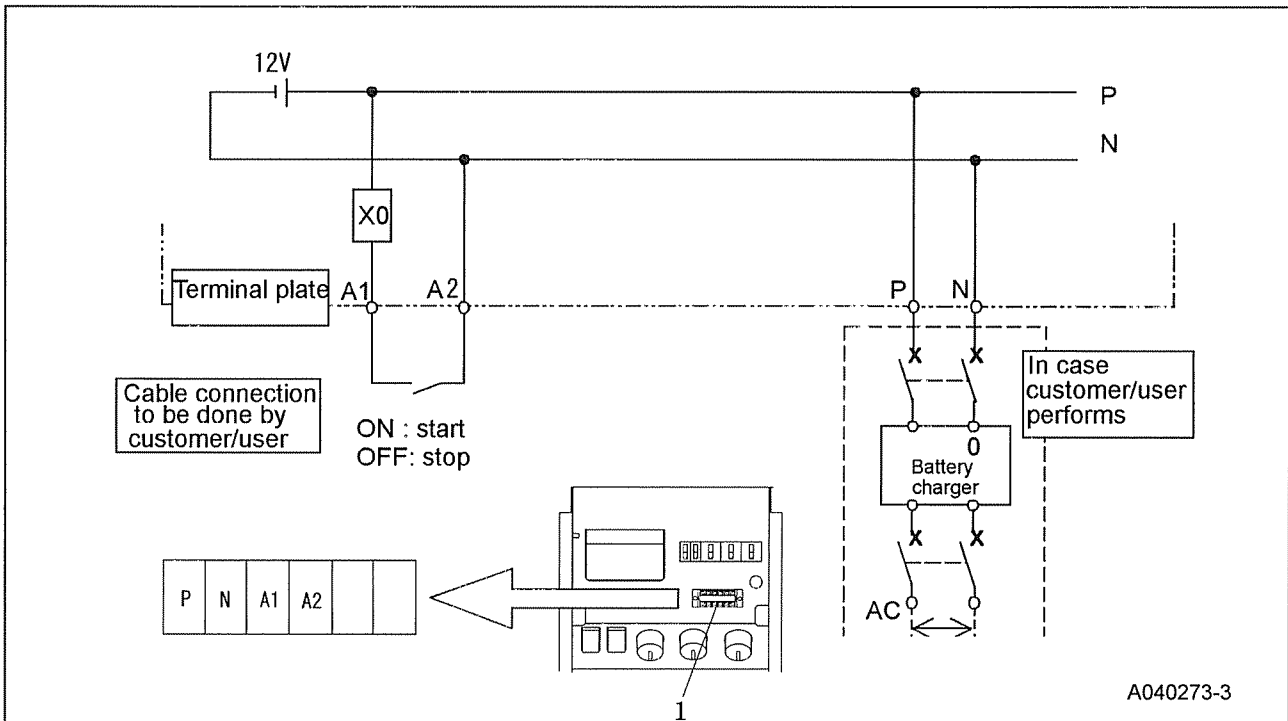
Inspection and maintenance prohibited during automatic operation

- Never put your hands close to the interior of the machine, because the generator can be started when start signal functions even while the machine is in stop position.
- Before starting inspection and maintenance job, make sure to place the selector switch of automatic starting panel to "MAN" position and to hang the tag "Under inspection and maintenance".
- Remove the battery cathode cable terminal.
- Pull out the starter key of the generator and the inspector himself should keep it during inspection and maintenance job. neglect and/or ignoring the above items could cause a serious accident to other persons standing close by the machine when any other person than the inspector himself starts the machine.



1. Cable connection method of remote control switch

The remote control terminal "1" is provided inside the output terminal. Perform cable connection as shown below for remote control operation of the machine. For this cable connection job, make sure to remove the battery cathode cable terminal.



IMPORTANT

— **Install the battery charger** —

- While the machine is in stand-by conditions during automatic operation, battery discharge occurs. Make sure to charge battery, operating the battery charger.

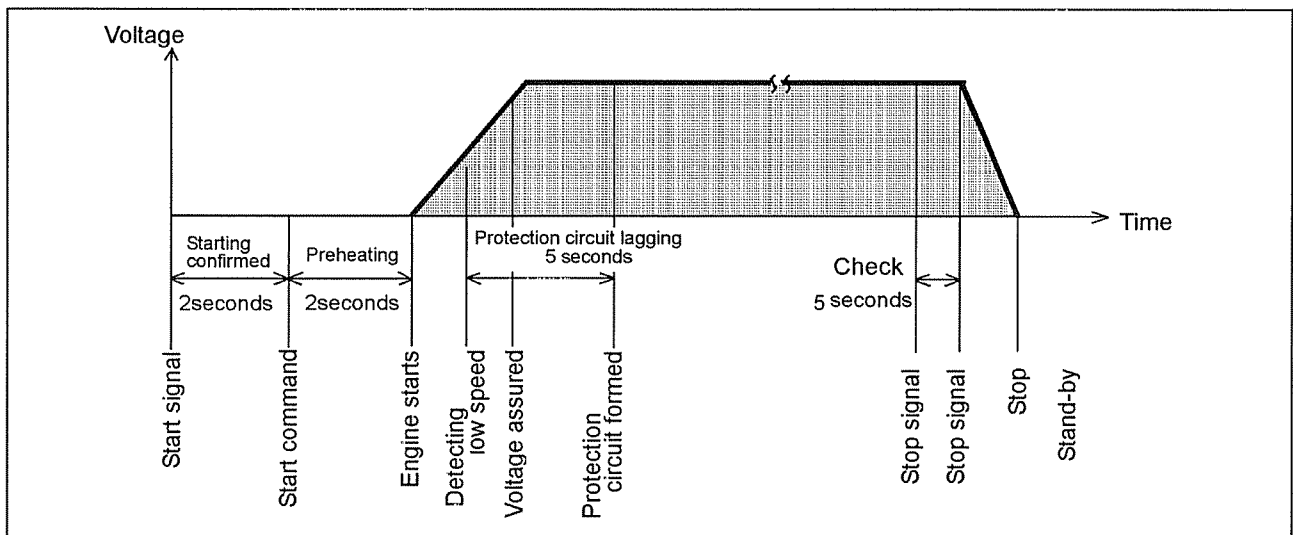
4. Operation

2. Operating procedure

- ① Start the generator unit under the procedure of manual operation and adjust the frequency and voltage.
- ② Turn the starter switch to "STOP" position and stop the engine.
- ③ Turn the circuit breaker of output terminal "ON" after the generator unit stopped when you use the circuit breaker and single phase receptacle on the control panel.
- ④ Turn the operating selector switch to "AUTO" position on the control panel.
- ⑤ The unit will be under stand by and start once the start signal is sensed.

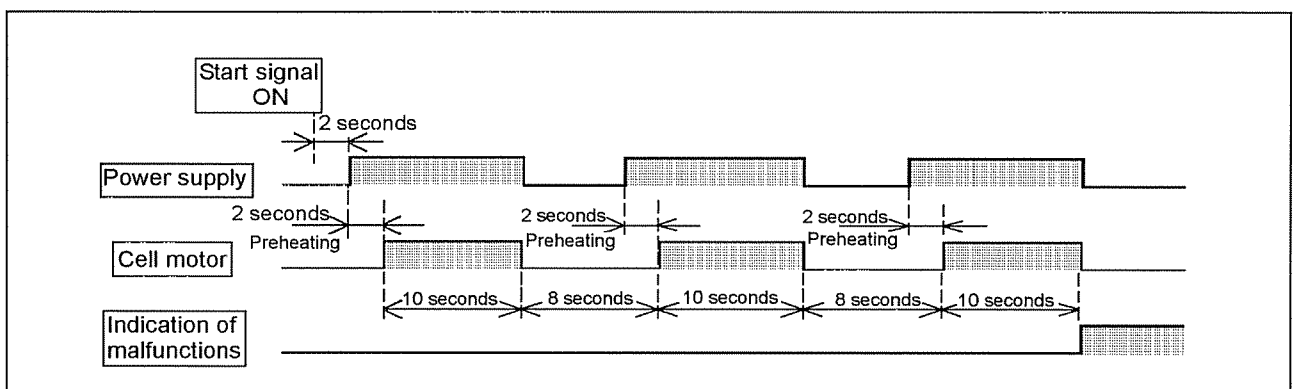
3. Function

When start signal activates in stand-by conditions, it starts the generator engine after preheating. When stop signal activates, it continues 5 seconds cooling down operation to stop engine and the machine is placed again in stand-by conditions.



4. Starting action

Even when the engine will not start even after cranking operation for 10 seconds, stop it 8 seconds and then try cranking operation again. In case the engine will not start even after cranking operation is repeated three times, trouble signal goes on showing difficulty in starting.



IMPORTANT

— Perform periodical inspection and maintenance of the generator —

- For maintenance of the generator, try operation 5 to 10 minutes once a week.

4. Operation

CAUTION

- This machine is so designed for safety that operator may not touch the output terminal during operation. If you open the output terminal cover during operation with three-phase breaker switched "ON", the three-phase breaker will be "OFF" to cut power supply to the output terminal. When starting operation, make sure that the output terminal cover is closed.

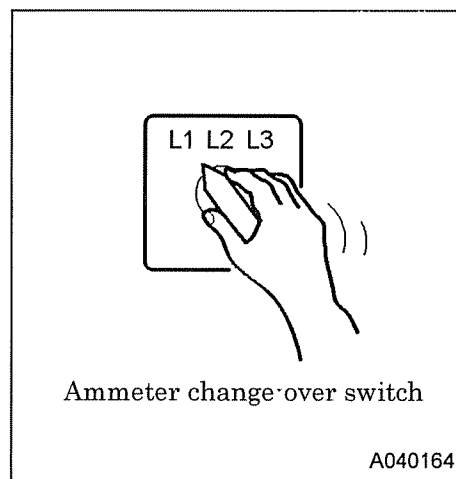
4.4.2 Meter and Indicator Lights while Operating

During normal operation, each indication of instruments is shown in the table below. Refer to the table for daily checks.

Note: The values marked ※ vary with location of the voltage selector switch.

	Voltmeter (V)	Frequency meter (Hz)	Ammeter (A)	Warning Lamp					Display Lamp
				Oil pressure	Engine temp.	Over crank	Air filter	Diagnostic Lamp	Glow
Before Starting up (preheating)	0	0	0	● Off	● Off	● Off	● Off	● Off	☀ On
During Operation	※ 240 480	60	Less than rated current			● Off			● Off

- Be sure to frequently check meters and indicators for proper operation, or any machine water, oil, fuel leaks, etc.
- The above table gives standard values. They may vary slightly depending on operating conditions and other factors.
- In single-phase load operation, check the current of L1, L2, and L3 phase with the ammeter, by turning the ammeter change-over switch. Each current should be balanced if unbalanced. Change load connections so the current of L1, L2, and L3 is equally balanced. Make sure that the current of each phase does not exceed the rated one.
- When the voltage selector switch is in the single-phase 240/120V position, place the ammeter change-over switch to the L1 or L3 position to read the output.



4.5 Stopping Procedures

(Procedure)

- ① Switch "OFF" the breaker on the operation panel of the generator.
- ② After performing cooling down operation about 5 minutes, place the starter switch to the "STOP" position to stop the engine.
- ③ While the machine is kept unused, keep the operation selector switch placed to the "OFF" position.

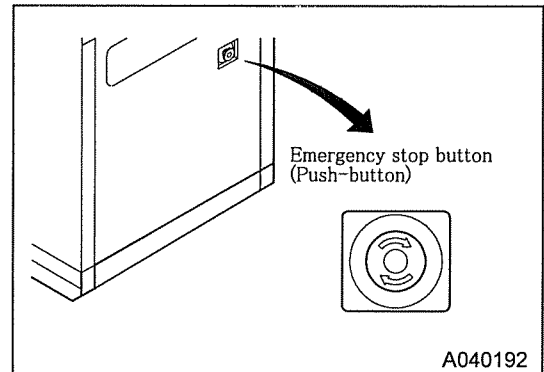
4. Operation

4.6 Emergency Stop

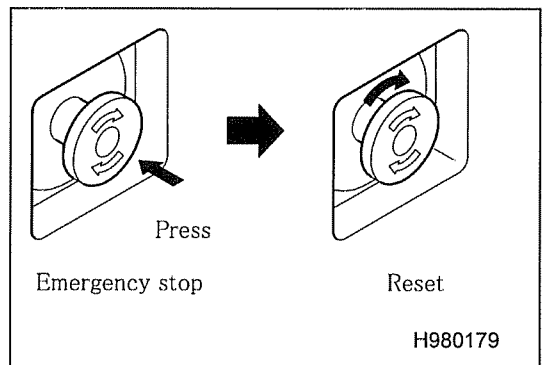


- The Emergency Stop button should be used only for emergency stop.
- Regularly check the operating performance.

- If it is necessary to stop the generator for emergency, press the Emergency Stop button.



- To reset the button, turn the button head in the direction of the arrow. If it is not reset, the machine cannot restart to operate.

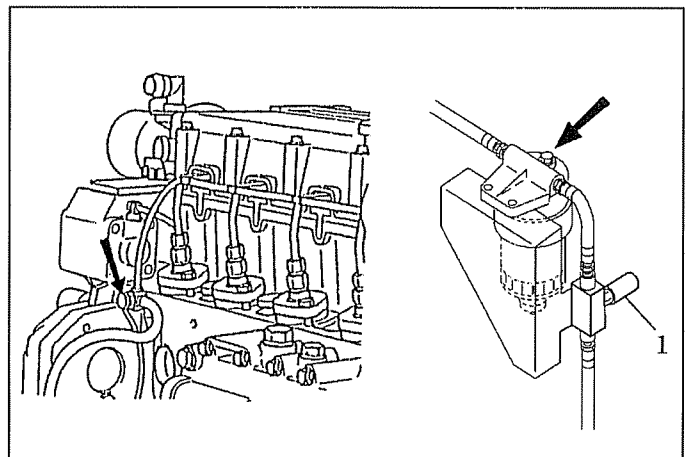


4.7 Air Bleeding

Should the machine stop due to the shortage of fuel, perform the air bleeding operation according to the following procedures.

(Procedure)

- ① Supply fuel.
- ② Loosen air bleed plug (2 points).
- ③ Bleed air with pushing manual pump "1" (Approx. 1 min.). Tighten plug after fuel come out from plug.
- ④ Turn starter switch to "RUN" position and crank. Air bleed is completed.



5. Periodic Inspection/Maintenance

5.1 Important Items at Periodic Inspection and Maintenance or after Maintenance

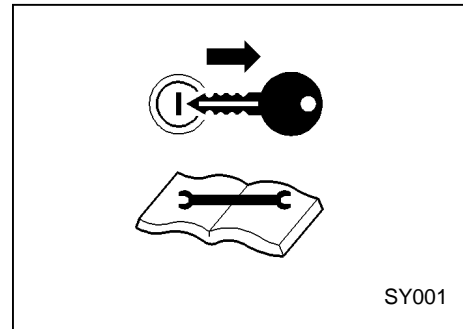
- The manual shows proper interval for periodic inspection and maintenance under normally operating conditions. Inspection and maintenance should be performed more often under extremely harsh conditions.



WARNING

Hang a "Now Checking and under Maintenance" tag

- Remove the starter key from the starter switch before starting inspection, and hang up a "Now Checking and under Maintenance" tag where it can be easily seen. The checker must keep the key during checking and maintenance.
- Remove the negative (-) side cable from the battery. If the above procedure is neglected, and should another person start operating the machine during check or maintenance, it could cause serious injury.
- Be sure to use appropriate tools for inspection and maintenance work. Inappropriate tools could cause unexpected injury.



IMPORTANT

— **Precaution for check and maintenance** —

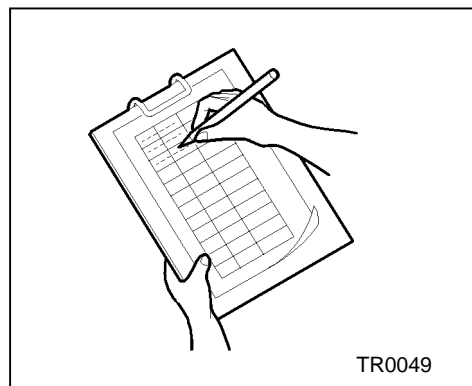
- Be sure to use recommended fuel, oil, grease, or antifreeze.
- Do not disassemble or adjust engine, compressor or part(s) for which inspection or maintenance is not referred to in this manual.
- Use genuine parts for replacement.
- Any breakdown, caused by using unapproved parts or by wrong handling, will be out of the scope of "WARRANTY".
- Do not pour water or steam on electrical components.
- Place a container or a pan underneath the oil port to receive waste liquid so that such liquid cannot be spilled out on the floor or inside the machine.
- Be sure that no waste liquid is disposed of on the ground. Such waste on the ground, river or lake will cause serious environmental contamination. Be sure to follow the local regulations. If harmful material such as oil, antifreeze solution or filters are disposed of incorrectly, the responsible person should be punished by the authority.
- Observe local regulations when disposing of such toxic materials as oil, fuel, coolant (anti-freeze), filters, and battery etc.

5. Periodic Inspection/Maintenance

5.2 Daily Inspection and Keeping Operation Log

- Be sure to carry out daily inspection every morning before operation. See Chapter 4 “OPERATION” of the manual for the details of inspection.
- Pay attention to and carefully observe the following points during daily operation or inspection and maintenance work. If any trouble or abnormality is found, immediately investigate its cause and make repairs. If the cause is unknown or not traceable, or if the trouble involves a part or component not described in the manual, ask your nearest dealer for information.

- (a) Controls and instruments function properly.
- (b) Quantity and any leak of water, fuel, and oil or any contamination should be checked.
- (c) Appearance, abnormal noise or excessive heat should be checked.
- (d) Loose bolt or nut should be checked.
- (e) Any damage, wear or shortage of machine components and parts should be checked.
- (f) Performance of each part or component should be proper.



- Keep the operation log to record constant inspection of each component, so that trouble of the unit can be easily discovered and preventive measures can be taken.

It is very useful to record information such as frequency, temperature, current, maintenance items and replenishment of lubricant on a daily maintenance log.

5. Periodic Inspection/Maintenance

5.3 Periodic Inspection List

Such items marked shall be carried out by customers.

For the following items or clauses marked , contact us directly or our distributors because they require expert technical knowledge on them.

Refer to engine operation manual for inspection and maintenance of an engine.

(Unit : Hour)

	Maintenance	Daily	50	250	500	1,000	Page	Remarks
Generator	Check each instrument and warning lamp.						4-12	
	Check insulation resistance.						5-6	
	Check GFCI receptacles.			(Every monthly)			5-7	
	How to check thermal relay.						5-7	
Engine	Check and Clean Clogging of Air Filter Element.						5-8	
	Change Air Filter Element						5-13	
	Drain fuel tank.						5-8	
	Check fuel level.						4-8	
	Check engine oil level.						4-7	
	Check coolant level.						4-7	
	Check looseness in pipe connector terminals and tear in wiring.						5-9	
	Check V-belt tension.						4-8	In the case of NG, it exchanges.
	Change engine oil.		(First time)				5-5	
	Change engine oil filter.		(First time)				5-6	
	Check fuel pre-filter drain						5-8	
	Check battery electrolyte.						5-9	
	Check Specific gravity of battery electrolyte.						5-9	
	Change fuel filter.						5-9	
	Change fuel pre-filter						5-10	
	Check engine valve clearance.							
	Adjust fuel injection nozzle.							
	Check fuel injection timing.							
	Change coolant.					(Every 2 years)	5-11	
	Clean outside of Radiator and Intercooler.						5-10	Dirt condition cleans.
Check rubber hose.						5-13		
Clean inside the radiator.								

5. Periodic Inspection/Maintenance

5.4 Periodic Replacement of Parts

IMPORTANT

— *Use our genuine elements* —

- Air filter is a crucial component for the performance and the life of a unit.
Use genuine part for replacement.
- Part number changes upon modification. For replacement of parts, make sure whether the part number is correct or applicable.

Part Name		Part Number	Quantity
Air filter	Filter insert	VOLVO 20405830-9	1
Engine oil filter		VOLVO 3831236-9	1
Fuel filter		VOLVO 3825133-6	1
Fuel pre-filter	Filter insert	VOLVO 20430640-1	1
	Sealing ring	VOLVO 20430641-9	1
V-belt	Alternator	VOLVO 978515-5	1
	Fan	VOLVO 978750-8	1

5. Periodic Inspection/Maintenance

5.5 Maintenance

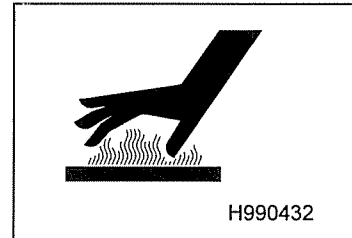
5.5.1 Change Engine Oil

- At 50 hours for the first change and every 250 hours thereafter

CAUTION

Caution in filling or draining engine oil

- When checking, replenishing, and draining the engine oil, be sure to wait 10 to 20 minutes after engine stops until it cools down.
- Engine oil is very hot and highly pressurized during or just after the operation. Hot oil could blow out and can cause injury.



IMPORTANT

—How to choose engine oil —

- Viscosity of engine oil greatly affects startability, performance, oil consumption of the engine, as well as wear of the moving parts.
- Choose appropriate oil based upon the table below according to the outside air temperature.

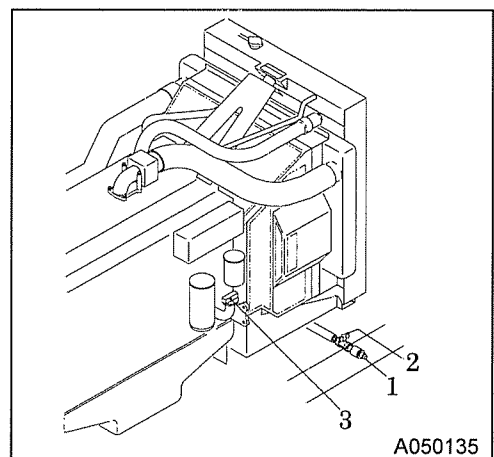
Relation between viscosity (SAE) and temperature

SAE Viscosity number	Temperature
10W	-22° F to 50° F (-30°C to 10°C)
30	14° F to 104° F (-10°C to 40°C)
40	32° F to 122° F (0°C to 50°C)
15W/40	-4° F to 104° F (-20°C to 40°C)

- Be sure to use CD class engine oil or superior class. (Using engine oil with poor quality may shorten the life of the engine).
- When two or more different brands of oil are mixed, its performance can be deteriorated. Do not mix oils.
- Follow the designated regulations to dispose of engine oil.

(Procedure)

- ① Loosen the drain plug “1” located outside the frame to drain the oil. Open the drain valve “2” provided inside the machine to drain condensate.
- ② After finishing drainage, close the drain valve “2” securely and install the plug “1” and supply engine oil through oil filler port “3” .
- ③ After finishing the oil supply, tighten the cap of oil filter port “3” firmly.

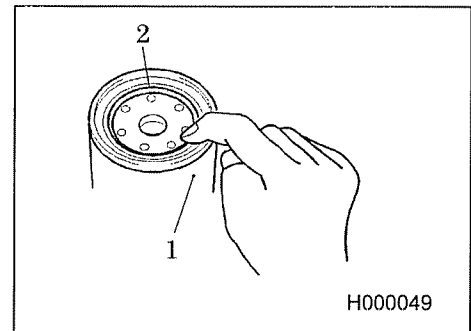


5. Periodic Inspection/Maintenance

5.5.2 Change Engine Oil Filter

- At 50 hours for the first change and every 250 hours thereafter

- ① When installing a new oil filter, spread oil over the packing “2”, and then screw it in. When the packing touches the sealing surface, further tighten the filter by approximately two-thirds turn with a filter wrench.
- ② After the oil filter “1” is assembled, check if there are any oil leaks during operation. (See 5.4)



5.5.3 Check Insulation Resistance

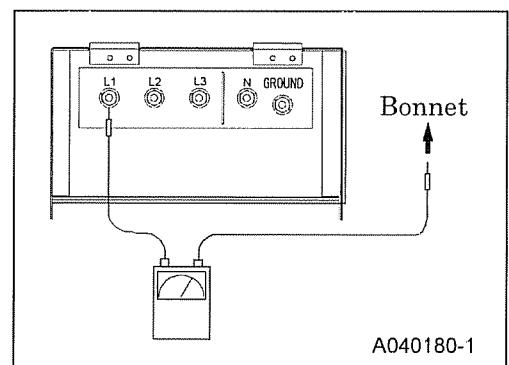
- Every 250 hours

IMPORTANT

- When the generator has not been operated for a long time or moisture has entered inside the machine, be sure to measure the insulation resistance. If resistance is lower than $1\text{M}\Omega$, it could cause an electrical leakage or fire. Dry the generator with compressed air until the resistance exceeds $1\text{M}\Omega$ prior to operating.
- Since the generator insulation may drop when moisture, oil vapor, and dust are stuck, always keep the machine clean.

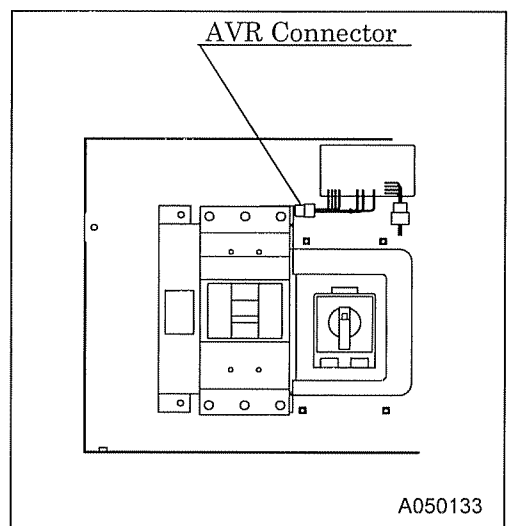
(Procedure) (Megger tester required)

- ① Remove the load side cable from the output terminal board.
- ② Remove the cable between the terminal “N” and terminal “Ground” which are connected on the back of the output terminal plate.
- ③ Remove the AVR connector inside the generator control panel.
- ④ Switch ON the three-phase breaker, measure each insulation resistance between the terminals L1, L2, L3 terminal and bonnet.
- ⑤ Insulation resistance when measured with a 500 V megger tester must be above $1\text{M}\Omega$.
- ⑥ After finishing the measurement of insulation resistance, re-connect the cable between the terminal “N” and terminal “Ground”.



WARNING

- After making sure that the insulation resistance of the generator is higher than $1\text{M}\Omega$, be sure to re-connect the cable between the terminal “N” and terminal “Ground” just as it was originally connected. If it is left disconnected, the grounding becomes imperfect so that it could cause electric shock.



5. Periodic Inspection/Maintenance

5.5.4 Check GFCI Receptacles

- Monthly or 250 hours operation, whichever comes first.



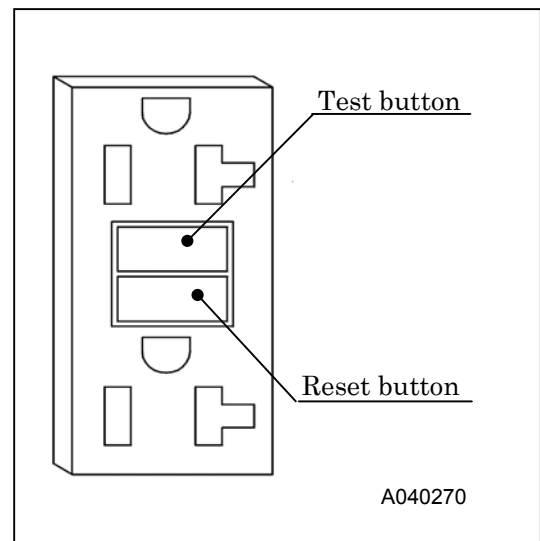
WARNING

- If the generator is stored outdoors, unprotected from the weather, test the GFCI receptacle before each use.
- In case the GFCI has tripped due to the hazard of ground fault currents, investigate the cause and correct it.

Regularly check the GFCI operation for safety.

(Procedure)

- ① Unplug all appliances from the generator.
- ② Start the engine.
- ③ Turn each single-phase and three-phase breaker ON.
- ④ Press the TEST BUTTON
 - The RESET BUTTON should extend with a click.
 - If the RESET BUTTON does not extend, contact your nearest dealer.
- ⑤ Press the RESET BUTTON
- ⑥ When the RESET BUTTON extends during operation.
 - Unplug all appliances from the GFCI protected receptacle.
 - Press the RESET BUTTON:



IF THE GFCI CANNOT BE RESET: The GFCI is faulty. Contact your nearest dealer.

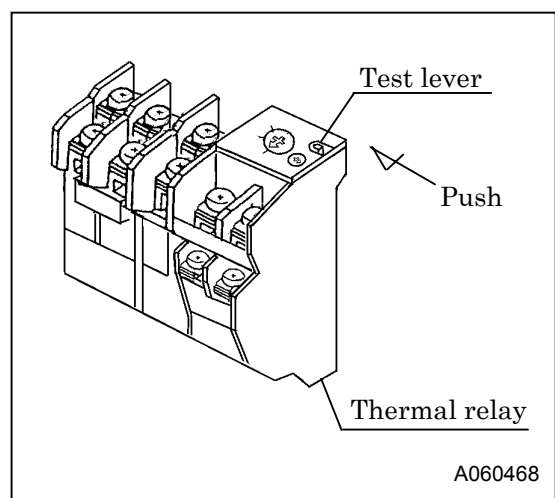
IF THE GFCI RESETS PROPERLY: Check the appliance or the power cord.

5.5.5 How to check thermal relay

- Every 250 hours

(Procedure)

- ① Turn the starter switch to ON.
- ② Set the main breaker to ON.
- ③ The three phase main breaker will trip if you push the test lever of the thermal relay in the arrow direction.
- ④ Note that once the three phase main breaker trips to the off position, the single phase breaker that supplies power to the GFCI outlets can still be ON.



5. Periodic Inspection/Maintenance

5.5.6 Check and Clean Clogging of Air Filter Element

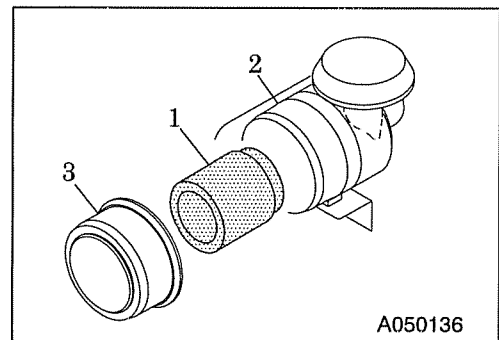
- Every 250 hours

IMPORTANT

— *Be sure to properly clean air filter element* —

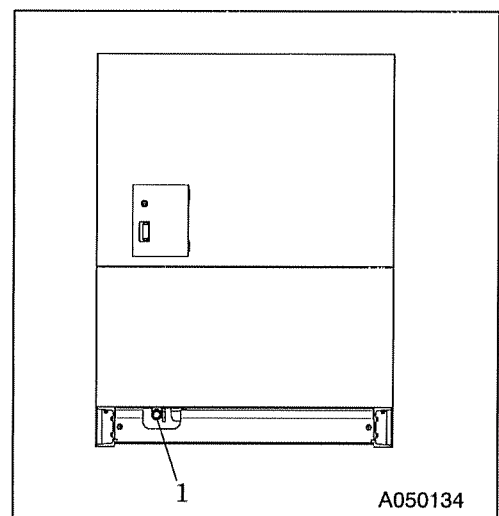
- When an element that is clogged or has holes or cracks is used, dust or foreign material will get in the engine. This causes accelerated wear in each sliding part of the engine. Be sure to make daily check and cleaning so that the life of the engine will not be shortened.

- If the warning lamp for air filter clogging glows, remove the element “1” and clean or replace it after inspection.
- In case you attach the cup “2” after element cleaning, please push into a case “3” firmly by hand, and fasten after checking having applied the hook of the handle for cup fixation to the case “3” .



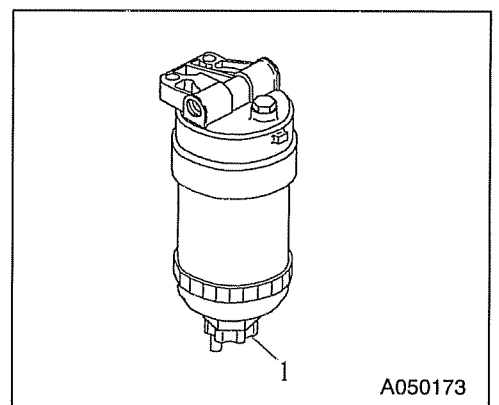
5.5.7 Drain Fuel Tank

- Every 250 hours
- Fuel tank drain is loosen the drain valve “1” located outside the frame to discharge condensate left in the tank.
- When completely drained, firmly close the drain valve “1” .
- Dispose of condensate according to the designated regulations.



5.5.8 Check Fuel Pre-Filter Drain

- Every 250 hours
- Loosen the drain valve “1” and drain.
- After completely drained, firmly close the drain valve “1” .
- Dispose of condensate according to the designated regulations.



5. Periodic Inspection/Maintenance

5.5.9 Check Battery electrolyte and specific gravity of battery electrolyte

- Battery electrolyte : every 250 hours
- Specific gravity of battery electrolyte : every 500 hours

If there to be a problem in starting an engine due to a flat battery, carry out the checks by following the procedures below:

1. Ordinary type battery:

Measure specific gravity of battery electrolyte, and if it shows below 1.24, recharge the battery immediately. (See 6.1)

2. Enclosed type battery:

Check the indicator on top surface of the battery.

If the indicator shows that charge is needed, recharge the battery immediately.

5.5.10 Check Wiring of Each Part

- Every 500 hours

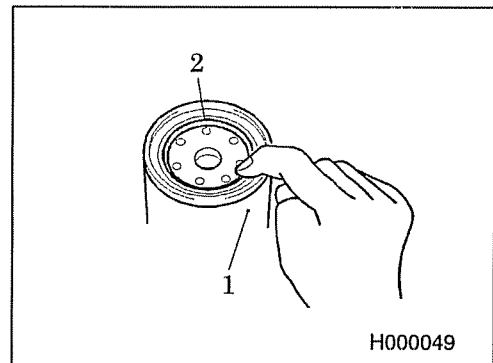
Check each wiring for any loose connection, damage, disconnection, and short circuit.

5.5.11 Change Fuel Filter

- Every 500 hours

(Procedure)

- ① Take out the cartridge by using a filter wrench
- ② After coating fuel on the new cartridge "1" packing "2" , screw it in. (See 5.4)
- ③ When the packing "2" touches the seal face, tighten it by approximately two-thirds turn using a filter wrench.
- ④ Bleed the air of fuel. (See 4.8)
- ⑤ After installing a fuel filter, check for fuel leakage during operation.



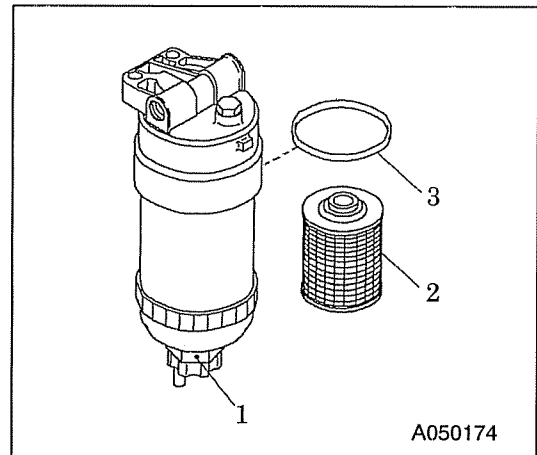
5. Periodic Inspection/Maintenance

5.5.12 Change Fuel Pre-Filter

- Every 500 hours

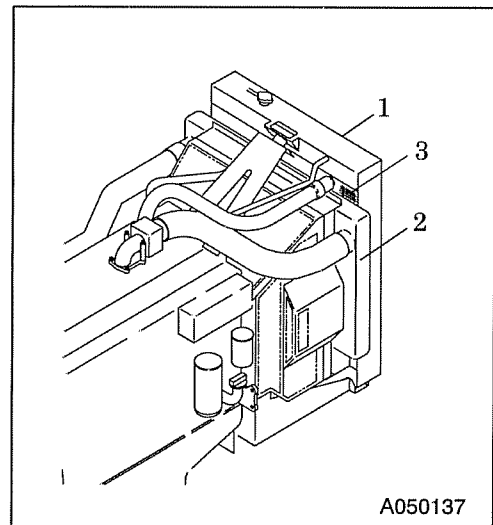
(Procedure)

- ① Loosen the hexagonal part "1" under the filter by a wrench and remove the body of the filter.
 - ② Replace the internal filter "2" and the seal ring "3".
(See 5.4)
 - ③ Supply fuel and install the body of the filter.
 - ④ Bleed air of fuel.
- After installation of the filter, make sure not to leak fuel during operation.



5.5.13 Clean outside of Radiator and Intercooler

- Every 500 hours
- When the fin tubes "3" of radiator "1" and inter cooler "2" are clogged by dust or other foreign materials, the heat exchange efficiency drops and this will raise coolant temperature. These tubes and fins should be cleaned depending on the state of dirt inside the tubes even before maintenance schedule.
- Do not use high pressure washer for washing to prevent fin tubes "3" from being damaged.
- When the unit is used, installed near seaside and on boat board, clean the radiator using fresh water more times than once a month.



5. Periodic Inspection/Maintenance

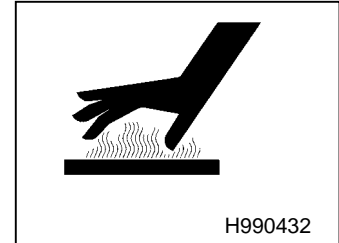
5.5.14 Change Coolant

- 1,000 hours or every 2 years



Taking off radiator cap

- Be sure to stop the machine and loosen the radiator cap slowly, after the coolant water is sufficiently cooled and the inner pressure is released, then take the cap off.
If this procedure is neglected, the inner pressure can blow off the cap. Steam jetting out of the radiator could result in causing scalding. Follow the procedure under all circumstances.



H990432



How to handle LLC (Antifreeze)

- LLC (Antifreeze) is a toxic material.
- When a person has drunk LLC (Antifreeze) by accident, make him vomit and make him see a doctor immediately.
- When a person gets LLC (Antifreeze) in his eyes, wash the eyes with clean running water and make him see a doctor immediately.
- When LLC (Antifreeze) is stored, put it in a container with an indication saying "LLC (Antifreeze) inside" and seal it up, then Keep it in a place away from children.
- Beware of flames.
- Follow the designated regulations to dispose of LLC (Antifreeze).

IMPORTANT

— Quality of coolant and antifreeze —

- Use soft water of good quality such as tap water for coolant.
- When water with dirt, sand, and/or dust contained, or hard water such as well water (ground water) is used, this will cause deposits inside radiator or on cylinder head, and will cause engine overheat due to poor flow of coolant.
- When the unit is used in a cold region and possible freezing is expected, it is recommended to use LLC (Antifreeze) for the coolant.
- Adjust mixing ratio of LLC with water according to the temperature.
- Use LLC within the range of its mixing ratio between 35 and 60%.
- If LLC in the water exceeds more than 60%, it may decrease its antifreezing effect.

Reference of LLC mixing ratio

Temperature	Mixing ratio
- 4 °F (- 20)	35%
- 40 °F (- 40)	55%

- Follow the designated regulations to dispose of LLC (Antifreeze).

5. Periodic Inspection/Maintenance

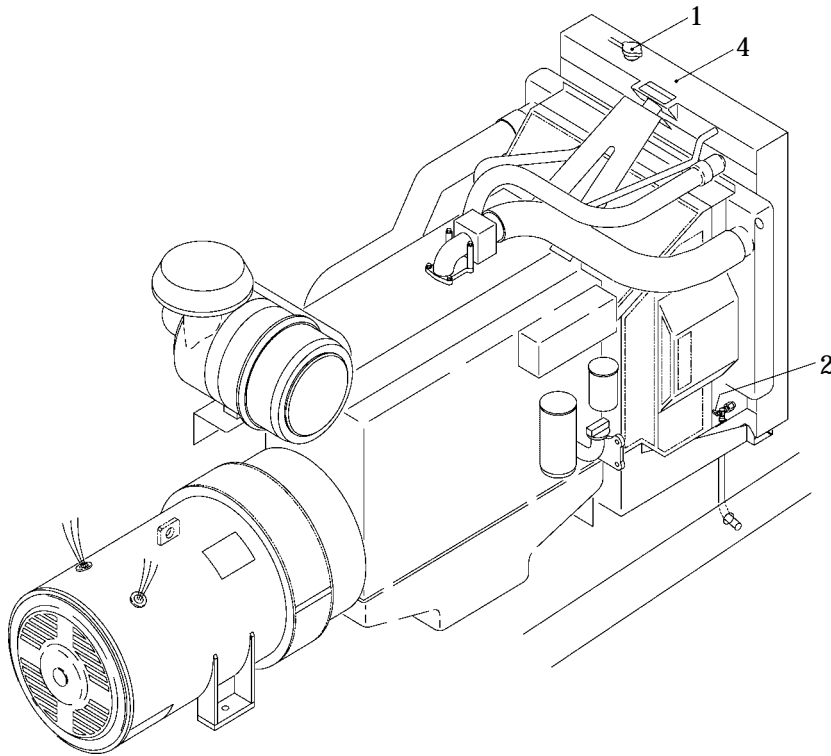
(Procedure)

To drain coolant, remove the radiator cap " 1 " , then loosen the drain valve " 2 " .

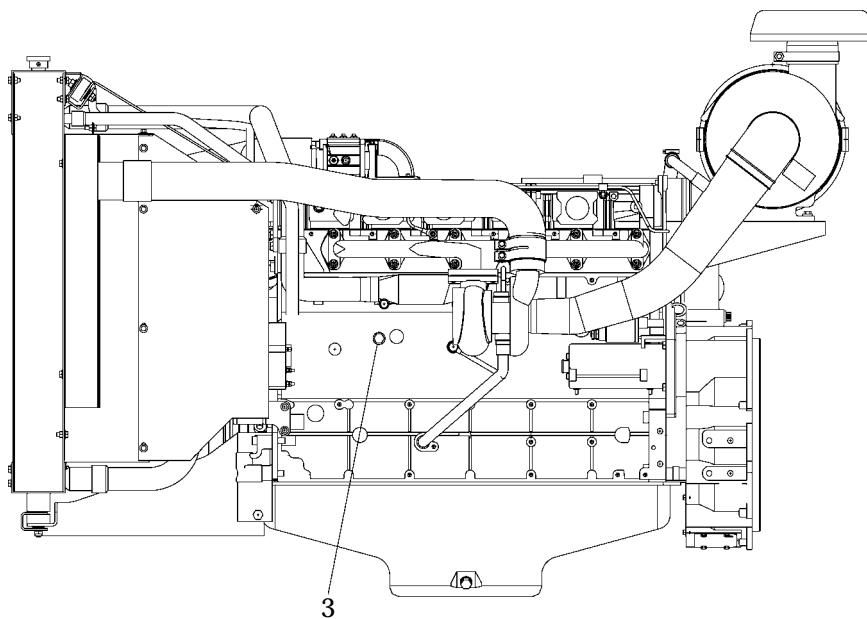
Be sure to also unfasten the drain plug " 3 " on the engine cylinder block for drainage.

When the coolant is completely drained out, close each drain valve " 2 " and drain plug " 3 " , and supply new coolant from the filler port " 4 " .

After changing the coolant, run the engine under unload operation for 2 to 3 minutes, then stop it. Check the coolant level again and replenish it if necessary.



A050138



A050139

5. Periodic Inspection/Maintenance

5.5.15 Change Air Filter Element

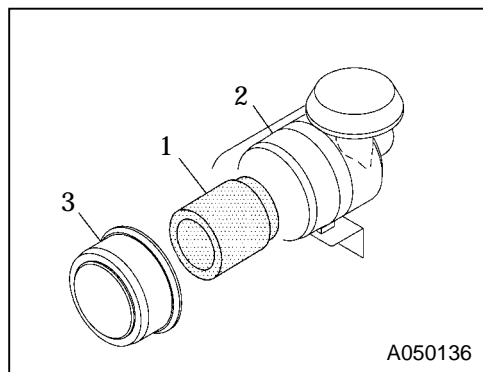
- Every 1,000 hours

IMPORTANT

— *Be sure to properly clean air filter element* —

- When an element that is clogged or has holes or cracks is used, dust or foreign material will get in the engine. This causes accelerated wear in each sliding part of the engine. Be sure to make daily check and cleaning so that the life of the engine will not be shortened.

- If the warning lamp for air filter clogging glows, remove the element “ 1 ” and replace it after inspection. (See 5.3)
- In case you attach the cup “ 2 ” after element change, please push into a case “ 3 ” firmly by hand, and fasten after checking having applied the hook of the handle for cup fixation to the case “ 3 ” .



A050136

5.5.16 Check Rubber hose

- Every 1,000 hours
- When any crack or wear is found on the hoses, change it even before the scheduled time.
- Ask your nearest dealer for its replacement.

6. Maintenance/Adjustment

6.1 Maintenance of Battery

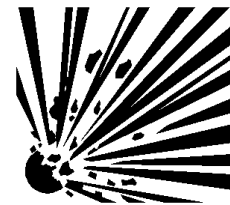


Handling battery

- Keep flames away from battery.
- Battery may generate hydrogen gas and may explode.
- Therefore, recharging should be done at a well-ventilated place.
- Do not spark near the battery nor light a match, nor bring lit cigarette and match close to the battery.
- Do not check the battery by short-circuiting the positive and negative terminals with a metallic piece.
- Never operate the machine nor charge the batteries with the battery liquid level being kept lower than the "LOWER" level. Continuing operation at this lower level will cause deterioration of such parts as pole plates etc., and also it may cause explosion as well as reduction of battery life.
Add distilled water so that the liquid level may reach the middle level between the "UPPER" and "LOWER" level without any delay.
- Do not charge the frozen battery. Otherwise it may explode. If the battery is frozen, warm it up until the battery temperature becomes 16°C to 30°C.
- Battery electrolyte is dilute sulfuric acid.
In case of mishandling, it could cause skin burning.
- Wear protective gloves and safety glasses when handling a battery.
- When such battery electrolyte contacts your clothes or skin, wash it away with large amount of water immediately.
- If the battery electrolyte gets into your eyes, wash it away immediately with plenty of water and see a doctor at once, because it is feared that eyesight might be lost.
- Dispose of battery, observing local regulations.



D004



W010



TR0093



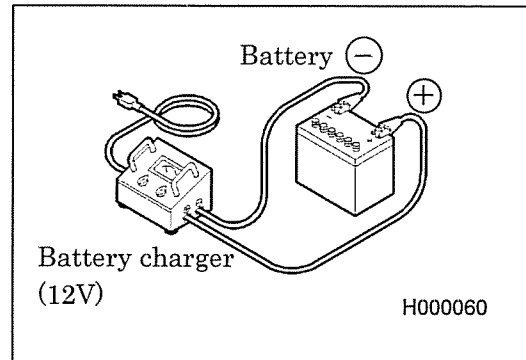
Reverse connection prohibited

- Never reverse the cable connections. - When a booster-cable is unavoidably used or when a set of cables is connected after a battery change, be sure to correctly connect the electric terminals (+) and (-). Reversely-connected cables will cause sparks or damage to components.

6. Maintenance/Adjustment

6.1.1 Charge Battery

- Disconnect the cable between battery and the unit, and charge the battery with a 12 V battery charger. Do not charge two batteries at the same time.
- Be sure not to connect (+) and (-) terminals backwards.
- Be sure to read the operation manual of the battery charger to know if it is applicable, before using it.



6.1.2 How to Use Booster Cable



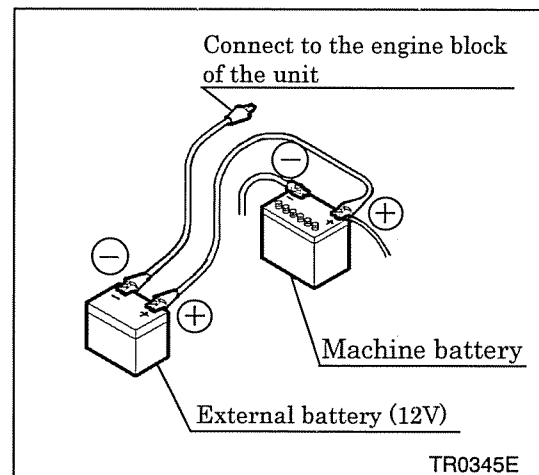
CAUTION

Do not connect the cable reversely

- When a booster cable has to be used or when cables are connected again after an battery is replaced, be careful not to connect (+) and (-) terminals backwards. Such wrong-connection will cause spark and damage to each component.

(Procedure for using a booster cable)

- ① Stop the engine.
- ② Connect one end of the (+) cable to the (+) terminal of the machine battery.
- ③ Connect the other end of the (+) cable to the (+) terminal of the external battery.
- ④ Connect one end of the (-) cable to the (-) terminal of the external battery.
- ⑤ Connect the other end of the (-) cable to the engine block of the machine.
- ⑥ Start up the engine.
- ⑦ Disconnect the booster cable by following the procedure back in the reverse order.



6. Maintenance/Adjustment

6.2 Troubleshooting

- Should any trouble occur during operation, do not leave it. Investigate the cause and take appropriate measures.
- Read the manual carefully and fully understand what to do in case of trouble.
- The better you understand the construction and function of the unit, the faster you can find a problem and solution.
- This chapter describes the state, cause and countermeasures of important troubles in detail:
- When “DIAGNOSTIC LAMP” turn on, push “DIAGNOSTIC BUTTON” and check “FAULT CODE”. See “OPERATOR'S MAUAL” and research the cause of trouble.

Symptom	Cause	Counter measures
Starter does not rotate. Low starter revolution speed even when starting.	(1)Battery malfunction	Check Battery Charge/Change
Starter rotates but engine does not start up.	(1)Fuel filter clogging (2)Fuel pre-filter clogging (3)No diesel fuel oil (4)Air mixing in fuel pipings	Disassemble, clean, and change Disassemble, clean, and change Replenish fuel Bleed air
Engine oil pressure drop warning lamp glows.	(1)Engine oil shortage (2)Engine oil filter clogging (3)Oil pressure switch malfunction (4)Loosened or disconnected wiring, or connector	Replenish fuel Change Change Check/repair
Coolant temperature rise warning lamp glows.	(1)Radiator clogging (2)Faulty thermostat (3)Faulty coolant temperature switch (4)Shortage of coolant (5)Slip of fan belt (6)Looseness, disconnection of wiring or connectors	Clean Change Change Replenish Adjust tension Check/repair
Leakage warning lamp glows.	(1)Leakage on generator side (2)Leakage on load side (3)Leakage on connecting cable (4)Defective leakage relay	Check/repair Check/repair Check/repair Check/repair
The warning lamp for air filter clogging flickers.	(1) Air filter clogging	Clean

6. Maintenance/Adjustment

Symptom	Cause	Counter measures
Even when operated at a rated speed, no voltage or too low voltage generated.	(1) Faulty voltmeter (2) Poor tightening of terminals (3) Broken or short-circuited winding of generator main unit (4) Faulty AVR (5) Faulty silicon rectifier (mounted on generator rotor) (6) Faulty exciter (7) Broken or short-circuited circuit to exciter field winding (8) AVR frequency selection switch is not set to meet the frequency to be operated. (9) Function circuit protector (CP) for AVR protection	Check/change Check/repair Check/repair Check/change Check/change Check/repair Check/repair Check/select Reset
Too high voltage generated when set at the rated frequency (50Hz/60Hz), Voltage will not drop even when the voltage regulator controlling knob is turned.	(1) Loosened or disconnected wiring, or connector to AVR (2) Faulty AVR (3) Broken wire or poor contact of AVR variable resistor	Check/repair Check/change Repair or change
Unstable voltage generation	(1) Poor tightening of each terminal (2) Faulty AVR (3) Function circuit protector (CP) for AVR protection	Check/repair Check/change Reset

- Please contact your nearest dealer if you find it difficult to repair by yourselves.
- Please refer to the engine operation manual for troubles concerning the engine.

7. Storage of the Unit

7.1 Preparation for Long-term Storage

When the unit is to be kept unused in storage for a long time, be sure to follow the preparations below and put the unit in a dry and less dusty place.

- Put the unit in a temporary cabin if it is stored outside. Avoid leaving the unit outside with a sheet cover directly on the paint for a long time, or this will cause rust to the unit.
- Perform the following treatments at least once every three months.

(Procedure)

Discharge existing lubricant from the engine oil pan. Pour new lubricant in the engine to clean its inside. After running it for a while, drain it again.

Spread lubricant on each moving part.

Completely charge the battery and disconnect grounding wires. Remove the battery from the unit, if possible, and store it in a dry place. (Charge the battery at least once every month.)

Discharge coolant and fuel from the unit.

Seal air-intake port of engine and other openings like the muffler with a vinyl sheet, packing tape, etc., to prevent moisture and dust from getting in the unit.

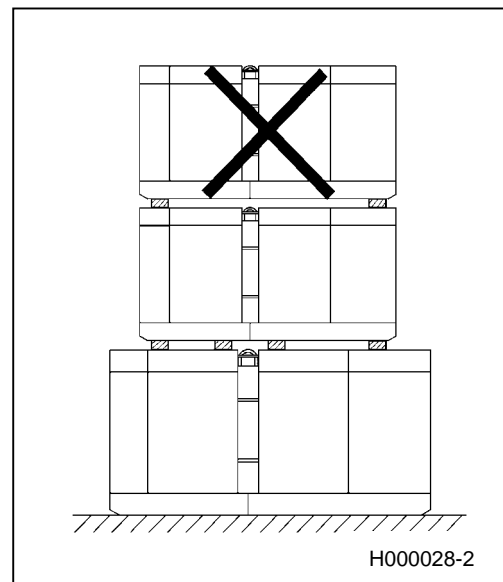
Be sure to repair any trouble and maintain the unit so that it will be ready for the next operation.



WARNING

Stacking up box type machines

- When stacking up the machines for storage, only two units stacking is acceptable. The mass of the lower machine should be larger than that of the upper one.
- Select a leveled floor with sufficient strength.
- Before stacking the machines up, check the machine for deformation of bonnet, looseness or missing of bolts, and other parts.
- When stacking them, be sure to securely fix them as shown in the figure so that the balanced weight is applied to each squared lumber for preventing a sideslip or a collapse. (Make sure to use 4 pieces of rectangular lumber.)
- Never operate the machines with stacking conditions. It is very dangerous.
- Machines stacked could fall down due to sideslip or collapse when an earthquake occurs. Therefore, safety should be sufficiently considered for surroundings of storage places.



8. Specifications

8.1 Specifications

Model		SDG125S-6A6			
Generator	Exciting system		Brushless		
	Armature connection		Star with Neutral	ZigZag	
	Phase number		Three	Single	
	Power factor	%	80	100	
	Frequency	Hz	60		
	Rated output	kVA	125	72	
	Rated output	kW	100	72	
	Voltage	V	240	480	240/120
	Current	A	300	150	300
Engine	Model		VOLVO TAD720GE		
	Type		4-cycle, water-cooled, direct injection, turbo charged, intercooled		
	Number of cylinders		6		
	Total displacement	cu. in. (L)	436 (7.15)		
	Rated output	hp (kW)	190.4 (142)		
	Revolution per minute	rpm (min ⁻¹)	1,800 (1,800)		
	Lubricating oil capacity	gal. (L)	5.3 (20)		
	Coolant capacity (including radiator)	gal. (L)	6.6 (25)		
General Specifications	Battery		170F51 (12V)		
	Fuel tank capacity	gal. (L)	66 (250)		
	Overall length	in. (mm)	119 (3,030)		
	Overall width	in. (mm)	46 (1,180)		
	Overall height	in. (mm)	58 (1,480)		
	Net dry mass (weight)	lbs (kg)	4,805 (2,180)		
Operating mass (weight)	lbs (kg)	5,335 (2,420)			

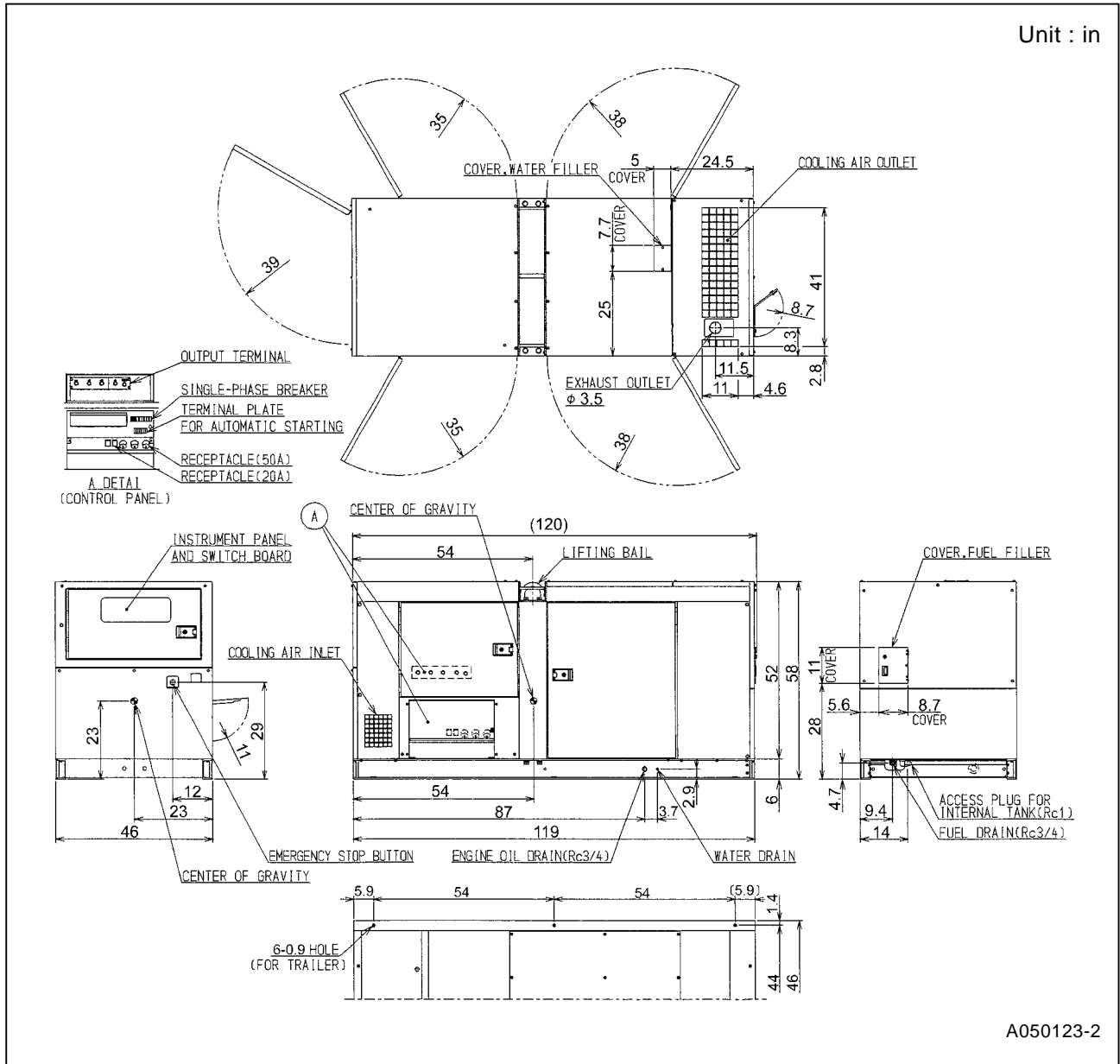
8. Specifications

Model		SDG150S-6A6			
Generator	Exciting system		Brushless		
	Armature connection		Star with Neutral	ZigZag	
	Phase number		Three	Single	
	Power factor	%	80	100	
	Frequency	Hz	60		
	Rated output	kVA	150	87	
	Rated output	kW	120	87	
	Voltage	V	240	480	240/120
	Current	A	361	180	363
Engine	Model		VOLVO TAD720GE		
	Type		4-cycle, water-cooled, direct injection, turbo charged, intercooled		
	Number of cylinders		6		
	Total displacement	cu. in. (L)	436 (7.15)		
	Rated output	hp (kW)	190.4 (142)		
	Revolution per minute	rpm (min ⁻¹)	1,800 (1,800)		
	Lubricating oil capacity	gal. (L)	5.3 (20)		
	Coolant capacity (including radiator)	gal. (L)	6.6 (25)		
General Specifications	Battery		170F51 (12V)		
	Fuel tank capacity	gal. (L)	66 (250)		
	Overall length	in. (mm)	119 (3,030)		
	Overall width	in. (mm)	46 (1,180)		
	Overall height	in. (mm)	58 (1,480)		
	Net dry mass (weight)	lbs (kg)	5,137 (2,330)		
Operating mass (weight)	lbs (kg)	5,665 (2,570)			

8. Specifications

8.2 Outline drawing

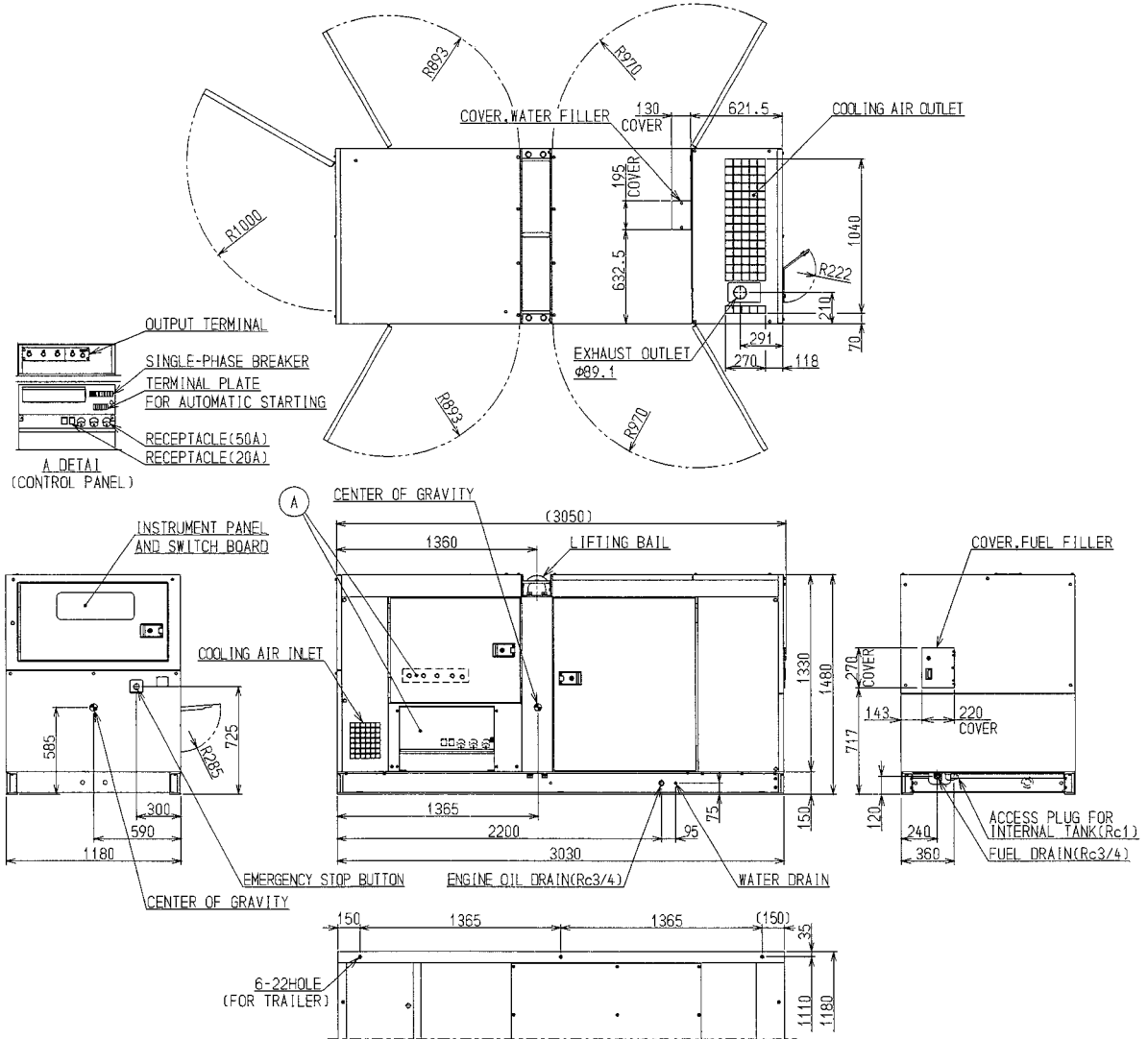
SDG125S-6A6



8. Specifications

SDG125S-6A6

Unit : mm

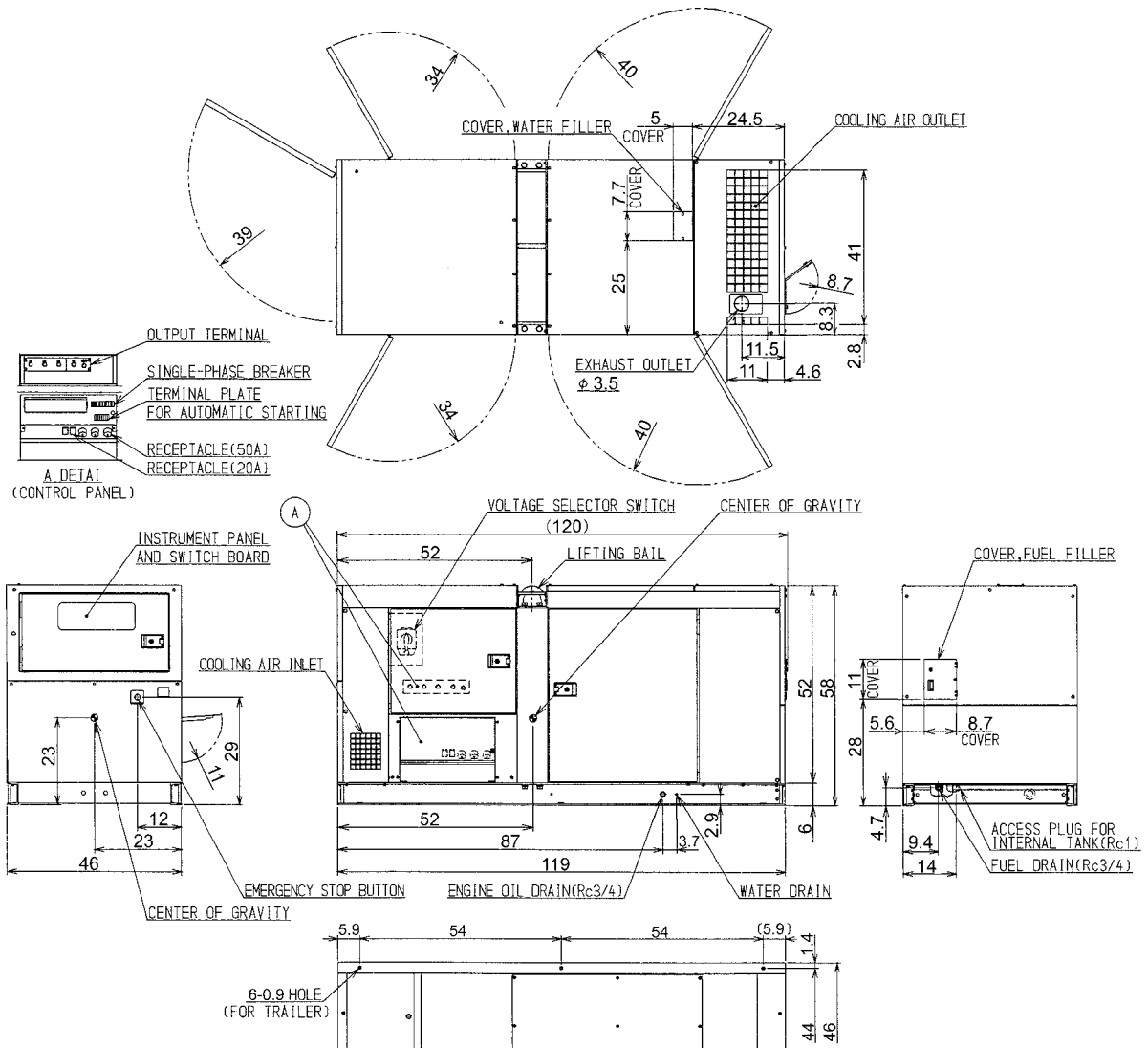


A050123-1

8. Specifications

SDG150S-6A6

Unit : in.

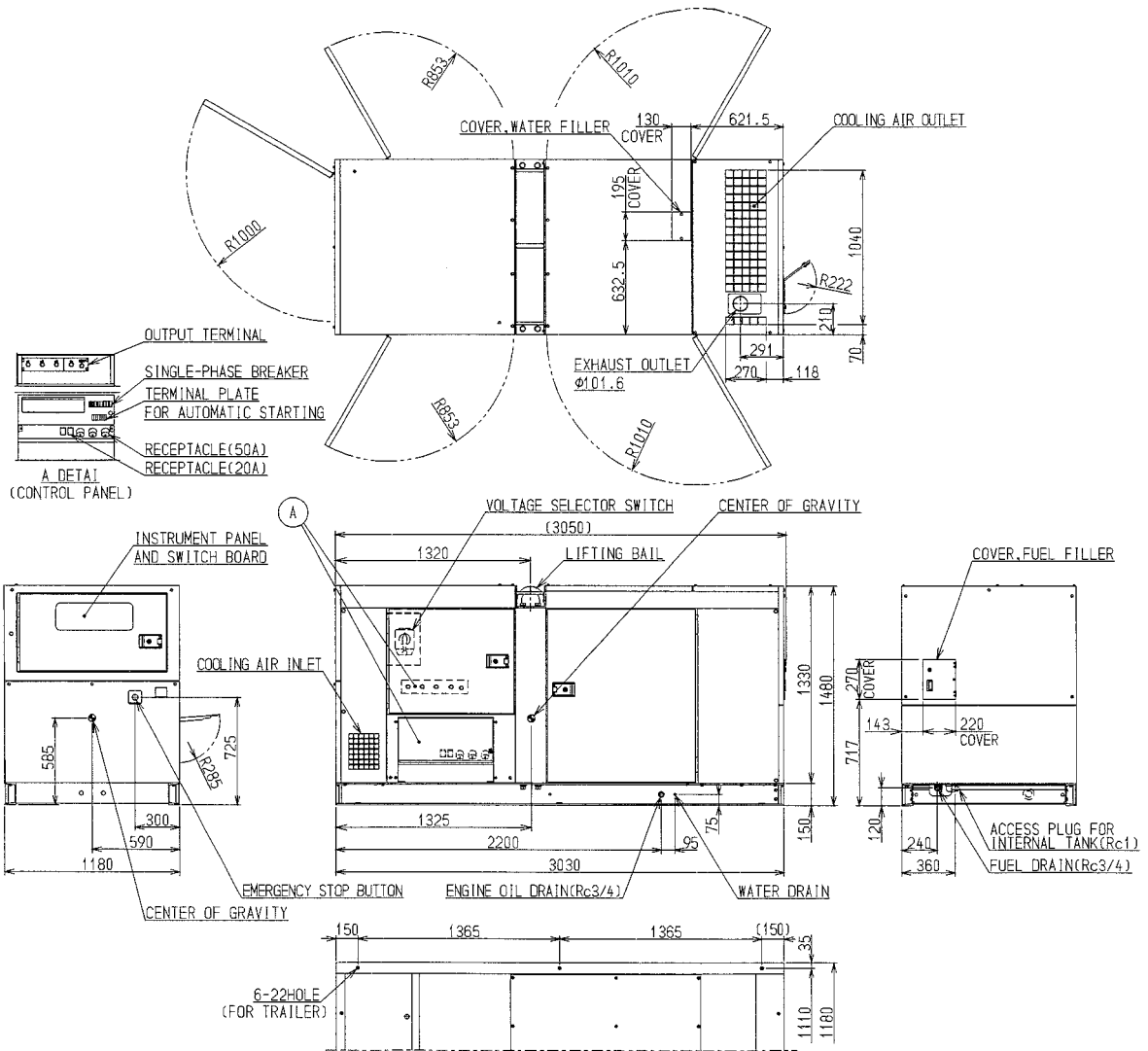


A050563-2

8. Specifications

SDG150S-6A6

Unit : mm

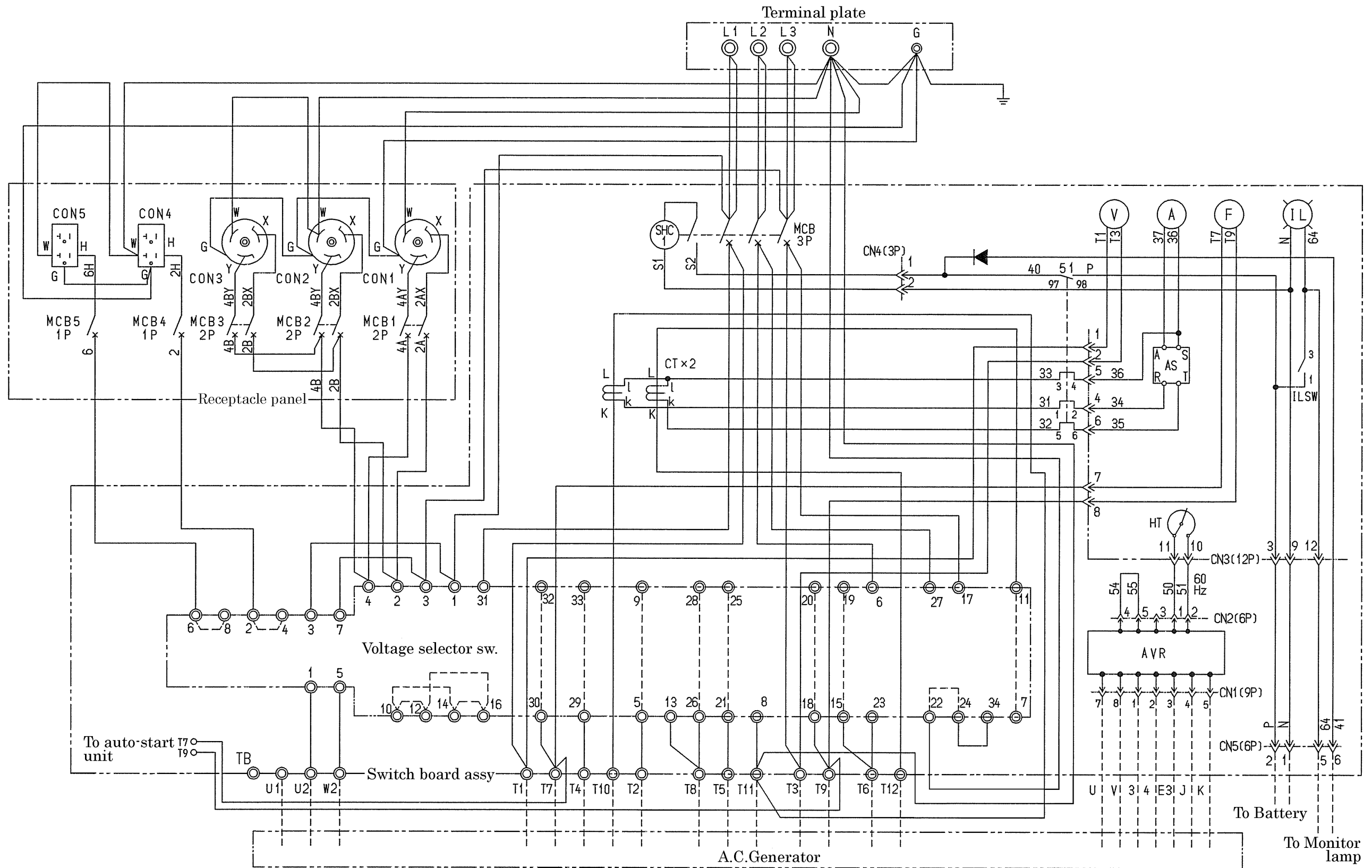


A050563

9. Wiring Diagram

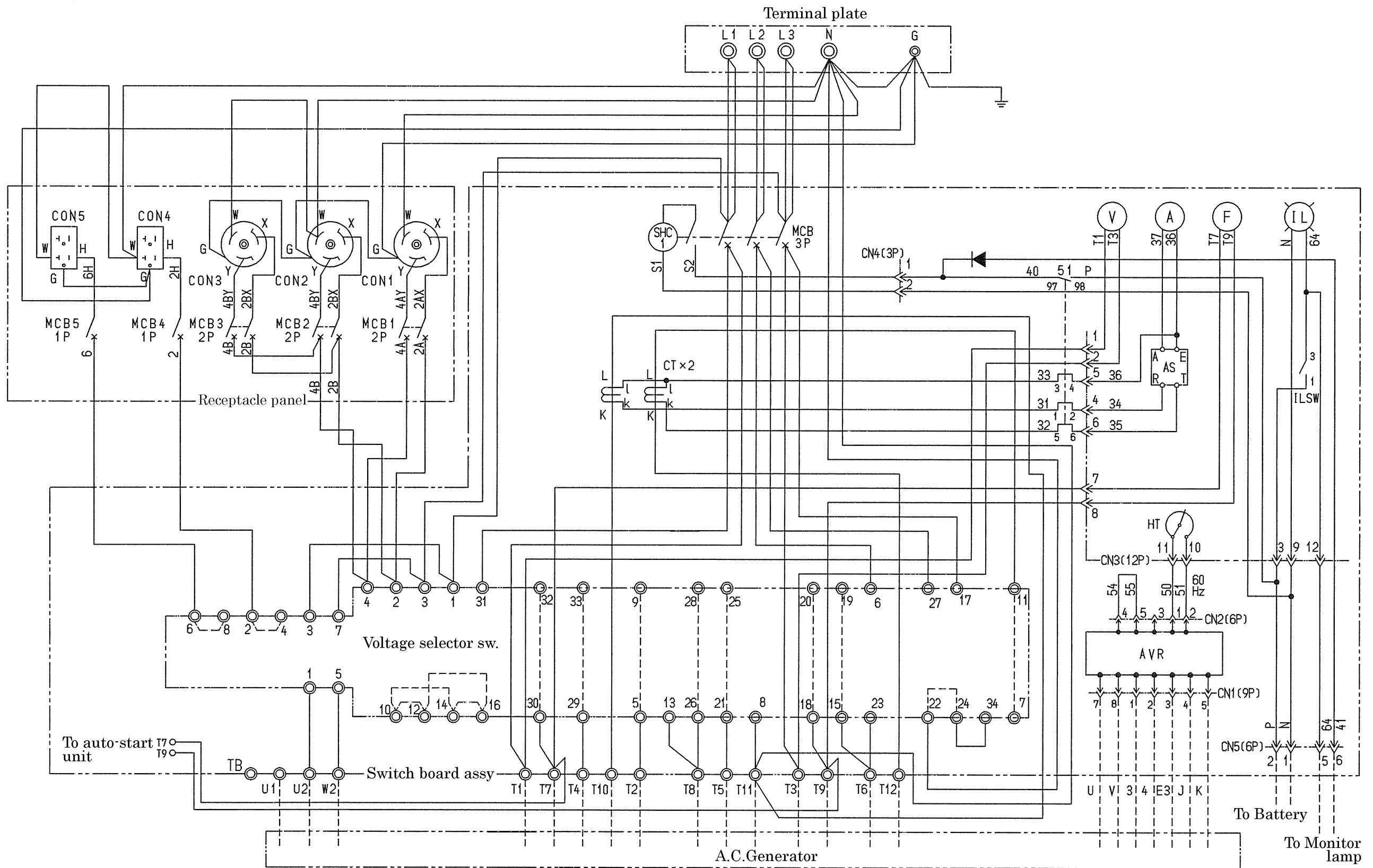
9.1 Generator Wiring Diagram

SDG125S-6A6



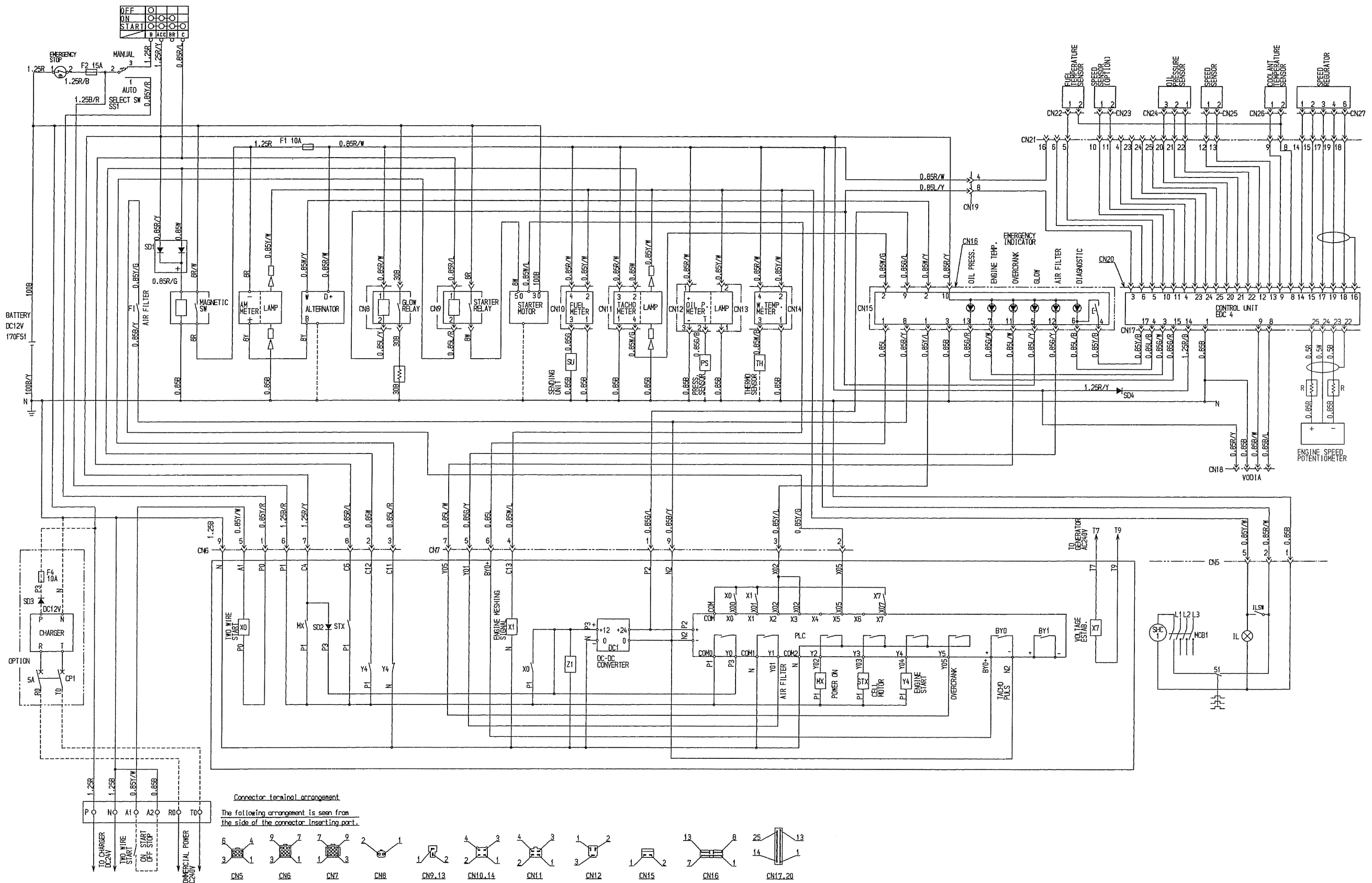
9. Wiring Diagram

SDG150S-6A6



9. Wiring Diagram

9.2 Engine Wiring Diagram



HOKUETSU INDUSTRIES CO., LTD.

8TH FLOOR SHINJUKU SAN-EI BLDG,
22-2 NISHI-SHINJUKU 1-CHOME, SHINJUKU-KU
TOKYO 160-0023 JAPAN
TEL:81-3-3348-7281
FAX:81-3-3348-7289
URL:<http://www.airman.co.jp>



AIRMAN

HOKUETSU INDUSTRIES CO., LTD.