

**AIRMAN**

---

**SG**

---

**PARTS CATALOG**

**ENGINE GENERATOR**

**SDG125S-8E1**

適 用 型 式  
FOR MODEL

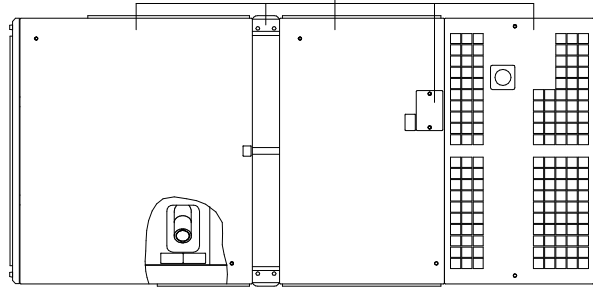
| 型 式<br>MODEL | 適 用 号 機<br>SER. NO. |
|--------------|---------------------|
| SDG125S-8E1  | 1268E10052~         |

|                                       |   |
|---------------------------------------|---|
| 原 動 機 型 式<br>ENGINE MODEL             | ISUZU BR-4HK1X                          |
| Eng.oil filter element                | ISUZU 898375-8600<br>(純正部番 42910 00500) |
| Fuel filter, element<br>(pre filter)  | ISUZU 898074-2881<br>(純正部番 43543 00900) |
| Fuel filter, element<br>(main filter) | ISUZU 898312-9180<br>(純正部番 43543 02800) |
| DEF Dosing unit filter                | ISUZU 898350-7160                       |
| Belt, cooling fan                     | ISUZU 113671-5220                       |

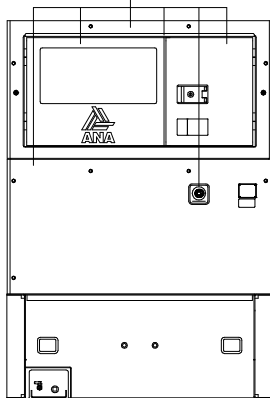
# STANDARD PAINTING

## 標準塗装色

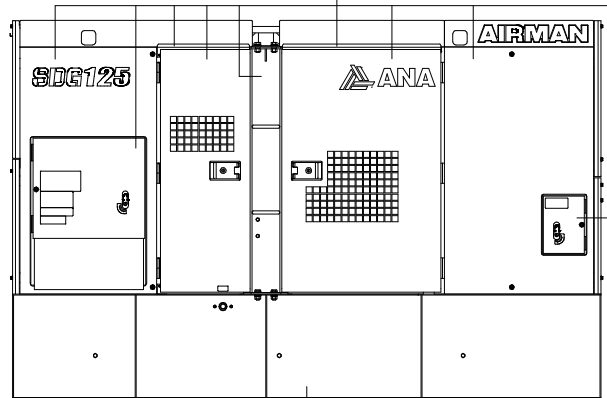
White  
ホワイト



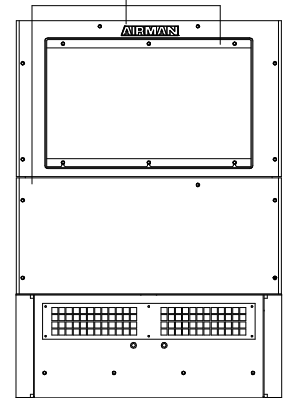
White  
ホワイト



White  
ホワイト

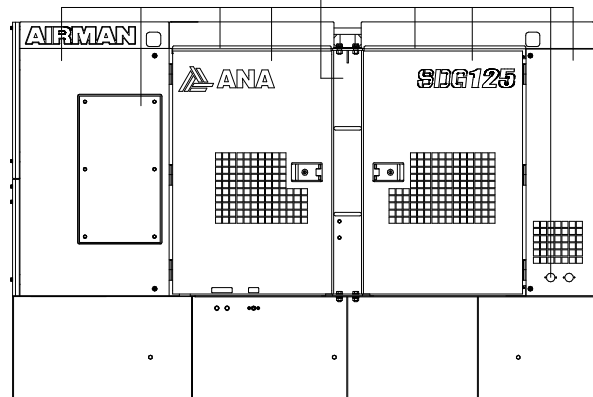


White  
ホワイト



Charcoal Gray  
チャコールグレー

White  
ホワイト



# NOTICE

1. This parts catalog contains all the parts and assemblies of "AIRMAN" brand products. The complete unit is divided into several parts groups, the details of which are clearly illustrated, and completely listed. So desired part number, name and quantity can be easily determined referring to Ref.No.
2. When you place order for service parts, please be sure to advise us of the following information.
  - (1) Part number.
  - (2) Quantity required.
  - (3) Part name.
  - (4) Model name and Serial number.
3. How to read parts catalog.

| (8) 備考<br>Remarks                                |                  |                                     |   |            |                               |           |               |
|--|------------------|-------------------------------------|---|------------|-------------------------------|-----------|---------------|
| S : STD.<br>SC : w. AFTER COOLER<br>SD : DRY AIR |                  |                                     |   |            |                               |           |               |
| 52 - 00 LINING                                   |                  |                                     |   |            |                               |           |               |
| (1)  | (2)              | (3)                                 | (4)   | (5)        | (6)                           | (7)       | (8)           |
| 見出番号<br>Ref. NO.                                 | 部品番号<br>Part NO. | 互換性<br>Inter-<br>change-<br>ability | 部品名称<br>Part Name                             | 数量<br>Q'ty | 適用号機範囲<br>Applicable Ser. No. | 変更<br>C/H | 備考<br>Remarks |
|  | 52900 04921      |                                     | URETHANE FOAM KIT                             |            |                               |           | S SC SD       |
|  | 52900 05121      |                                     | URETHANE FOAM KIT<br>(Const. No. 1~21)        |            |                               |           | ◎             |
|  | 52900 06121      |                                     | URETHANE FOAM KIT<br>(Const. No. 1~9 & 11~24) |            |                               |           | ◎             |
| 1  | 52959 71350      |                                     | Lining  | 1          |                               |           |               |
| 2  | 52959 97640      |                                     | Lining  | 1          |                               |           |               |
| 3  | 52959 80220      |                                     | Lining  | 1          |                               |           |               |
| 4  | 52959 71450      |                                     | Lining  | 1          |                               |           |               |
| 5  | 52959 71550      |                                     | Lining  | 1          |                               |           |               |
| 6  | 52959 30940      |                                     | Lining  | 1          |                               |           |               |
| 7  | 52959 71650      |                                     | Lining  | 2          |                               |           |               |

(1) Ref. No.

Reference number (Ref.No.) is to be used for locating the part number and name from the illustrations. (However some parts such as bolts and nuts etc., are not illustrated but their reference numbers only listed.)

Ref.No.1, 1-1, 1-2,..... shows history of part modifications.

[These reference numbers mean 1: primary period, 1-1: first alteration, 1-2: second alteration and 1-3.....follows]

(2) Part No.

Every part has its own proper number. Even if a part has the same shape as an other part and if its number different, it is not interchangeable at all in many cases.

(3) Interchangeability

A, B, C, D, E, Q, X, Y and Z in column "Interchangeability" show the following.

A: A new part can replace an old part, but an old part cannot replace a new part.

B: Not interchangeable.

C: Disused.

D: Newly added.

E: Compatible with eachother.

Q: Quantity per unit changed.

X: Included in this set of parts, this part is not used for this model.

Y: Part to be selected.

Z: This part can not be supplied as an individual part.

- (4) Part name  
Every part has its own proper name.
- (5) Q' ty  
The number shown in the column of Q' TY indicates the quantity of parts used per one unit machine.
- (6) Applicable Ser.No. (Serial Number)  
Ser.No. shows the machine number to which the part is applicable.  
Month and year stated in column "Ser.No." show the month and year from which the part is applicable.
- (7) Change column  
M1, M2, ..... Mn mentioned in the column indicate the change of part number and the serial number of the unit, the part of which was modified.
- (8) Remarks  
This column "Remarks" mentions in mark or signal the specifications of each part, original part number of manufacturer, model name of the part for which is used and etc.  
[Example. SC:w. AFTER COOLER]

4. Abbreviations used in this catalog.

|        |               |        |                        |
|--------|---------------|--------|------------------------|
| ass' y | assembly      | L      | Length                 |
| A      | Ampere        | OPT.   | Option                 |
| AUTO.  | Automatic     | SPC/S. | Special specifications |
| C/H    | Change column | STD.   | Standards              |
| Const. | Consisting of | sw.    | switch                 |
| Cont.  | Control       | T or t | Thickness              |
| Eng.   | Engine        | V      | Volt                   |
| EXP.   | Export        | W      | Watt                   |
| GEN.   | Generator     | w.     | with                   |
| Incl.  | Including     | w/o    | without                |

NOTE:※We are always engaged in improving our products. So there may be some changes of the product which are not yet mentioned in this parts catalog. Therefore, in necessary case, we issue a revision in which such changes are added. When you have any question on the parts catalog, please ask your nearest dealer or directly us.  
※For engine parts, please refer to separate engine parts catalog.

## 目 次 CONTENTS

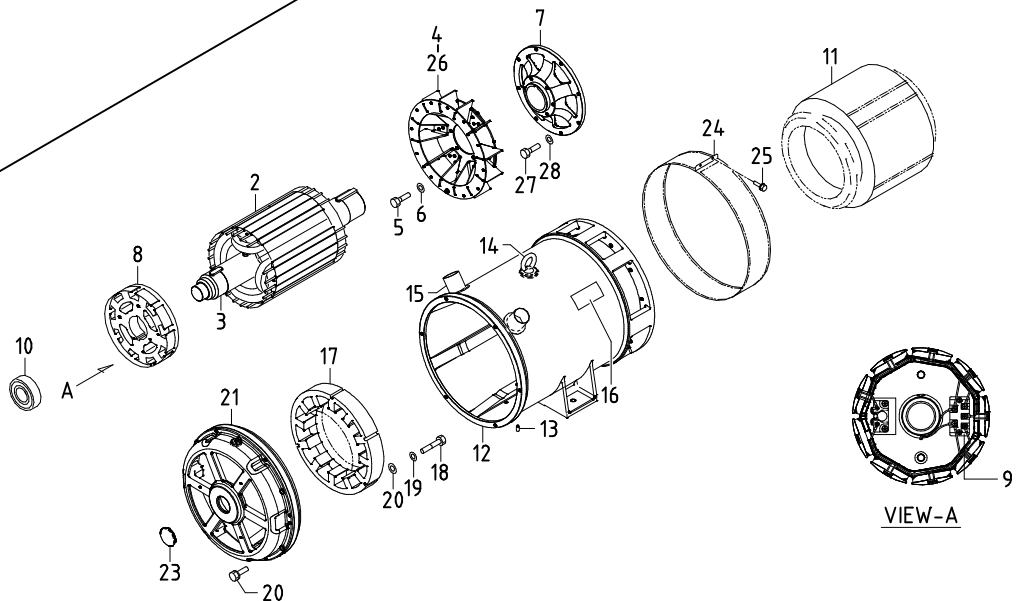
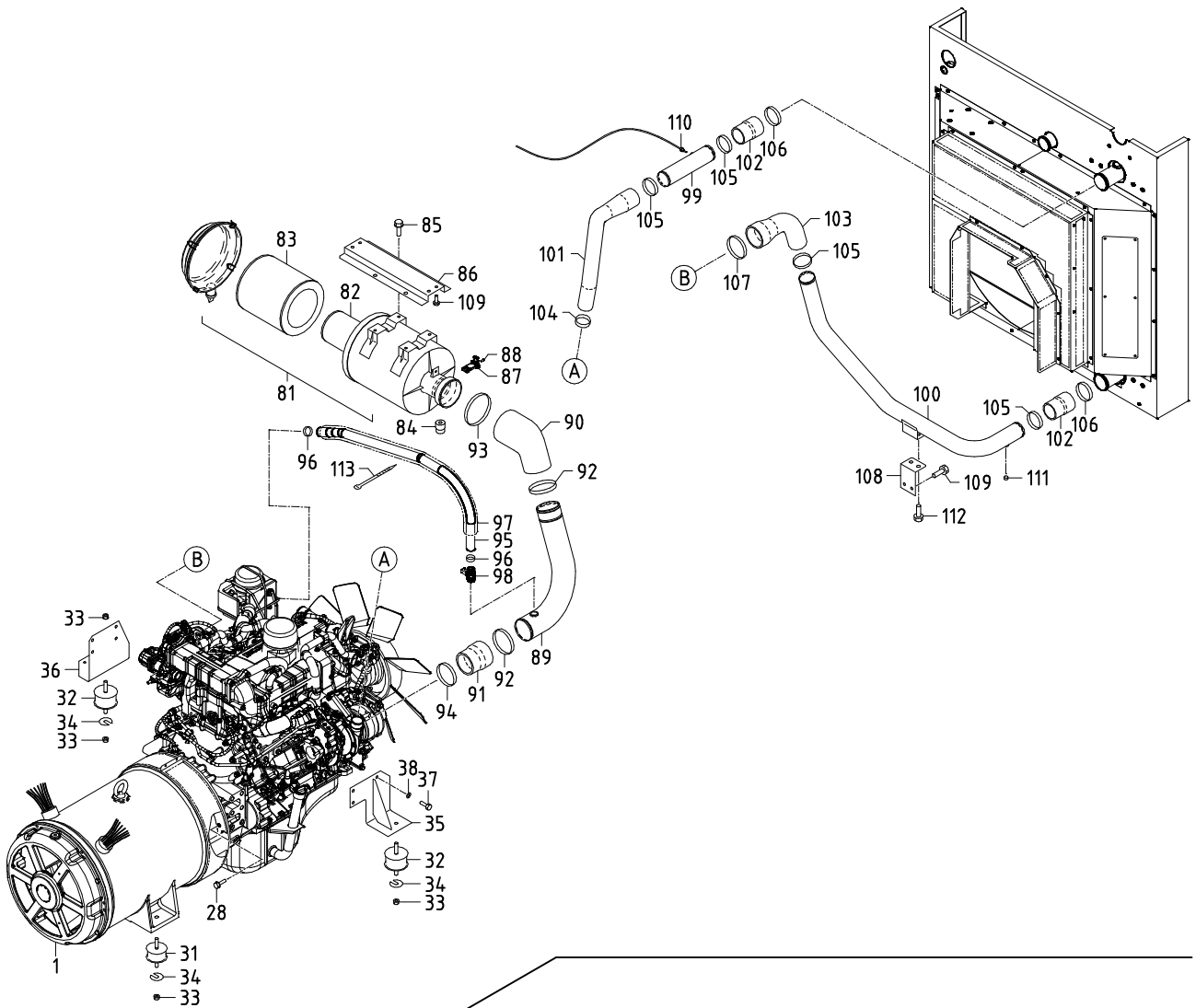
| 図 番 号<br>FIG. NO. | 図 名 称<br>FIG. NAME           | 頁<br>PAGE             |          |
|-------------------|------------------------------|-----------------------|----------|
| 25 - 00           | GENERATOR, MOUNTING & INTAKE | ゼネレータ, マウンティング, インテーク | 25 - 1~3 |
| 38 - 00           | COOLING LINE                 | クーリング ライン             | 38 - 1~2 |
| 39 - 00           | NAME PLATE                   | ネーム プレート              | 39 - 1~3 |
| 41 - 00           | ENGINE & EXHAUST             | エンジン, エキゾースト          | 41 - 1~3 |
| 43 - 00           | FUEL LINE                    | フュエル ライン              | 43 - 1~3 |
| 43 - 01           | DEF LINE                     | 尿素 ライン                | 43 - 4~5 |
| 44 - 00           | ELECTRIC (for ENGINE)        | エレクトリック (エンジン用)       | 44 - 1~3 |
| 46 - 00           | ELECTRIC (for GENERATOR)     | エレクトリック (ゼネレータ用)      | 46 - 1~3 |
| 46 - 01           | TERMINAL PLATE               | 出力端子板                 | 46 - 4   |
| 51 - 00           | FRAME & BONNET               | フレーム, ボンネット           | 51 - 1~4 |
| 51 - 01           | OIL FENCE                    | オイル フェンス              | 51 - 5   |
| 52 - 00           | LINING                       | ライニング                 | 52 - 1~2 |

### 型 式 名 の 見 方 HOW TO READ MODELS

S D G 125 S - 8 E 1  
 ①                      ②    ③                      ④   ⑤   ⑥

- ① SDG : SEMI PORTABLE DIESEL GENERATOR
- ② 125 : OUTPUT (kVA)
- ③ S : SILENT TYPE
- ④ 8 : NORTH AMERICA TYPE
- ⑤ MODEL CHANGE MARK
- ⑥ VARIATION MARK

- ① SDG : セミポータブルディーゼル発電機
- ② 125 : 定格出力 (kVA)
- ③ S : 防音型
- ④ 8 : 北米仕様
- ⑤ モデルチェンジ記号
- ⑥ バリエーション記号



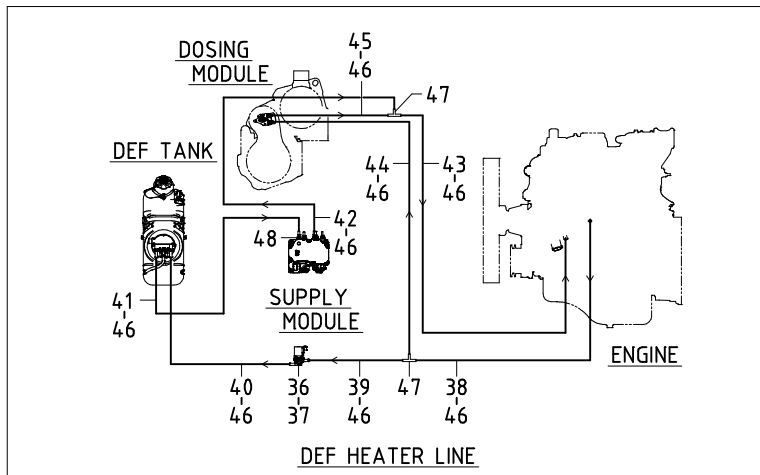
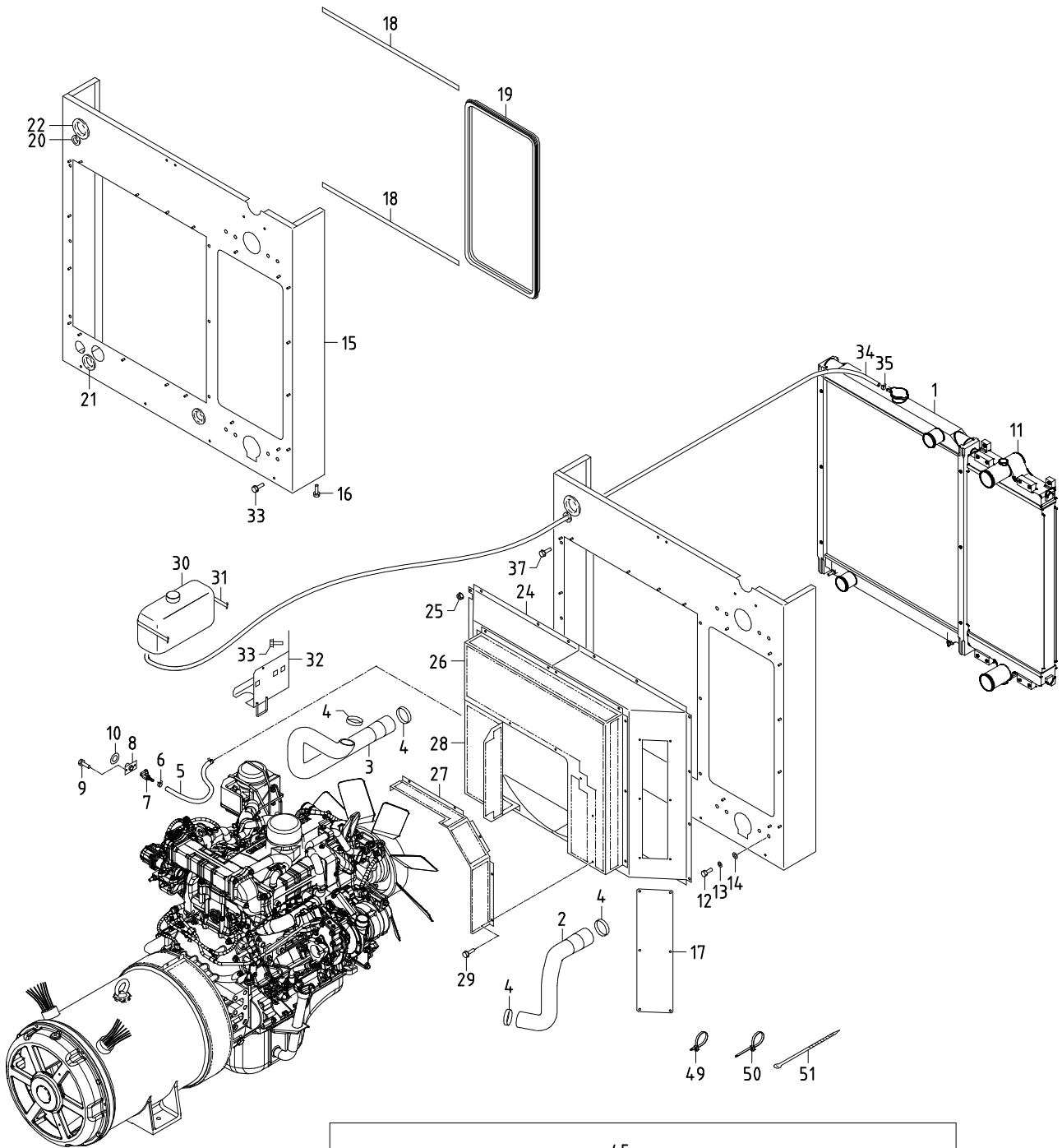
## 25 - 00 GENERATOR, MOUNTING &amp; INTAKE

| 見出番号<br>Ref. NO.  | 部品番号<br>Part NO. | 互換性<br>Inter-<br>change<br>ability | 部 品 名 称                     |             | 数量<br>Q'ty | 適用号機範囲<br>Applicable Ser. No. |   | 変更<br>C/H | 備 考<br>Remarks        |
|---|------------------|------------------------------------|-----------------------------|-------------|------------|-------------------------------|---|-----------|-----------------------|
|   |                  |                                    | Part Name                   |             |            | 8E1                           | - |           |                       |
|   | 25 - 00          |                                    | GENERATOR GROUP             | ゼネレータグループ   |            |                               |   |           |                       |
| 1   | 20003 67501      |                                    | Generator                   | ゼネレータ       | 1          |                               |   |           | Const. No. 2~29       |
| 2   | 25100 10400      |                                    | A. C. G. rotor ass'y        | 主発電機界磁巻線    | 1          |                               |   |           | (回転子)                 |
| 3   | 25151 05103      |                                    | Shaft                       | シャフト        | 1          |                               |   |           |                       |
|   | 03307 16310      |                                    | Key                         | キー          | 1          |                               |   |           | (A. C. G. rotor side) |
|   | 03307 16056      |                                    | Key                         | キー          | 1          |                               |   |           | (EX. rotor side)      |
|   | 03307 16090      |                                    | Key                         | キー          | 1          |                               |   |           | (coupling side)       |
| 4   | 25140 05904      |                                    | Fan                         | ファン         | 1          |                               |   |           |                       |
| 5   | 02248 10025      |                                    | Bolt                        | ボルト         | 6          |                               |   |           |                       |
| 6   | 03115 02010      |                                    | Spring washer               | スプリングワッシャー  | 6          |                               |   |           |                       |
| 7   | 61121 09901      |                                    | Coupling, drive             | カップリング      | 1          |                               |   |           |                       |
| 8   | 25600 01601      |                                    | EX. rotor ass'y             | 励磁機電機子巻線    | 1          |                               |   |           | Incl. No. 9           |
| A. C. G. ロータ・シャフト・キー・ファン・EX. ロータ(見出番号2~5)は、セットご注文下さい                                    |                  |                                    |                             |             |            |                               |   |           |                       |
| A set of A. C. G. rotor, shaft, key, fan & EX. rotor (Ref. NO. 2-5), should be ordered. |                  |                                    |                             |             |            |                               |   |           |                       |
| 9   | 46921 10300      |                                    | Silicon rectifier           | 整流器         | 1          |                               |   |           | (DF100AA160)          |
| 10  | 21472 19600      |                                    | Bearing                     | ベアリング       | 1          |                               |   |           | (6310ZZC3)            |
| 11  | 25200 14000      |                                    | A. C. G. stator ass'y       | 主発電機電機子巻線   | 1          |                               |   |           | (固定子)                 |
| 12  | 25310 11902      |                                    | Casing                      | ケーシング       | 1          |                               |   |           |                       |
| A. C. G. ステータ・ケーシングは、セットご注文下さい  |                  |                                    |                             |             |            |                               |   |           |                       |
| A set of A. C. G. stator & casing, should be ordered.                                   |                  |                                    |                             |             |            |                               |   |           |                       |
| 13  | 02601 10016      |                                    | Set screw                   | セットスクリュー    | 3          |                               |   |           |                       |
| 14  | 52742 00300      |                                    | Eye bolt                    | アイボルト       | 1          |                               |   |           |                       |
| 15  | 36135 02200      |                                    | Grommet                     | グロメット       | 2          |                               |   |           | (cable protect)       |
| 16  | 39178 79740      |                                    | Plate (SER. NO.)            | セリアル銘板      | 1          |                               |   |           |                       |
| 17  | 25700 09200      |                                    | EX. stator ass'y            | 励磁機界磁巻線     | 1          |                               |   |           | (固定子)                 |
| 18  | 02135 08060      |                                    | Bolt                        | ボルト         | 3          |                               |   |           |                       |
| 19  | 03115 02008      |                                    | Spring washer               | スプリングワッシャー  | 3          |                               |   |           |                       |
| 20  | 03116 12008      |                                    | Plain washer                | プレーンワッシャー   | 3          |                               |   |           |                       |
| 21  | 25310 12101      |                                    | Casing                      | ケーシング       | 1          |                               |   |           |                       |
| 22  | 02238 10030      |                                    | Bolt, w/w                   | ワッシャー付ボルト   | 6          |                               |   |           |                       |
| 23  | 36135 02300      |                                    | Grommet                     | グロメット       | 1          |                               |   |           |                       |
| 24  | 25360 09400      |                                    | Cover                       | カバー         | 1          |                               |   |           |                       |
| 25  | 02248 06035      |                                    | Bolt, w/w                   | ワッシャー付ボルト   | 2          |                               |   |           |                       |
| 26  | 02135 06016      |                                    | Bolt                        | ボルト         | 1          |                               |   |           | (for adjustment)      |
|   | 03115 02006      |                                    | Spring washer               | スプリングワッシャー  | 1          |                               |   |           | (for adjustment)      |
|   | 02915 00006      |                                    | Hexagon flange nut          | フランジ付ナット    | 1          |                               |   |           | (for adjustment)      |
|   | 52744 03500      |                                    | Washer                      | ワッシャー       | 1          |                               |   |           | (for adjustment)      |
| 27  | 02135 10030      |                                    | Bolt                        | ボルト         | 8          |                               |   |           |                       |
| 28  | 03115 40010      |                                    | Spring washer               | スプリングワッシャー  | 8          |                               |   |           |                       |
| 29  | 02238 10030      |                                    | Bolt, w/w                   | ワッシャー付ボルト   | 12         |                               |   |           |                       |
|   | 31 - 00          |                                    | MOUNTING GROUP              | マウンティンググループ |            |                               |   |           |                       |
| 51  | 31130 09100      |                                    | Vibration<br>isolator ass'y | 防振ゴム        | 2          |                               |   |           |                       |
| 52  | 31130 27900      |                                    | Vibration<br>isolator ass'y | 防振ゴム        | 2          |                               |   |           |                       |
| 53  | 02915 20012      |                                    | Nut, w/w                    | ワッシャー付ナット   | 6          |                               |   |           |                       |
| 54  | 31120 08900      |                                    | Shim                        | シム          | 1          |                               |   |           |                       |
| 55  | 31110 23210      |                                    | Bracket                     | ブラケット       | 1          |                               |   |           |                       |
| 56  | 31110 23310      |                                    | Bracket                     | ブラケット       | 1          |                               |   |           |                       |



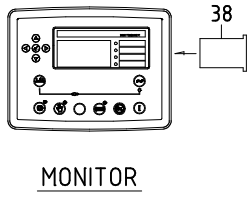
## 25 - 00 GENERATOR, MOUNTING &amp; INTAKE

| 見出番号<br>Ref. NO. | 部品番号<br>Part NO. | 互換性<br>Inter-<br>change<br>ability | 部 品 名 称                   |               | 数量<br>Q' ty | 適用号機範囲<br>Applicable Ser. No. |   | 変更<br>C/H | 備 考<br>Remarks      |
|------------------|------------------|------------------------------------|---------------------------|---------------|-------------|-------------------------------|---|-----------|---------------------|
|                  |                  |                                    |                           | Part Name     |             | 8E1                           | - |           |                     |
| 57               | 02135 10035      |                                    | Bolt                      | ボルト           | 8           |                               |   |           |                     |
| 58               | 03115 02010      |                                    | Spring washer             | スプリング ワッシャー   | 8           |                               |   |           |                     |
|                  | 32 - 00          |                                    | INTAKE GROUP              | インテーク グループ    |             |                               |   |           |                     |
| 81               | 32100 46500      |                                    | Air filter ass'y          | エア フィルタ       | 1           |                               |   |           | Const. No. 82~83    |
| 82               | 32143 17800      |                                    | Element (inner)           | エレメント (インナー)  | 1           |                               |   |           | (ISUZU 898379-0460) |
| 83               | 32143 17900      |                                    | Element (outer)           | エレメント (アウトター) | 1           |                               |   |           | (ISUZU 898379-0550) |
| 84               | 32148 03000      |                                    | Filter, service indicator | インジケータ        | 1           |                               |   |           |                     |
| 85               | 02201 10012      |                                    | Flange bolt               | フランジ 付ボルト     | 4           |                               |   |           |                     |
| 86               | 32240 51800      |                                    | Bracket                   | ブラケット         | 1           |                               |   |           |                     |
| 87               | 44364 09400      |                                    | Thermo sensor             | MAFセンサ        | 1           |                               |   |           | (ISUZU 897601-9670) |
| 88               | 02415 64010      |                                    | Screw, w/w                | ワッシャー付スクリュー   | 2           |                               |   |           |                     |
| 89               | 32320 76100      |                                    | Pipe                      | パイプ           | 1           |                               |   |           |                     |
| 90               | 32331 97800      |                                    | Hose                      | ホース           | 1           |                               |   |           |                     |
| 91               | 32331 97700      |                                    | Hose                      | ホース           | 1           |                               |   |           |                     |
| 92               | 03511 20110      |                                    | Hose clip                 | ホース クリップ      | 2           |                               |   |           |                     |
| 93               | 03511 20140      |                                    | Hose clip                 | ホース クリップ      | 1           |                               |   |           |                     |
| 94               | 03511 20100      |                                    | Hose clip                 | ホース クリップ      | 1           |                               |   |           |                     |
| 95               | 32331 98200      |                                    | Hose                      | ホース           | 1           |                               |   |           |                     |
| 96               | 03511 20040      |                                    | Hose clip                 | ホース クリップ      | 2           |                               |   |           |                     |
| 97               | 37182 06500      |                                    | Cushion rubber            | クッション ラバー     | 1           |                               |   |           |                     |
| 98               | 46850 05300      |                                    | Heater                    | ヒータ           | 1           |                               |   |           |                     |
| 99               | 32320 76201      |                                    | Pipe                      | パイプ           | 1           |                               |   |           |                     |
| 100              | 32320 76300      |                                    | Pipe                      | パイプ           | 1           |                               |   |           |                     |
| 101              | 32331 98000      |                                    | Hose                      | ホース           | 1           |                               |   |           |                     |
| 102              | 32332 08102      |                                    | Hose                      | ホース           | 1           |                               |   |           |                     |
| 103              | 32331 98100      |                                    | Hose                      | ホース           | 1           |                               |   |           |                     |
| 104              | 03511 50065      |                                    | Hose clip                 | ホース クリップ      | 1           |                               |   |           |                     |
| 105              | 03511 50075      |                                    | Hose clip                 | ホース クリップ      | 4           |                               |   |           |                     |
| 106              | 03511 50085      |                                    | Hose clip                 | ホース クリップ      | 2           |                               |   |           |                     |
| 107              | 03511 50095      |                                    | Hose clip                 | ホース クリップ      | 1           |                               |   |           |                     |
| 108              | 32270 10100      |                                    | Bracket                   | ブラケット         | 1           |                               |   |           |                     |
| 109              | 02201 08020      |                                    | Flange bolt               | フランジ 付ボルト     | 6           |                               |   |           |                     |
| 110              | 44364 09900      |                                    | Thermo sensor             | サーモセンサ        | 1           |                               |   |           |                     |
| 111              | 03620 60001      |                                    | Plug                      | プラグ           | 1           |                               |   |           |                     |
| 112              | 02248 12030      |                                    | Bolt, w/w                 | ワッシャー付ボルト     | 2           |                               |   |           |                     |

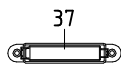
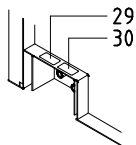
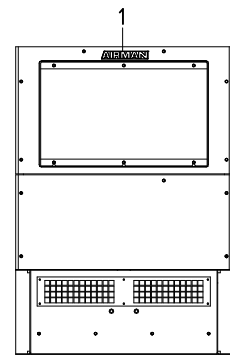
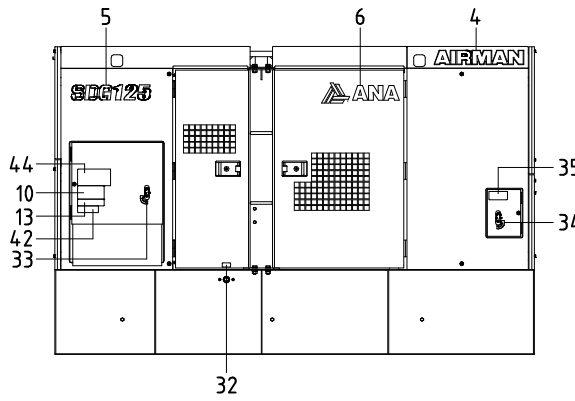
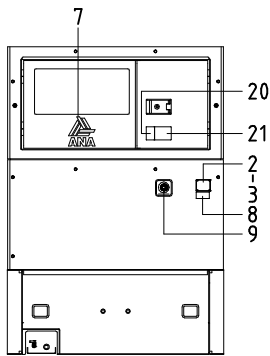
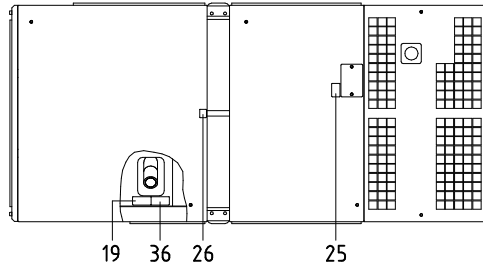


38 - 00 COOLING LINE

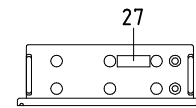
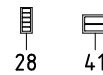
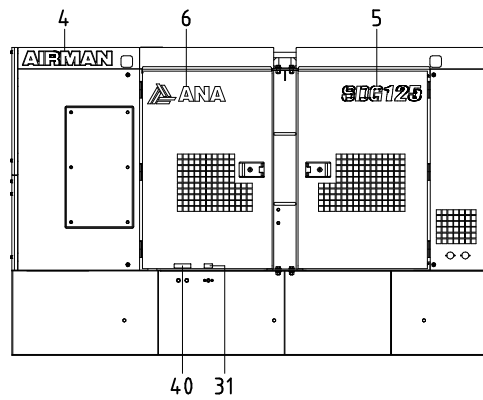
| 見出番号<br>Ref. NO. | 部品番号<br>Part NO. | 互換性<br>Inter-<br>change<br>ability | 部 品 名 称            |            | 数量<br>Q'ty | 適用号機範囲<br>Applicable Ser. No. |   | 変更<br>C/H | 備 考<br>Remarks     |
|------------------|------------------|------------------------------------|--------------------|------------|------------|-------------------------------|---|-----------|--------------------|
|                  |                  |                                    | Part Name          |            |            | 8E1                           | - |           |                    |
|                  | 38 - 00          |                                    | COOLING GROUP      | クーリング グループ |            |                               |   |           |                    |
| 1                | 38100 46400      |                                    | Radiator           | ラジエータ      | 1          |                               |   |           | Incl. cap          |
|                  | 38410 05800      |                                    | Cap                | キャップ       | 1          |                               |   |           | (50kPa)            |
| 2                | 38524 79700      |                                    | Hose               | ホース        | 1          |                               |   |           |                    |
| 3                | 38524 79800      |                                    | Hose               | ホース        | 1          |                               |   |           |                    |
| 4                | 03511 20070      |                                    | Hose clip          | ホース クリップ   | 4          |                               |   |           |                    |
| 5                | 03611 08068      |                                    | Hose               | ホース        | 1          |                               |   |           | (drain)            |
| 6                | 03511 40018      |                                    | Hose clip          | ホース クリップ   | 2          |                               |   |           |                    |
| 7                | 35421 05400      |                                    | Air valve          | エア ハルブ     | 1          |                               |   |           |                    |
| 8                | 37170 25200      |                                    | Joint              | ジョイント      | 1          |                               |   |           |                    |
| 9                | 02246 06016      |                                    | Bolt, w/w          | ワッシャ付ボルト   | 2          |                               |   |           |                    |
| 10               | 52728 45010      |                                    | Cushion rubber     | クッション ラバー  | 1          |                               |   |           |                    |
| 11               | 38920 05400      |                                    | Inter cooler       | インタクーラ     | 1          |                               |   |           |                    |
| 12               | 02108 10025      |                                    | Bolt               | ボルト        | 8          |                               |   |           |                    |
| 13               | 03115 02010      |                                    | Spring washer      | スプリング ワッシャ | 8          |                               |   |           |                    |
| 14               | 03116 12010      |                                    | Plain washer       | プレーン ワッシャ  | 8          |                               |   |           |                    |
| 15               | 52350 48830      |                                    | Cover              | カバー        | 1          |                               |   |           |                    |
| 16               | 02246 08025      |                                    | Bolt, w/w          | ワッシャ付ボルト   | 4          |                               |   |           |                    |
| 17               | 52350 43431      |                                    | Cover              | カバー        | 2          |                               |   |           |                    |
| 18               | 03407 67313      |                                    | Seal rubber        | シール ラバー    | 2          |                               |   |           |                    |
| 19               | 03407 67507      |                                    | Seal rubber        | シール ラバー    | 1          |                               |   |           |                    |
| 20               | 03403 00303      |                                    | Grommet            | グロメット      | 1          |                               |   |           |                    |
| 21               | 03403 00512      |                                    | Grommet            | グロメット      | 2          |                               |   |           |                    |
| 22               | 03403 00703      |                                    | Grommet            | グロメット      | 1          |                               |   |           |                    |
| 23               | 38440 23610      |                                    | Shroud, fan        | ファン シュラウド  | 1          |                               |   |           |                    |
| 24               | 38440 23710      |                                    | Shroud, fan        | ファン シュラウド  | 1          |                               |   |           |                    |
| 25               | 02915 00006      |                                    | Hexagon flange nut | フランジ 付ナット  | 20         |                               |   |           |                    |
| 26               | 38450 06810      |                                    | Guard, fan         | ファン ガード    | 1          |                               |   |           |                    |
| 27               | 38450 06910      |                                    | Guard, fan         | ファン ガード    | 1          |                               |   |           |                    |
| 28               | 38450 07010      |                                    | Guard, fan         | ファン ガード    | 1          |                               |   |           |                    |
| 29               | 02201 06016      |                                    | Flange bolt        | フランジ 付ボルト  | 31         |                               |   |           |                    |
| 30               | 38590 00300      |                                    | Reserve tank ass'y | リザーブ タンク   | 1          |                               |   |           |                    |
| 31               | 03511 30245      |                                    | Hose clip          | ホース クリップ   | 1          |                               |   |           |                    |
| 32               | 38860 37700      |                                    | Bracket            | ブラケット      | 1          |                               |   |           |                    |
| 33               | 02201 08020      |                                    | Flange bolt        | フランジ 付ボルト  | 8          |                               |   |           |                    |
| 34               | 38594 06700      |                                    | Hose               | ホース        | 1          |                               |   |           |                    |
| 35               | 03511 40016      |                                    | Hose clip          | ホース クリップ   | 2          |                               |   |           |                    |
| 36               | 35483 14300      |                                    | Stop valve         | ストップ ハルブ   | 1          |                               |   |           | (ISUZU 8981213062) |
| 37               | 02201 08012      |                                    | Flange bolt        | フランジ 付ボルト  | 8          |                               |   |           |                    |
| 38               | 03590 03018      |                                    | Hose               | ホース        | 1          |                               |   |           |                    |
| 39               | 03590 03019      |                                    | Hose               | ホース        | 1          |                               |   |           |                    |
| 40               | 03590 03012      |                                    | Hose               | ホース        | 1          |                               |   |           |                    |
| 41               | 03590 03020      |                                    | Hose               | ホース        | 1          |                               |   |           |                    |
| 42               | 03590 03021      |                                    | Hose               | ホース        | 1          |                               |   |           |                    |
| 43               | 03590 03022      |                                    | Hose               | ホース        | 1          |                               |   |           |                    |
| 44               | 03590 03023      |                                    | Hose               | ホース        | 1          |                               |   |           |                    |
| 45               | 03590 03017      |                                    | Hose               | ホース        | 1          |                               |   |           |                    |
| 46               | 03511 20020      |                                    | Hose clip          | ホース クリップ   | 16         |                               |   |           |                    |
| 47               | 37771 00300      |                                    | Tee                | チー         | 2          |                               |   |           |                    |
| 48               | 38521 07100      |                                    | Connector          | コネクタ       | 4          |                               |   |           |                    |
| 49               | 37181 07700      |                                    | Clip               | クリップ       | 4          |                               |   |           |                    |
| 50               | 37181 04200      |                                    | Clip               | クリップ       | 4          |                               |   |           |                    |
| 51               | 03425 00003      |                                    | Vinyl clip         | ビニール クリップ  | 1          |                               |   |           |                    |



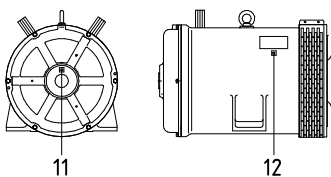
MONITOR



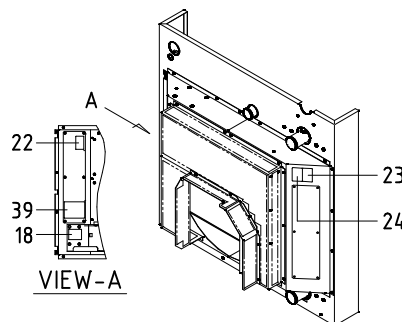
FUSE BOX



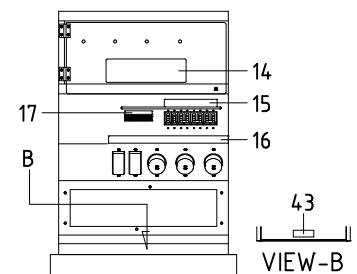
BATTERY



GENERATOR



FAN SHROUD



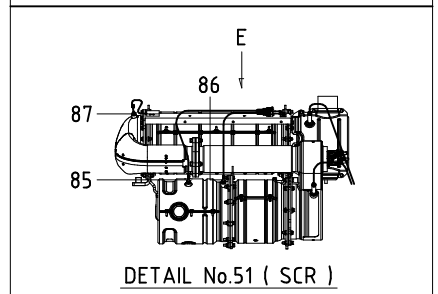
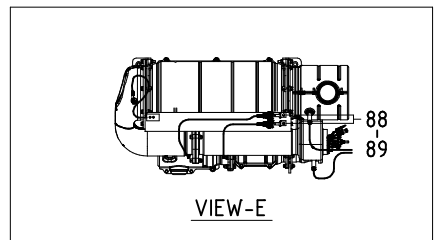
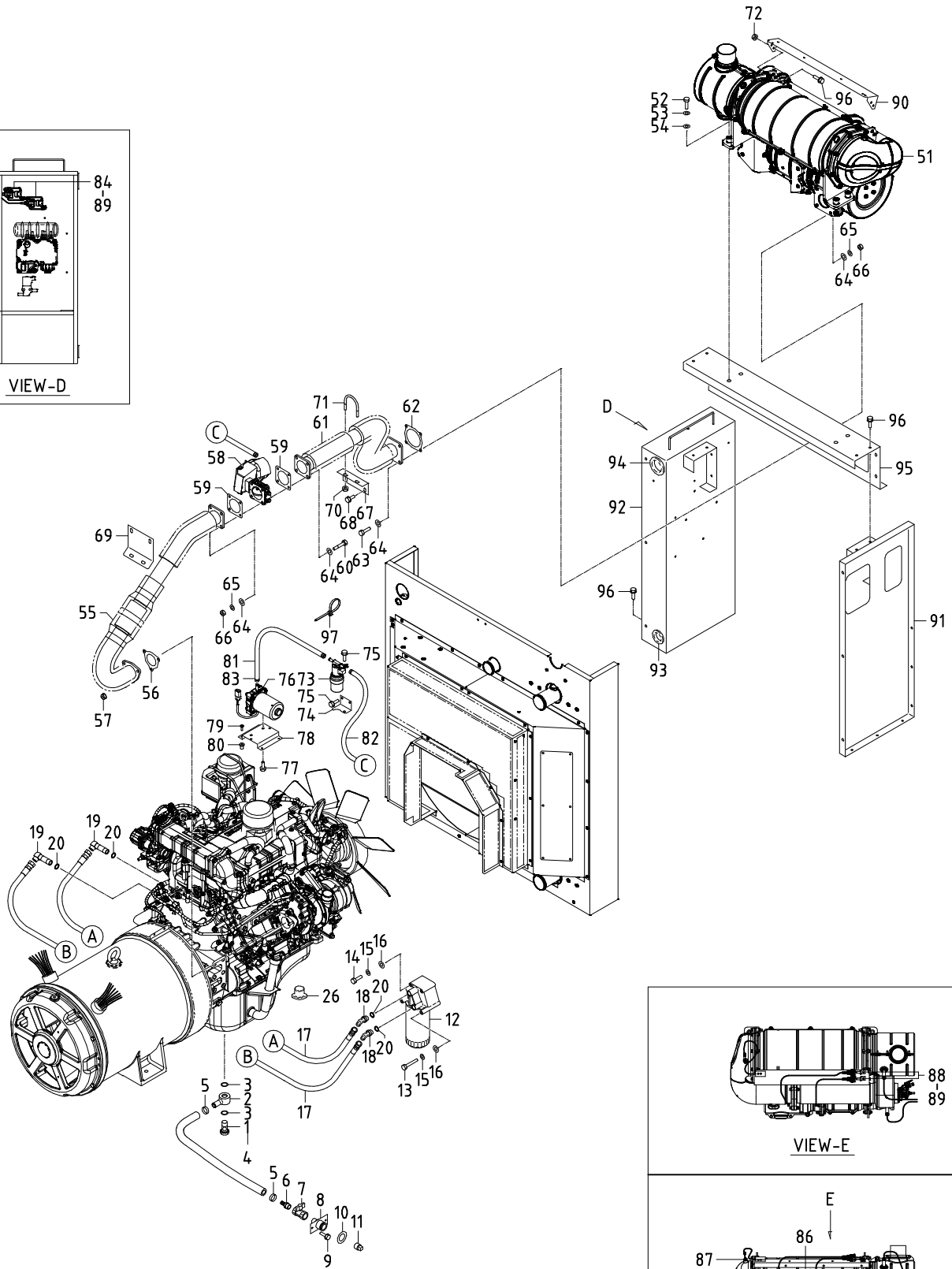
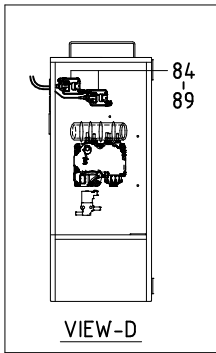
TERMINAL PLATE

39 - 00 NAME PLATE

| 見出番号<br>Ref. NO. | 部品番号<br>Part NO. | 互換性<br>Inter-<br>change<br>ability | 部 品 名 称<br>Part Name               |               | 数量<br>Q'ty | 適用号機範囲<br>Applicable Ser. No. |   | 変更<br>C/H | 備 考<br>Remarks   |
|------------------|------------------|------------------------------------|------------------------------------|---------------|------------|-------------------------------|---|-----------|------------------|
|                  |                  |                                    |                                    |               |            | 8E1                           | - |           |                  |
|                  | 39 - 00          |                                    | ACCESSORY GROUP                    | アクセサリ グループ    |            |                               |   |           |                  |
|                  | 39600 14640      |                                    | Instruction manual                 | 取扱説明書         |            |                               |   |           |                  |
|                  | 39615 12700      |                                    | Instruction manual                 | 取扱説明書(Eng.)   |            |                               |   |           |                  |
|                  | 39616 09800      |                                    | Parts catalog                      | パーツカタログ(Eng.) |            |                               |   |           |                  |
| 1                | 39170 02000      |                                    | Mark (AIRMAN)                      | マーク           | 1          |                               |   |           |                  |
| 2                | 39103 46801      |                                    | Plate(SER. NO.)                    | プレート          | 1          |                               |   |           |                  |
| 3                | 03260 03010      |                                    | Blind rivet                        | リベット          | 4          |                               |   |           |                  |
| 4                | 39178 06340      |                                    | Plate(AIRMAN)                      | プレート          | 2          |                               |   |           |                  |
| 5                | 39178 99740      |                                    | Plate(SDG125)                      | プレート          | 2          |                               |   |           |                  |
| 6                | 39178 94240      |                                    | Plate(name of company)             | プレート          | 2          |                               |   |           |                  |
| 7                | 39178 94340      |                                    | Plate(name of company)             | プレート          | 1          |                               |   |           |                  |
| 8                | 39178 67840      |                                    | Plate(california)                  | プレート          | 1          |                               |   |           |                  |
| 9                | 39178 47610      |                                    | Plate(EMERGENCY STOP)              | プレート          | 1          |                               |   |           |                  |
| 10               | 39176 62400      |                                    | Plate(HIGH VOLTAGE)                | プレート          | 1          |                               |   |           |                  |
| 11               | 39164 00600      |                                    | Plate(indicator)                   | プレート          | 1          |                               |   |           |                  |
| 12               | 39164 00700      |                                    | Plate(indicator)                   | プレート          | 1          |                               |   |           |                  |
| 13               | 39176 62900      |                                    | Plate<br>(warning, electric shock) | プレート          | 1          |                               |   |           |                  |
| 14               | 39152 23401      |                                    | Plate(wiring chart)                | プレート          | 1          |                               |   |           |                  |
| 15               | 39178 87210      |                                    | Plate(breaker)                     | プレート          | 1          |                               |   |           |                  |
| 16               | 39178 50620      |                                    | Plate(socket)                      | プレート          | 1          |                               |   |           |                  |
| 17               | 39178 11740      |                                    | Plate<br>(2 wire Terminal plate)   | プレート          | 1          |                               |   |           |                  |
| 18               | 39178 00310      |                                    | Plate(LLC)                         | プレート          | 1          |                               |   |           |                  |
| 19               | 39178 22031      |                                    | Plate(diesel fuel)                 | プレート          | 1          |                               |   |           |                  |
| 20               | 39176 73300      |                                    | Plate<br>(warning, exhaust gases)  | プレート          | 1          |                               |   |           |                  |
| 21               | 39176 09310      |                                    | Plate<br>(danger, exhaust gases)   | プレート          | 1          |                               |   |           |                  |
| 22               | 39176 73500      |                                    | Plate<br>(warning, cooling fan)    | プレート          | 1          |                               |   |           |                  |
| 23               | 39176 73800      |                                    | Plate(warning, pulley)             | プレート          | 1          |                               |   |           |                  |
| 24               | 39176 69500      |                                    | Plate<br>(caution, high temp.)     | プレート          | 1          |                               |   |           |                  |
| 25               | 39176 69600      |                                    | Plate<br>(caution, radiator cap)   | プレート          | 1          |                               |   |           |                  |
| 26               | 39178 69300      |                                    | Plate(lift position)               | プレート          | 1          |                               |   |           |                  |
| 27               | 39176 50000      |                                    | Plate(danger, battery)             | プレート          | 1          |                               |   |           |                  |
| 28               | 39173 05900      |                                    | Plate, complete                    | プレート(1セット)    | 1          |                               |   |           | Const. No. 29~32 |
| 29               | * * *            | Z                                  | Plate(fuel drain)                  | プレート          | 1          |                               |   |           | (39173 05900)    |
| 30               | * * *            | Z                                  | Plate(oil fence drain)             | プレート          | 2          |                               |   |           | (39173 05900)    |
| 31               | * * *            | Z                                  | Plate(radiator drain)              | プレート          | 1          |                               |   |           | (39173 05900)    |
| 32               | * * *            | Z                                  | Plate(eng. oil drain)              | プレート          | 1          |                               |   |           | (39173 05900)    |
| 33               | 39178 59640      |                                    | Plate(OPEN-CLOSE)                  | プレート          | 1          |                               |   |           |                  |
| 34               | 39178 59540      |                                    | Plate(OPEN-CLOSE)                  | プレート          | 1          |                               |   |           |                  |
| 35               | 39178 70840      |                                    | Plate(DEF ONLY)                    | プレート          | 1          |                               |   |           |                  |
| 36               | 39178 70940      |                                    | Plate(notice, DEF)                 | プレート          | 1          |                               |   |           |                  |
| 37               | 39161 04500      |                                    | Plate(fuse)                        | プレート          | 1          |                               |   |           |                  |
| 38               | 39178 70740      |                                    | Plate(DSE monitor)                 | プレート          | 1          |                               |   |           |                  |
| 39               | 39178 49120      |                                    | Plate<br>(changed fuel refill)     | プレート          | 1          |                               |   |           |                  |

39 - 00 NAME PLATE

| 見出番号<br>Ref. NO. | 部品番号<br>Part NO. | 互換性<br>Inter-<br>change<br>ability | 部 品 名 称<br>Part Name   |                           | 数量<br>Q' ty | 適用号機範囲<br>Applicable Ser. No. |   | 変更<br>C/H | 備 考<br>Remarks    |
|------------------|------------------|------------------------------------|------------------------|---------------------------|-------------|-------------------------------|---|-----------|-------------------|
|                  |                  |                                    |                        |                           |             | 8E1                           | - |           |                   |
| 40               | 39178 01640      |                                    | Plate                  | プレート                      | 1           |                               |   |           |                   |
|                  |                  |                                    |                        | (fuel return, fuel inlet) |             |                               |   |           |                   |
| 41               | 39173 02000      |                                    | Plate, complete        | プレート(1セット)                | 1           |                               |   |           | Const. No. 42, 43 |
| 42               | * * *            | Z                                  | Plate (caution, cable) | プレート                      | 1           |                               |   |           | (39173 02000)     |
| 43               | * * *            | Z                                  | Plate (caution, cable) | プレート                      | 1           |                               |   |           | (39173 02000)     |
| 44               | 39176 89700      |                                    | Plate (output)         | プレート                      | 1           |                               |   |           |                   |



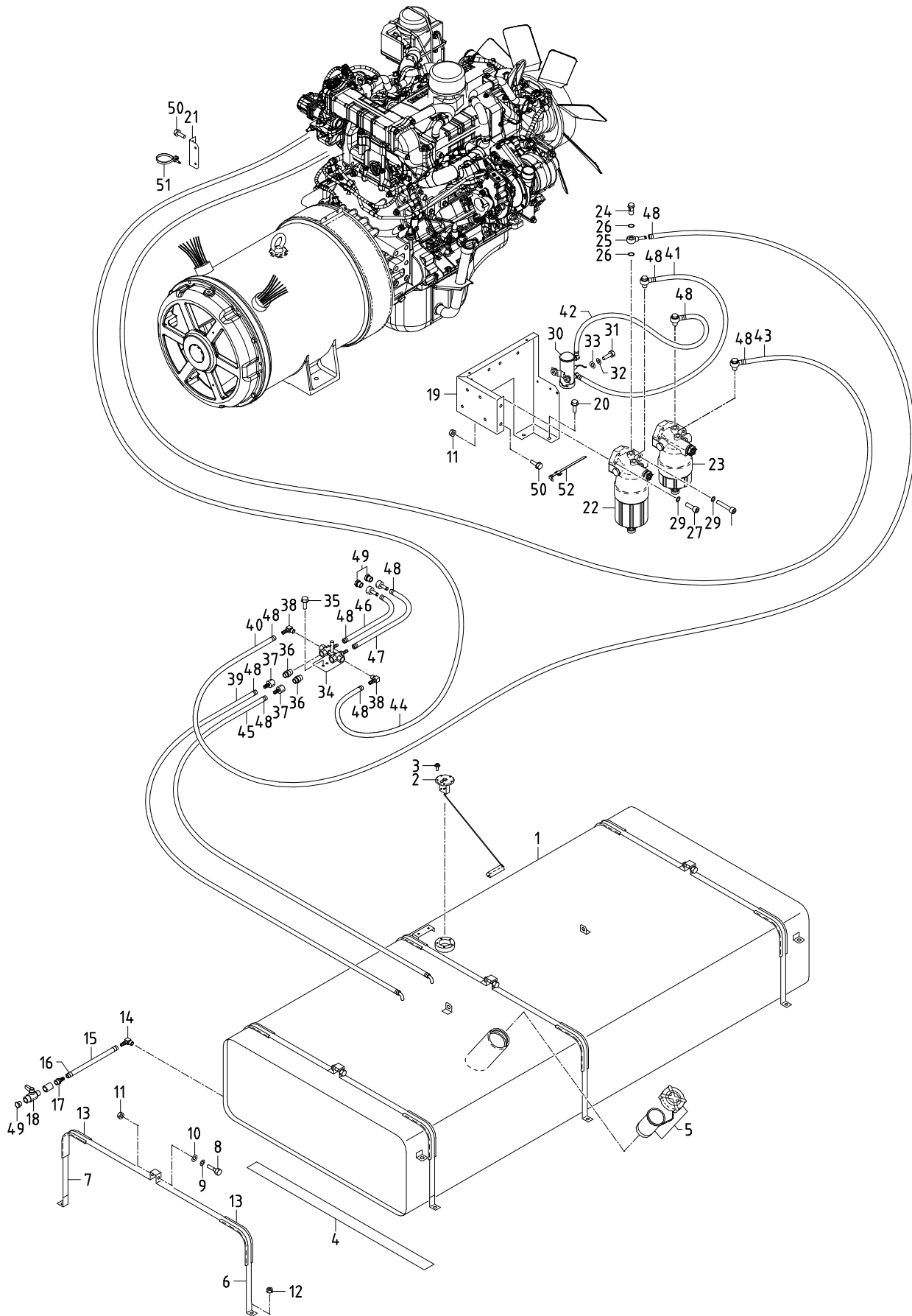
## 41 - 00 ENGINE &amp; EXHAUST

| 見出番号<br>Ref. NO. | 部品番号<br>Part NO. | 互換性<br>Inter-<br>change-<br>ability | 部 品 名 称                |               | 数量<br>Q'ty | 適用号機範囲<br>Applicable Ser. No. |   | 変更<br>C/H | 備 考<br>Remarks      |
|------------------|------------------|-------------------------------------|------------------------|---------------|------------|-------------------------------|---|-----------|---------------------|
|                  |                  |                                     |                        | Part Name     |            | 8E1                           | - |           |                     |
|                  | 41 - 00          |                                     | ENGINE GROUP           | エンジン グループ     |            |                               |   |           |                     |
| 1                | 43532 05500      |                                     | Nipple                 | ニップル          | 1          |                               |   |           | (bolt)              |
| 2                | 43534 02102      |                                     | Ring connector         | リング コネクタ      | 1          |                               |   |           |                     |
| 3                | 03407 16024      |                                     | Gasket                 | ガスケット         | 2          |                               |   |           |                     |
| 4                | 03580 19063      |                                     | Hose                   | ホース           | 1          |                               |   |           |                     |
| 5                | 03511 20035      |                                     | Hose clip              | ホース クリップ      | 2          |                               |   |           |                     |
| 6                | 37170 21800      |                                     | Joint                  | ジョイント         | 1          |                               |   |           |                     |
| 7                | 03735 13006      |                                     | Valve                  | バルブ           | 1          |                               |   |           |                     |
| 8                | 52160 32600      |                                     | Bracket                | ブラケット         | 1          |                               |   |           |                     |
| 9                | 02246 06016      |                                     | Bolt, w/w              | ワッシャ付ボルト      | 2          |                               |   |           |                     |
| 10               | 52728 19910      |                                     | Cushion rubber         | クッション ラバー     | 1          |                               |   |           |                     |
| 11               | 03620 41006      |                                     | Plug                   | プラグ           | 1          |                               |   |           |                     |
| 12               | 41290 00800      |                                     | Filter ass'y, Eng. oil | エンジン オイル フィルタ | 1          |                               |   |           | (ISUZU 898375-8661) |
|                  | 41291 00500      |                                     | Element                | エレメント         | 1          |                               |   |           | (ISUZU 113240-2322) |
| 13               | 02138 10140      |                                     | Bolt                   | ボルト           | 2          |                               |   |           |                     |
| 14               | 02138 10110      |                                     | Bolt                   | ボルト           | 2          |                               |   |           |                     |
| 15               | 03115 02010      |                                     | Spring washer          | スプリング ワッシャ    | 4          |                               |   |           |                     |
| 16               | 03116 12010      |                                     | Plain washer           | プレーン ワッシャ     | 4          |                               |   |           |                     |
| 17               | 37110 16700      |                                     | Hose                   | ホース           | 2          |                               |   |           |                     |
| 18               | 03734 85060      |                                     | Nipple elbow           | ニップル エルボ      | 2          |                               |   |           | Incl. No. 20        |
| 19               | GD920 18300      |                                     | Nipple elbow           | ニップル エルボ      | 2          |                               |   |           | Incl. No. 20        |
| 20               | 03402 25024      |                                     | O-ring                 | O-リング         | 4          |                               |   |           |                     |
| 21               | 32152 00200      |                                     | Cap                    | キャップ          | 1          |                               |   |           |                     |
|                  | 42 - 00          |                                     | EXHAUST GROUP          | エキゾースト グループ   |            |                               |   |           |                     |
| 51               | 42170 00500      |                                     | Catalytic converter    | SCR           | 1          |                               |   |           | (ISUZU 8982735862)  |
| 52               | 02136 12050      |                                     | Bolt                   | ボルト           | 8          |                               |   |           |                     |
| 53               | 03115 06012      |                                     | Spring washer          | スプリング ワッシャ    | 8          |                               |   |           |                     |
| 54               | 03116 15012      |                                     | Plain washer           | プレーン ワッシャ     | 8          |                               |   |           |                     |
| 55               | 42310 15910      |                                     | Pipe, exhaust          | エキゾースト パイプ    | 1          |                               |   |           |                     |
| 56               | 42324 17100      |                                     | Gasket                 | ガスケット         | 1          |                               |   |           | (ISUZU 897376-7580) |
| 57               | 02915 01008      |                                     | Hexagon flange nut     | フランジ 付ナット     | 3          |                               |   |           |                     |
| 58               | 36540 00400      |                                     | Exhaust valve ass'y    | エキゾースト バルブ    | 1          |                               |   |           | (ISUZU 8982999640)  |
| 59               | 42324 17000      |                                     | Gasket                 | ガスケット         | 2          |                               |   |           | (ISUZU 8973731080)  |
| 60               | 02136 08060      |                                     | Bolt                   | ボルト           | 4          |                               |   |           |                     |
| 61               | 42310 16010      |                                     | Pipe, exhaust          | エキゾースト パイプ    | 1          |                               |   |           |                     |
| 62               | 42324 17300      |                                     | Gasket                 | ガスケット         | 1          |                               |   |           | (ISUZU 8973767580)  |
| 63               | 02136 08035      |                                     | Bolt                   | ボルト           | 4          |                               |   |           |                     |
| 64               | 03116 15008      |                                     | Plain washer           | プレーン ワッシャ     | 16         |                               |   |           |                     |
| 65               | 03115 06008      |                                     | Spring washer          | スプリング ワッシャ    | 8          |                               |   |           |                     |
| 66               | 02912 06008      |                                     | Nut                    | ナット           | 8          |                               |   |           |                     |
| 67               | 42240 33000      |                                     | Bracket                | ブラケット         | 1          |                               |   |           |                     |
| 68               | 02201 08020      |                                     | Flange bolt            | フランジ 付ボルト     | 2          |                               |   |           |                     |
| 69               | 42240 39400      |                                     | Bracket                | ブラケット         | 1          |                               |   |           |                     |
| 70               | 02915 00010      |                                     | Hexagon flange nut     | フランジ 付ナット     | 2          |                               |   |           |                     |
| 71               | 03831 08050      |                                     | U-bolt                 | ワッシャ付ボルト      | 2          |                               |   |           |                     |
| 72               | 02915 00008      |                                     | Hexagon flange nut     | フランジ 付ナット     | 6          |                               |   |           |                     |
| 73               | 46811 32000      |                                     | Solenoid valve         | 電磁弁           | 1          |                               |   |           | (ISUZU 8973285770)  |
| 74               | 42240 38000      |                                     | Bracket                | ブラケット         | 1          |                               |   |           |                     |
| 75               | 02201 06016      |                                     | Flange bolt            | フランジ 付ボルト     | 3          |                               |   |           |                     |



## 41 - 00 ENGINE &amp; EXHAUST

| 見出番号<br>Ref. NO. | 部品番号<br>Part NO. | 互換性<br>Inter-<br>change<br>ability | 部 品 名 称<br>Part Name |             | 数量<br>Q' ty | 適用号機範囲<br>Applicable Ser. No. |   | 変更<br>C/H | 備 考<br>Remarks     |
|------------------|------------------|------------------------------------|----------------------|-------------|-------------|-------------------------------|---|-----------|--------------------|
|                  |                  |                                    |                      |             |             | 8E1                           | - |           |                    |
| 76               | 36530 00800      |                                    | Control VLV. ass'y   | コントロールバルブ   | 1           |                               |   |           |                    |
| 77               | 02201 08012      |                                    | Flange bolt          | フランジ付ボルト    | 2           |                               |   |           |                    |
| 78               | 42240 39500      |                                    | Bracket              | ブラケット       | 1           |                               |   |           |                    |
| 79               | 02401 46020      |                                    | Screw                | スクリュー       | 4           |                               |   |           |                    |
| 80               | 31145 00700      |                                    | Nut                  | ナット         | 4           |                               |   |           |                    |
| 81               | 03570 09042      |                                    | Hose                 | ホース         | 1           |                               |   |           |                    |
| 82               | 03570 09036      |                                    | Hose                 | ホース         | 1           |                               |   |           |                    |
| 83               | 03511 10018      |                                    | Hose clip            | ホースクリップ     | 4           |                               |   |           |                    |
| 84               | 44366 01100      |                                    | Gas sensor           | NOXセンサ      | 2           |                               |   |           | (ISUZU 8982465061) |
| 85               | 44364 09500      |                                    | Thermo sensor        | DOC温度センサ Ft | 1           |                               |   |           | (ISUZU 8981783581) |
| 86               | 44364 09600      |                                    | Thermo sensor        | DOC温度センサ Rr | 1           |                               |   |           | (ISUZU 8981867621) |
| 87               | 44364 09700      |                                    | Thermo sensor        | SCR入口温度センサ  | 1           |                               |   |           | (ISUZU 8980863290) |
| 88               | 44250 83110      |                                    | Bracket              | ブラケット       | 2           |                               |   |           | (ISUZU 8976028701) |
| 89               | 02246 06016      |                                    | Bolt, w/w            | ワッシャ付ボルト    | 6           |                               |   |           |                    |
| 90               | 42240 39300      |                                    | Bracket              | ブラケット       | 1           |                               |   |           |                    |
| 91               | 42240 39000      |                                    | Bracket              | ブラケット       | 1           |                               |   |           |                    |
| 92               | 42240 39100      |                                    | Bracket              | ブラケット       | 1           |                               |   |           |                    |
| 93               | 03403 00512      |                                    | Grommet              | グロメット       | 4           |                               |   |           |                    |
| 94               | 03403 00763      |                                    | Grommet              | グロメット       | 2           |                               |   |           |                    |
| 95               | 42240 39200      |                                    | Bracket              | ブラケット       | 1           |                               |   |           |                    |
| 96               | 02246 08025      |                                    | Bolt, w/w            | ワッシャ付ボルト    | 25          |                               |   |           |                    |
| 97               | 37181 07700      |                                    | Clip                 | クリップ        | 1           |                               |   |           |                    |

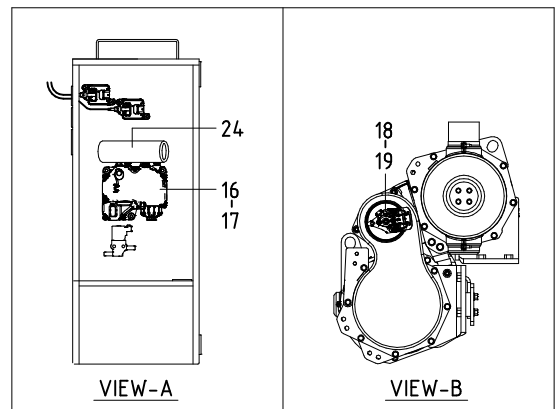
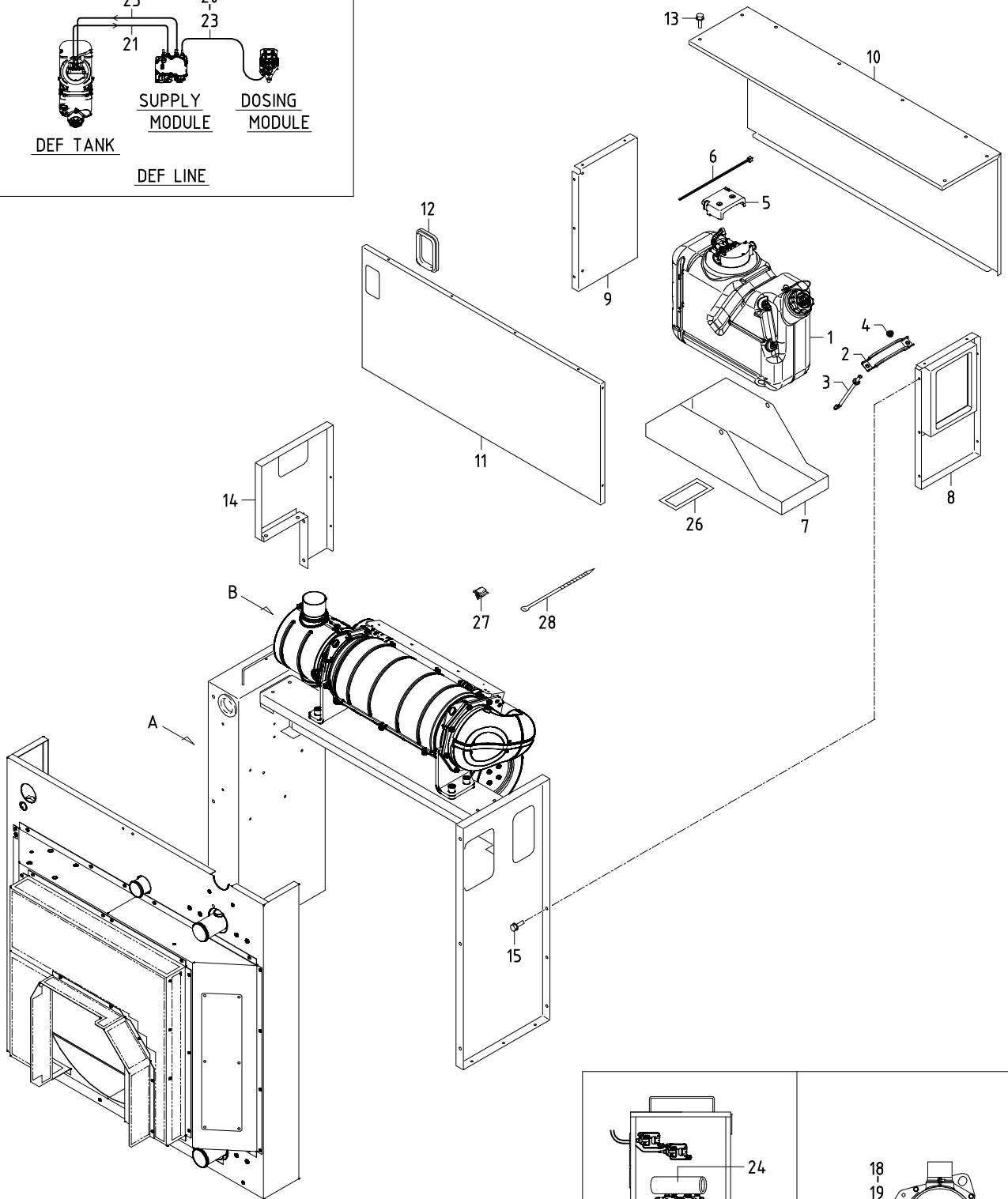
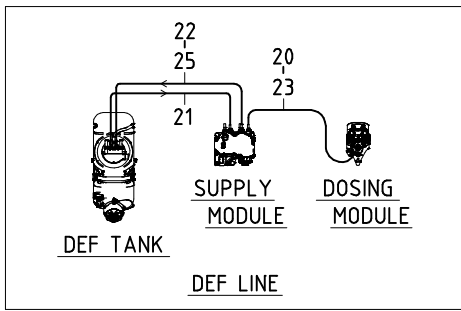


## 43 - 00 FUEL LINE

| 見出番号<br>Ref. NO. | 部品番号<br>Part NO. | 互換性<br>Inter-<br>change-<br>ability | 部 品 名 称   |             | 数量<br>Q'ty | 適用号機範囲<br>Applicable Ser. No. |   | 変更<br>C/H | 備 考<br>Remarks     |  |
|------------------|------------------|-------------------------------------|---|-------------|------------|-------------------------------|---|-----------|--------------------|--|
|                  |                  |                                     | Part Name   |             |            | 8E1                           | - |           |                    |  |
|                  | 43 - 00          |                                     | FUEL GROUP  | フュエル グループ   |            |                               |   |           |                    |  |
| 1                | 43100 88900      |                                     | Fuel tank   | フュエル タンク    | 1          |                               |   |           |                    |  |
| 2                | 36159 02202      |                                     | Sending unit  | センテイング ユニット | 1          |                               |   |           |                    |  |
| 3                | 02415 65012      |                                     | Screw, w/w  | ワッシャ付スクリュー  | 5          |                               |   |           |                    |  |
| 4                | 38465 22300      |                                     | Cushion rubber  | クッション ラバー   | 3          |                               |   |           |                    |  |
| 5                | 43220 03400      |                                     | Cap   | キャップ        | 1          |                               |   |           | Incl. Strainer     |  |
| 6                | 43310 39900      |                                     | Belt  | ベルト         | 3          |                               |   |           |                    |  |
| 7                | 43310 38100      |                                     | Belt  | ベルト         | 3          |                               |   |           |                    |  |
| 8                | 02138 08045      |                                     | Bolt  | ボルト         | 3          |                               |   |           |                    |  |
| 9                | 03115 02008      |                                     | Spring washer   | スプリング ワッシャ  | 3          |                               |   |           |                    |  |
| 10               | 03116 12008      |                                     | Plain washer  | プレーン ワッシャ   | 3          |                               |   |           |                    |  |
| 11               | 02915 00008      |                                     | Hexagon flange nut                                    | フランジ付ナット    | 5          |                               |   |           |                    |  |
| 12               | 02915 00010      |                                     | Hexagon flange nut                                    | フランジ付ナット    | 6          |                               |   |           |                    |  |
| 13               | 43322 06700      |                                     | Cushion   | クッション       | 6          |                               |   |           |                    |  |
| 14               | 37170 28400      |                                     | Joint   | ジョイント       | 1          |                               |   |           |                    |  |
| 15               | 03570 09025      |                                     | Hose  | ホース         | 1          |                               |   |           |                    |  |
| 16               | 03511 20020      |                                     | Hose clip   | ホースクリップ     | 2          |                               |   |           |                    |  |
| 17               | 37170 12700      |                                     | Joint   | ジョイント       | 1          |                               |   |           |                    |  |
| 18               | 35421 06800      |                                     | Air valve   | エアバルブ       | 1          |                               |   |           |                    |  |
| 19               | 43340 41200      |                                     | Bracket   | ブラケット       | 1          |                               |   |           |                    |  |
| 20               | 02201 08020      |                                     | Flange bolt   | フランジ付ボルト    | 2          |                               |   |           |                    |  |
| 21               | 52160 31110      |                                     | Bracket   | ブラケット       | 1          |                               |   |           |                    |  |
| 22               | 43540 07600      |                                     | Filter ass'y (pre)                                    | フィルタ        | 1          |                               |   |           | (ISUZU 8980758554) |  |
|                  | 43543 00900      |                                     | Filter cartridge                                      | フィルタカートリッジ  | 1          |                               |   |           | (ISUZU 8980742881) |  |
| 23               | 43540 09100      |                                     | Filter ass'y (main)                                   | フィルタ        | 1          |                               |   |           | (ISUZU 8983129150) |  |
|                  | 43543 02800      |                                     | Filter cartridge                                      | フィルタカートリッジ  | 1          |                               |   |           | (ISUZU 8983129180) |  |
| 24               | 43532 09000      |                                     | Nipple  | ニップル        | 4          |                               |   |           |                    |  |
| 25               | 43534 04800      |                                     | Ring connector  | リングコネクタ     | 4          |                               |   |           |                    |  |
| 26               | 43531 01900      |                                     | Gasket  | ガスケット       | 8          |                               |   |           |                    |  |
| 27               | 02283 10040      |                                     | Socket bolt   | ソケットボルト     | 4          |                               |   |           |                    |  |
| 28               | 02283 10070      |                                     | Socket bolt   | ソケットボルト     | 2          |                               |   |           |                    |  |
| 29               | 03115 40010      |                                     | Spring washer   | スプリング ワッシャ  | 6          |                               |   |           |                    |  |
| 30               | 43650 02600      |                                     | Fuel pump   | フュエルポンプ     | 1          |                               |   |           | (ISUZU 8980682752) |  |
|                  |                  |                                     | [Filter kit(Incl.Filter & Gasket):ISUZU 8981731650]   |             |            |                               |   |           |                    |  |
|                  |                  |                                     | [Filter:ISUZU 8980714010] / [Gasket:ISUZU 8980714040] |             |            |                               |   |           |                    |  |
| 31               | 02138 06030      |                                     | Bolt  | ボルト         | 2          |                               |   |           |                    |  |
| 32               | 03115 02006      |                                     | Spring washer   | スプリング ワッシャ  | 2          |                               |   |           |                    |  |
| 33               | 03116 12006      |                                     | Plain washer  | プレーン ワッシャ   | 2          |                               |   |           |                    |  |
| 34               | 35483 10101      |                                     | Stop valve  | ストップバルブ     | 1          |                               |   |           |                    |  |
| 35               | 02201 06016      |                                     | Flange bolt   | フランジ付ボルト    | 2          |                               |   |           |                    |  |
| 36               | 03734 43030      |                                     | Nipple  | ニップル        | 2          |                               |   |           |                    |  |
| 37               | 37170 20200      |                                     | Joint   | ジョイント       | 2          |                               |   |           |                    |  |
| 38               | 37170 28500      |                                     | Joint   | ジョイント       | 2          |                               |   |           |                    |  |
| 39               | 03600 09073      |                                     | Hose  | ホース         | 1          |                               |   |           |                    |  |
| 40               | 03570 09188      |                                     | Hose  | ホース         | 1          |                               |   |           |                    |  |
| 41               | 03570 09054      |                                     | Hose  | ホース         | 1          |                               |   |           |                    |  |
| 42               | 03570 09026      |                                     | Hose  | ホース         | 1          |                               |   |           |                    |  |
| 43               | 03570 09217      |                                     | Hose  | ホース         | 1          |                               |   |           |                    |  |
| 44               | 03570 09110      |                                     | Hose  | ホース         | 1          |                               |   |           |                    |  |
| 45               | 03570 09058      |                                     | Hose  | ホース         | 1          |                               |   |           |                    |  |
| 46               | 03570 09042      |                                     | Hose  | ホース         | 1          |                               |   |           |                    |  |
| 47               | 03570 09050      |                                     | Hose  | ホース         | 1          |                               |   |           |                    |  |
| 48               | 03511 10018      |                                     | Hose clip   | ホースクリップ     | 18         |                               |   |           |                    |  |

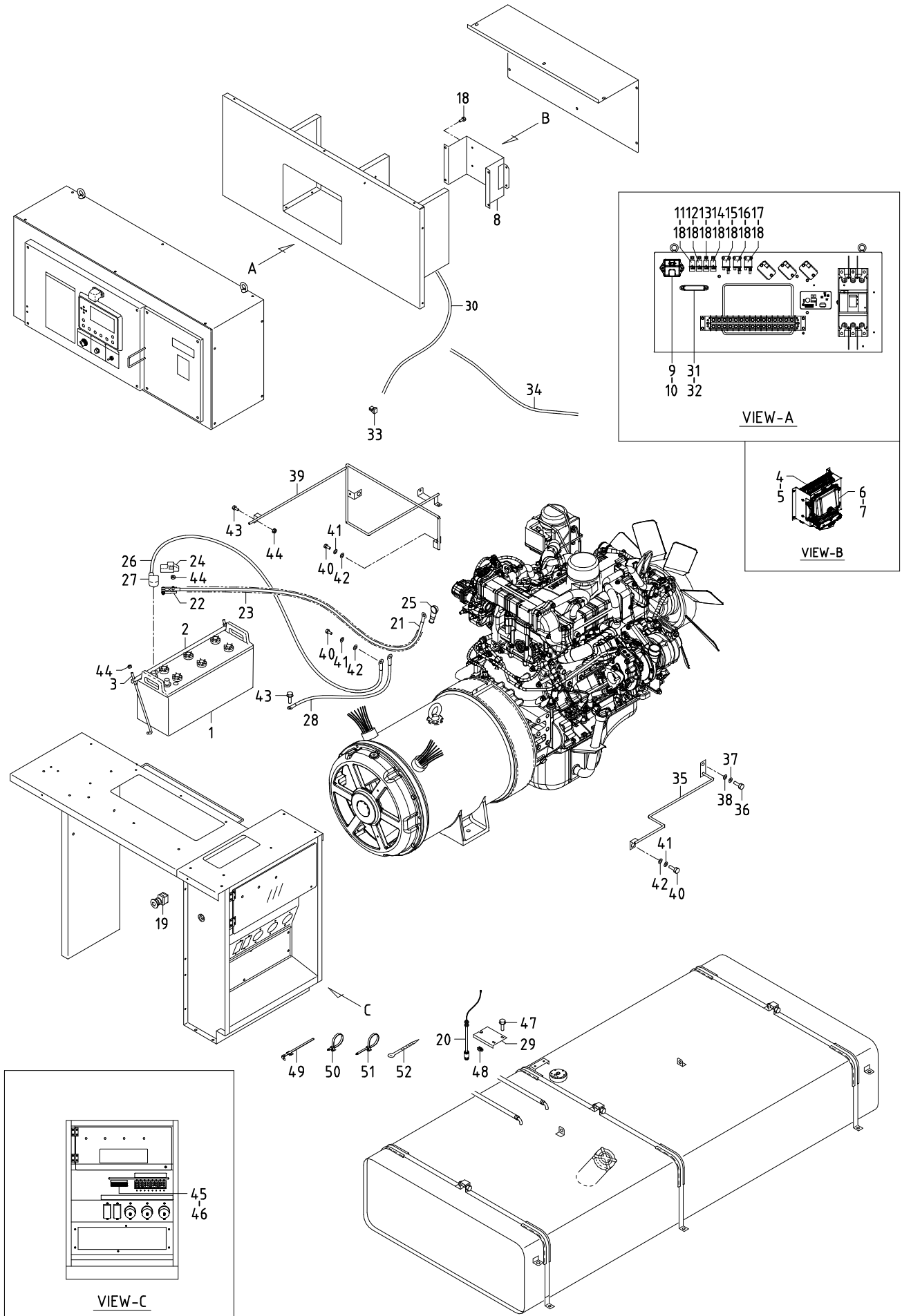
43 - 00 FUEL LINE

| 見出番号<br>Ref. NO. | 部品番号<br>Part NO. | 互換性<br>Inter-<br>change<br>ability | 部品名称<br>Part Name |          | 数量<br>Q' ty | 適用号機範囲<br>Applicable Ser. No. |   | 変更<br>C/H | 備考<br>Remarks |
|------------------|------------------|------------------------------------|-------------------|----------|-------------|-------------------------------|---|-----------|---------------|
|                  |                  |                                    |                   |          |             | 8E1                           | - |           |               |
| 49               | 33238 02800      |                                    | Plug              | プラグ      | 3           |                               |   |           |               |
| 50               | 02246 08025      |                                    | Bolt, w/w         | ワッシャ付ボルト | 4           |                               |   |           |               |
| 51               | 37181 04200      |                                    | Clip              | クリップ     | 2           |                               |   |           |               |
| 52               | 37181 03600      |                                    | Clip              | クリップ     | 1           |                               |   |           |               |



## 43 - 01 DEF LINE

| 見出番号<br>Ref. NO. | 部品番号<br>Part NO. | 互換性<br>Inter-<br>change<br>ability | 部 品 名 称              |            | 数量<br>Q'ty | 適用号機範囲<br>Applicable Ser. No. |   | 変更<br>C/H | 備 考<br>Remarks     |
|------------------|------------------|------------------------------------|----------------------|------------|------------|-------------------------------|---|-----------|--------------------|
|                  |                  |                                    | Part Name            |            |            | 8E1                           | - |           |                    |
|                  | 43 - 01          |                                    | FUEL GROUP           | フュエル グループ  |            |                               |   |           |                    |
| 1                | 43230 00200      |                                    | DEF tank             | 尿素水タンク     | 1          |                               |   |           | (ISUZU 8982984470) |
| 2                | 43311 36800      |                                    | Plate                | プレート       | 1          |                               |   |           | (ISUZU 8981567470) |
| 3                | 33222 03700      |                                    | Bolt                 | ボルト        | 2          |                               |   |           | (ISUZU 8981579360) |
| 4                | 42327 04200      |                                    | Nut                  | ナット        | 2          |                               |   |           | (ISUZU 0911801100) |
| 5                | 52220 32600      |                                    | Cover                | カバー        | 1          |                               |   |           | (ISUZU 8981562981) |
| 6                | 37181 08300      |                                    | Clip                 | クリップ       | 1          |                               |   |           | (ISUZU 1097071830) |
| 7                | 43330 25700      |                                    | Bracket              | ブラケット      | 1          |                               |   |           |                    |
| 8                | 52220 33000      |                                    | Cover                | カバー        | 1          |                               |   |           |                    |
| 9                | 52220 33100      |                                    | Cover                | カバー        | 1          |                               |   |           |                    |
| 10               | 52220 33200      |                                    | Cover                | カバー        | 1          |                               |   |           |                    |
| 11               | 52220 33300      |                                    | Cover                | カバー        | 1          |                               |   |           |                    |
| 12               | 03407 64731      |                                    | Seal rubber          | シール ラバー    | 1          |                               |   |           |                    |
| 13               | 02246 06016      |                                    | Bolt, w/w            | ワッシャ付ボルト   | 22         |                               |   |           |                    |
| 14               | 52220 32900      |                                    | Cover                | カバー        | 1          |                               |   |           |                    |
| 15               | 02246 08025      |                                    | Bolt, w/w            | ワッシャ付ボルト   | 14         |                               |   |           |                    |
| 16               | 43850 00200      |                                    | DEF pump             | 尿素水ポンプ     | 1          |                               |   |           | (ISUZU 8982688110) |
| 17               | 02138 08090      |                                    | Bolt                 | ボルト        | 3          |                               |   |           |                    |
|                  | 03115 02008      |                                    | Spring washer        | スプリング ワッシャ | 3          |                               |   |           |                    |
|                  | 03116 12008      |                                    | Plain washer         | プレーン ワッシャ  | 3          |                               |   |           |                    |
| 18               | 43800 00200      |                                    | Injector valve ass'y | インジェクタバルブ  | 1          |                               |   |           | (ISUZU 8982318983) |
| 19               | 42327 04300      |                                    | Nut                  | ナット        | 3          |                               |   |           | (ISUZU 0911801060) |
| 20               | 43510 15000      |                                    | Hose                 | ホース        | 1          |                               |   |           |                    |
| 21               | 43510 14800      |                                    | Hose                 | ホース        | 1          |                               |   |           |                    |
| 22               | 43510 14900      |                                    | Hose                 | ホース        | 1          |                               |   |           |                    |
| 23               | 37182 06000      |                                    | Cushion rubber       | クッション ラバー  | 1          |                               |   |           |                    |
| 24               | 37182 06100      |                                    | Cushion rubber       | クッション ラバー  | 1          |                               |   |           |                    |
| 25               | 37182 06200      |                                    | Cushion rubber       | クッション ラバー  | 1          |                               |   |           |                    |
| 26               | 52728 58610      |                                    | Cushion rubber       | クッション ラバー  | 1          |                               |   |           |                    |
| 27               | 44243 05500      |                                    | Holder               | ホルダ        | 2          |                               |   |           |                    |
| 28               | 03425 00003      |                                    | Vinyl clip           | ビニールクリップ   | 5          |                               |   |           |                    |



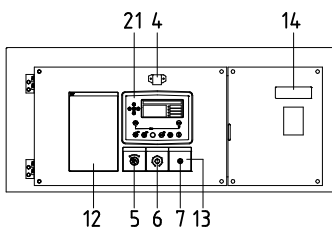
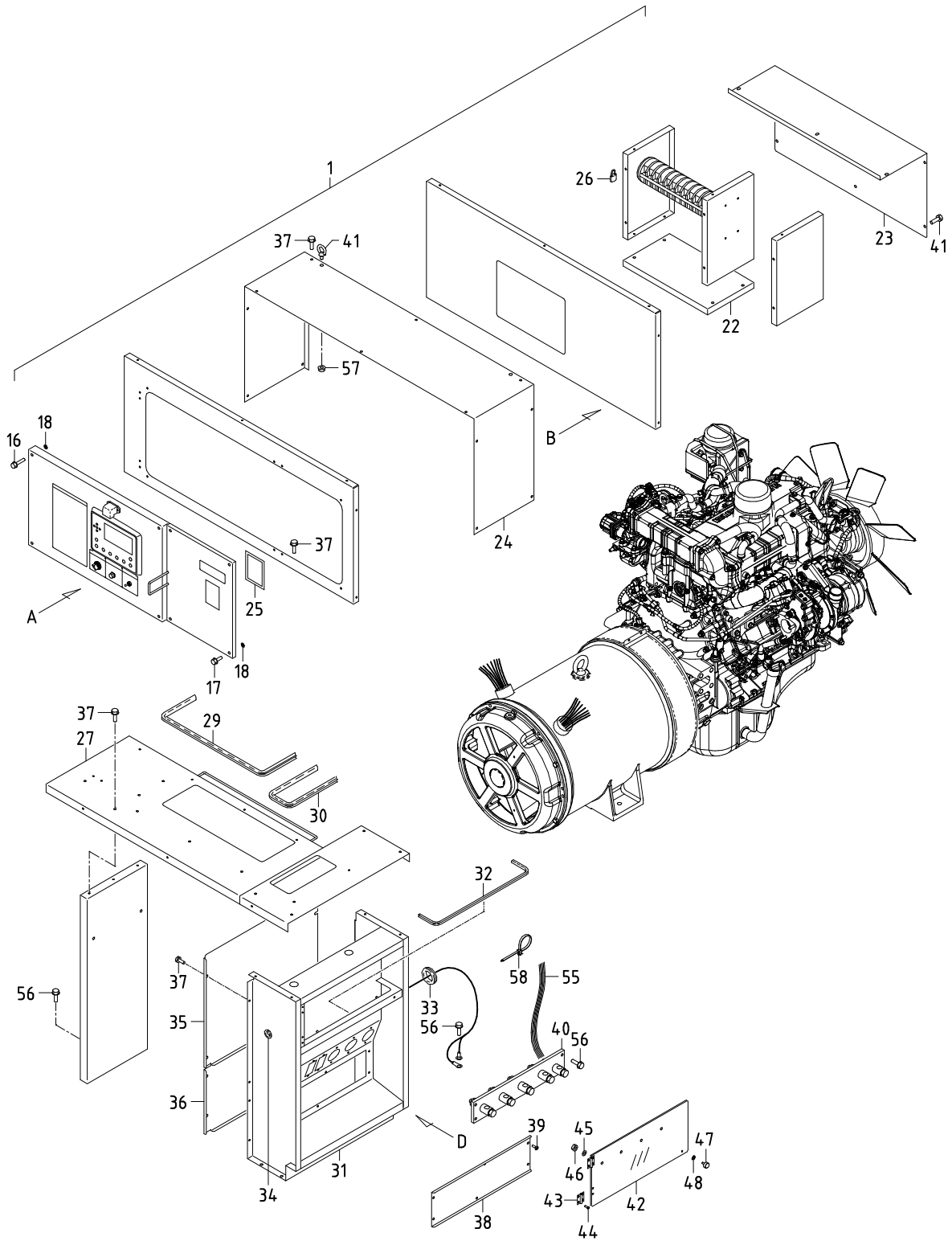
## 44 - 00 ELECTRIC (for ENGINE)

| 見出番号<br>Ref. NO. | 部品番号<br>Part NO. | 互換性<br>Inter-<br>change<br>ability | 部 品 名 称                |              | 数量<br>Q'ty | 適用号機範囲<br>Applicable Ser. No. |   | 変更<br>C/H | 備 考<br>Remarks      |
|------------------|------------------|------------------------------------|------------------------|--------------|------------|-------------------------------|---|-----------|---------------------|
|                  |                  |                                    | Part Name              |              |            | 8E1                           | - |           |                     |
|                  | 44 - 00          |                                    | ELECTRIC GROUP         | エレクトリック グループ |            |                               |   |           |                     |
| 1                | 44210 08400      | Y                                  | Battery                | バッテリー        | 1          |                               |   |           | (170F51)            |
| 1                | 44210 02300      | Y                                  | Battery                | バッテリー        | 1          |                               |   |           | (170F51)            |
| 2                | 44220 04300      |                                    | Cover                  | カバー          | 1          |                               |   |           |                     |
| 3                | 44243 03100      |                                    | Holder                 | ホルダー         | 2          |                               |   |           |                     |
| 4                | 44390 06900      |                                    | Controller             | コントローラ       | 1          |                               |   |           | (ISUZU 898327-4201) |
| 5                | 02248 08016      |                                    | Bolt, w/w              | ワッシャ付ボルト     | 4          |                               |   |           |                     |
| 6                | 44390 07000      |                                    | Controller             | コントローラ       | 1          |                               |   |           | (ISUZU 897510-9770) |
| 7                | 02138 06030      |                                    | Bolt                   | ボルト          | 4          |                               |   |           |                     |
| 8                | 46450 46210      |                                    | Bracket                | ブラケット        | 1          |                               |   |           |                     |
| 9                | 44390 06800      |                                    | Controller             | コントローラ       | 1          |                               |   |           | (ISUZU 898133-1241) |
| 10               | 02248 06020      |                                    | Bolt, w/w              | ワッシャ付ボルト     | 2          |                               |   |           |                     |
| 11               | 44346 08500      |                                    | Relay (main)           | リレー          | 1          |                               |   |           | (ISUZU 582550-0290) |
| 12               | 44346 08500      |                                    | Relay (fuel)           | リレー          | 1          |                               |   |           | (ISUZU 582550-0290) |
| 13               | 44346 08500      |                                    | Relay (ccv)            | リレー          | 1          |                               |   |           | (ISUZU 582550-0290) |
| 14               | 44346 08500      |                                    | Relay (starter cut)    | リレー          | 1          |                               |   |           | (ISUZU 582550-0290) |
| 15               | 44346 16100      |                                    | Relay (starter)        | リレー          | 1          |                               |   |           | (ISUZU 894248-1610) |
| 16               | 44346 15700      |                                    | Relay (glow)           | リレー          | 1          |                               |   |           | (ISUZU 897011-9490) |
| 17               | 44346 15700      |                                    | Relay (magnetic valve) | リレー          | 1          |                               |   |           | (ISUZU 897011-9490) |
| 18               | 02248 06016      |                                    | Bolt, w/w              | ワッシャ付ボルト     | 14         |                               |   |           |                     |
| 19               | 44336 03002      |                                    | Button switch          | 非常停止ボタン      | 1          |                               |   |           | (emergency stop)    |
| 20               | 46813 08101      |                                    | Level switch           | レベルスイッチ      | 1          |                               |   |           |                     |
| 21               | 05105 22090      |                                    | Cable                  | ケーブル         | 1          |                               |   |           | (batt. ~starter)    |
| 22               | 05625 00018      |                                    | Terminal               | ターミナル        | 1          |                               |   |           |                     |
| 23               | 06540 15070      |                                    | Corrugated tube        | コルゲートチューブ    | 1          |                               |   |           | (protector)         |
| 24               | 44462 06700      |                                    | Insulator              | インシュレータ      | 1          |                               |   |           | (red)               |
| 25               | 44462 00700      |                                    | Insulator              | インシュレータ      | 1          |                               |   |           |                     |
| 26               | 07808 53090      |                                    | Cable (Incl. No. 27)   | ケーブル         | 1          |                               |   |           | (batt. ~Eng. earth) |
| 27               | 44462 05600      |                                    | Insulator              | インシュレータ      | 1          |                               |   |           | (black)             |
| 28               | 05138 36070      |                                    | Cable                  | ケーブル         | 1          |                               |   |           | (for earth)         |
| 29               | 43350 02201      |                                    | Bracket                | ブラケット        | 1          |                               |   |           |                     |
| 30               | 44490 06450      |                                    | Wiring harness (main)  | ワイヤハーネス      | 1          |                               |   |           | Incl. No. 31        |
| 31               | 44470 03100      |                                    | Fuse box               | ヒューズボックス     | 1          |                               |   |           | Incl. Fuse          |
|                  | 46934 03200      |                                    | Fuse (10A)             | ヒューズ         | 2          |                               |   |           |                     |
|                  | 46934 03300      |                                    | Fuse (20A)             | ヒューズ         | 1          |                               |   |           |                     |
|                  | 46934 04400      |                                    | Fuse (15A)             | ヒューズ         | 1          |                               |   |           |                     |
|                  | 46934 05100      |                                    | Fuse (30A)             | ヒューズ         | 2          |                               |   |           |                     |
| 32               | 02248 06020      |                                    | Bolt, w/w              | ワッシャ付ボルト     | 2          |                               |   |           |                     |
| 33               | 44470 02300      |                                    | Fuse box (60A)         | ヒューズボックス     | 1          |                               |   |           |                     |
| 34               | 44490 06550      |                                    | Wiring harness (sub)   | ワイヤハーネス      | 1          |                               |   |           | (for SCR)           |
| 35               | 44290 68000      |                                    | Guide                  | ガイド          | 1          |                               |   |           |                     |
| 36               | 02138 12020      |                                    | Bolt                   | ボルト          | 1          |                               |   |           |                     |
| 37               | 03115 02012      |                                    | Spring washer          | スプリングワッシャ    | 1          |                               |   |           |                     |
| 38               | 03116 12012      |                                    | Plain washer           | プレーンワッシャ     | 1          |                               |   |           |                     |
| 39               | 44290 67900      |                                    | Guide                  | ガイド          | 1          |                               |   |           |                     |
| 40               | 02138 16025      |                                    | Bolt                   | ボルト          | 6          |                               |   |           |                     |
| 41               | 03115 02016      |                                    | Spring washer          | スプリングワッシャ    | 6          |                               |   |           |                     |
| 42               | 03116 12016      |                                    | Plain washer           | プレーンワッシャ     | 6          |                               |   |           |                     |
| 43               | 02201 08020      |                                    | Flange bolt            | フランジ付ボルト     | 3          |                               |   |           |                     |
| 44               | 02915 00008      |                                    | Hexagon flange nut     | フランジ付ナット     | 5          |                               |   |           |                     |
| 45               | 44311 02110      |                                    | Terminal plate         | 端子台          | 1          |                               |   |           |                     |

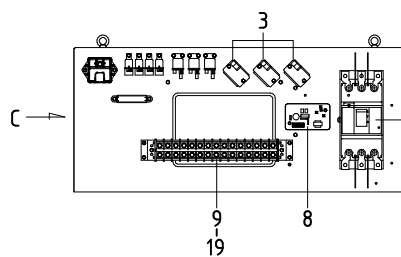


## 44 - 00 ELECTRIC (for ENGINE)

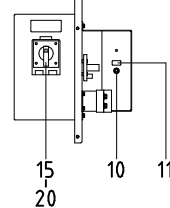
| 見出番号<br>Ref. NO. | 部品番号<br>Part NO. | 互換性<br>Inter-<br>change<br>ability | 部 品 名 称<br>Part Name |            | 数量<br>Q' ty | 適用号機範囲<br>Applicable Ser. No. |   | 変更<br>C/H | 備 考<br>Remarks |
|------------------|------------------|------------------------------------|----------------------|------------|-------------|-------------------------------|---|-----------|----------------|
|                  |                  |                                    |                      |            |             | 8E1                           | - |           |                |
| 46               | 02345 63020      |                                    | Screw                | スクリュ       | 2           |                               |   |           |                |
|                  | 03115 02003      |                                    | Spring washer        | スプリング ワッシャ | 2           |                               |   |           |                |
|                  | 03116 12003      |                                    | Plain washer         | プレーン ワッシャ  | 2           |                               |   |           |                |
|                  | 02912 08003      |                                    | Nut                  | ナット        | 2           |                               |   |           |                |
| 47               | 02201 06016      |                                    | Flange bolt          | フランジ付ボルト   | 2           |                               |   |           |                |
| 48               | 37181 03300      |                                    | Clip                 | クリップ       | 1           |                               |   |           |                |
| 49               | 37181 03600      |                                    | Clip                 | クリップ       | 1           |                               |   |           |                |
| 50               | 37181 04200      |                                    | Clip                 | クリップ       | 10          |                               |   |           |                |
| 51               | 37181 07700      |                                    | Clip                 | クリップ       | 2           |                               |   |           |                |
| 52               | 03425 00001      |                                    | Vinyl clip           | ビニール クリップ  | 1           |                               |   |           |                |



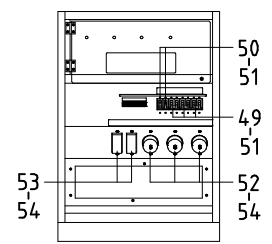
VIEW-A



VIEW-B



VIEW-C



VIEW-D

## 46 - 00 ELECTRIC (for GENERATOR)

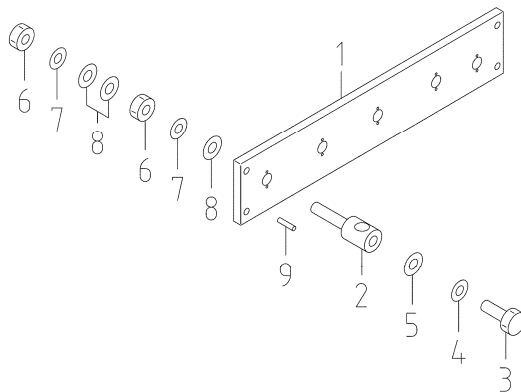
| 見出番号<br>Ref. NO. | 部品番号<br>Part NO. | 互換性<br>Inter-<br>change<br>ability | 部 品 名 称                |              | 数量<br>Q'ty | 適用号機範囲<br>Applicable Ser. No. |   | 変更<br>C/H | 備 考<br>Remarks  |
|------------------|------------------|------------------------------------|------------------------|--------------|------------|-------------------------------|---|-----------|-----------------|
|                  |                  |                                    |                        | Part Name    |            | 8E1                           | - |           |                 |
|                  | 46 - 00          |                                    | ELECTRIC GROUP         | エレクトリック グループ |            |                               |   |           |                 |
| 1                | 46900 49710      |                                    | Switch board ass'y     | 制御盤          | 1          |                               |   |           | Const. No. 2~20 |
| 2                | 46120 45800      |                                    | Circuit breaker        | 三相遮断器        | 1          |                               |   |           |                 |
| 3                | 46923 04800      |                                    | Current transformer    | 変流器(電流計用)    | 3          |                               |   |           |                 |
| 4                | 46929 01300      |                                    | Illuminator            | 照明灯          | 1          |                               |   |           | (LED)           |
| 5                | 46167 05100      |                                    | Select switch          | セレクトスイッチ     | 1          |                               |   |           |                 |
| 6                | 46918 01401      |                                    | Controller             | 電圧設定器        | 1          |                               |   |           | Incl. knob      |
|                  | 46991 01100      |                                    | Knob                   | つまみ          | 1          |                               |   |           |                 |
| 7                | 46167 06300      |                                    | Select switch          | ライトスイッチ      | 1          |                               |   |           |                 |
| 8                | 46950 03502      |                                    | A. V. R ass'y          | 自動電圧調整器      | 1          |                               |   |           |                 |
| 9                | 44311 00310      |                                    | Terminal plate         | 端子台          | 1          |                               |   |           |                 |
| 10               | 46120 36300      |                                    | Circuit breaker        | サーキットブレイカ    | 1          |                               |   |           |                 |
| 11               | 39178 85430      |                                    | Plate (cp)             | プレート         | 1          |                               |   |           |                 |
| 12               | 39153 73700      |                                    | Plate (in-pane)        | プレート         | 1          |                               |   |           |                 |
| 13               | 39178 78240      |                                    | Plate (in-pane)        | プレート         | 1          |                               |   |           |                 |
| 14               | 39178 50820      |                                    | Plate (caution)        | プレート         | 1          |                               |   |           |                 |
| 15               | 46917 06800      |                                    | Change device, voltage | 電圧切替器        | 1          |                               |   |           |                 |
| 16               | 02247 06045      |                                    | Screw, w/w             | ワッシャ付スクリュー   | 4          |                               |   |           |                 |
| 17               | 02247 06030      |                                    | Screw, w/w             | ワッシャ付スクリュー   | 4          |                               |   |           |                 |
| 18               | 45214 01400      |                                    | Washer                 | ワッシャ         | 8          |                               |   |           |                 |
| 19               | 44490 06650      |                                    | Wiring harness         | ワイヤハーネス      | 1          |                               |   |           |                 |
| 20               | 44550 59400      |                                    | Cable kit              | ケーブルキット      | 1          |                               |   |           |                 |
| 21               | 46879 83700      |                                    | Controller complete    | 表示モータ        | 1          |                               |   |           |                 |
| 22               | 46450 53210      |                                    | Bracket                | ブラケット        | 1          |                               |   |           |                 |
| 23               | 46480 97500      |                                    | Cover                  | カバー          | 1          |                               |   |           |                 |
| 24               | 46480 97400      |                                    | Cover                  | カバー          | 1          |                               |   |           |                 |
| 25               | 52931 92320      |                                    | Lining                 | ライニング        | 1          |                               |   |           |                 |
| 26               | 52723 00100      |                                    | Lock ass'y             | ロック          | 1          |                               |   |           |                 |
|                  | 52739 00100      |                                    | Key                    | キー           | 1          |                               |   |           |                 |
| 27               | 46450 52810      |                                    | Bracket                | ブラケット        | 1          |                               |   |           |                 |
| 28               | 46450 52910      |                                    | Bracket                | ブラケット        | 1          |                               |   |           |                 |
| 29               | 03407 64737      |                                    | Seal rubber            | シールラバー       | 1          |                               |   |           |                 |
| 30               | 03407 64714      |                                    | Seal rubber            | シールラバー       | 1          |                               |   |           |                 |
| 31               | 46470 29510      |                                    | Box                    | ボックス         | 1          |                               |   |           |                 |
| 32               | 03407 66504      |                                    | Seal rubber            | シールラバー       | 1          |                               |   |           |                 |
| 33               | 03403 00512      |                                    | Grommet                | グロメット        | 1          |                               |   |           |                 |
| 34               | 03403 00252      |                                    | Grommet                | グロメット        | 1          |                               |   |           |                 |
| 35               | 46450 49000      |                                    | Bracket                | ブラケット        | 1          |                               |   |           |                 |
| 36               | 46450 49100      |                                    | Bracket                | ブラケット        | 1          |                               |   |           |                 |
| 37               | 02201 06016      |                                    | Flange bolt            | フランジ付ボルト     | 48         |                               |   |           |                 |
| 38               | 46480 50200      |                                    | Cover                  | カバー          | 1          |                               |   |           |                 |
| 39               | 02401 46016      |                                    | Screw                  | スクリュー        | 6          |                               |   |           |                 |
| 40               | 44311 56101      |                                    | Terminal plate         | 三相出力端子板      | 1          |                               |   |           | See page 46-4   |
| 41               | 52742 01300      |                                    | Eye bolt               | アイボルト        | 2          |                               |   |           |                 |
| 42               | 52416 30400      |                                    | Window glass           | ウインドグラス      | 1          |                               |   |           |                 |
| 43               | 52312 03300      |                                    | Hinge                  | ヒンジ          | 2          |                               |   |           |                 |
| 44               | 02305 64012      |                                    | Screw                  | スクリュー        | 8          |                               |   |           |                 |
| 45               | 03116 12005      |                                    | Plain washer           | プレーンワッシャ     | 4          |                               |   |           |                 |
| 46               | 02915 00004      |                                    | Hexagon flange nut     | フランジ付ナット     | 4          |                               |   |           |                 |
| 47               | 52640 02400      |                                    | Bolt                   | ボルト          | 1          |                               |   |           |                 |
| 48               | 45214 01400      |                                    | Washer                 | ワッシャ         | 1          |                               |   |           |                 |

## 46 - 00 ELECTRIC (for GENERATOR)

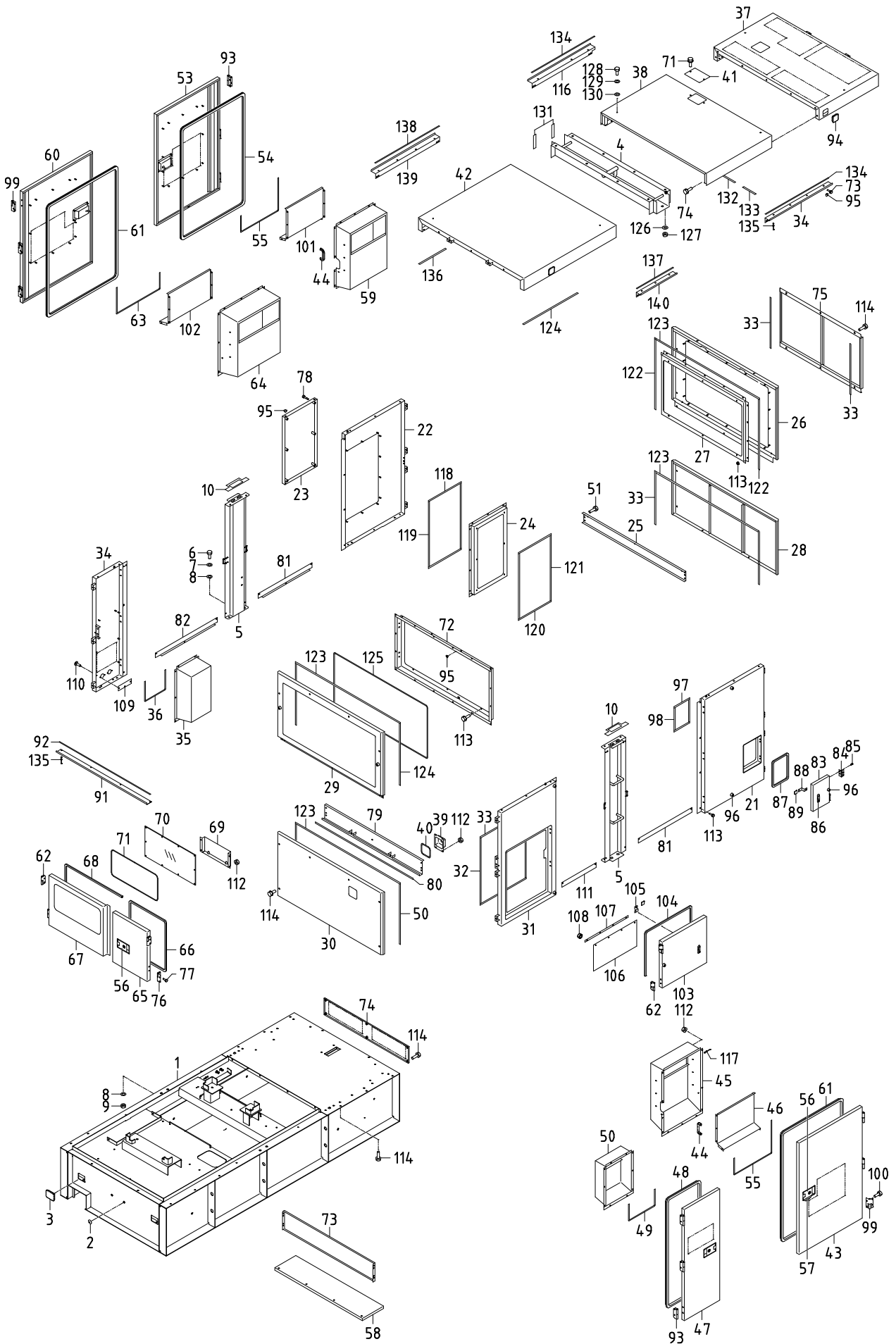
| 見出番号<br>Ref. NO. | 部品番号<br>Part NO. | 互換性<br>Inter-<br>change<br>ability | 部 品 名 称<br>Part Name |            | 数量<br>Q' ty | 適用号機範囲<br>Applicable Ser. No. |   | 変更<br>C/H | 備 考<br>Remarks |
|------------------|------------------|------------------------------------|----------------------|------------|-------------|-------------------------------|---|-----------|----------------|
|                  |                  |                                    |                      |            |             | 8E1                           | - |           |                |
| 49               | 46120 26900      | Y                                  | Circuit breaker      | 電源遮断器      | 3           |                               |   |           | (2P, 50A)      |
| 49               | 46120 34000      | Y                                  | Circuit breaker      | 電源遮断器      | 3           |                               |   |           | (2P, 50A)      |
| 50               | 46120 26800      | Y                                  | Circuit breaker      | 電源遮断器      | 2           |                               |   |           | (1P, 20A)      |
| 50               | 46120 34100      | Y                                  | Circuit breaker      | 電源遮断器      | 2           |                               |   |           | (1P, 20A)      |
| 51               | 02345 63008      |                                    | Screw                | スクリュ       | 16          |                               |   |           |                |
|                  | 03115 02003      |                                    | Spring washer        | スプリング ワッシャ | 16          |                               |   |           |                |
|                  | 03116 12003      |                                    | Plain washer         | プレーン ワッシャ  | 16          |                               |   |           |                |
| 52               | 44312 02801      |                                    | Socket               | ソケット       | 3           |                               |   |           |                |
| 53               | 44312 02900      |                                    | Socket               | ソケット       | 2           |                               |   |           |                |
| 54               | 02345 64020      |                                    | Screw                | スクリュ       | 10          |                               |   |           |                |
|                  | 02912 09004      |                                    | Nut                  | ナット        | 10          |                               |   |           |                |
|                  | 03115 02004      |                                    | Spring washer        | スプリング ワッシャ | 10          |                               |   |           |                |
|                  | 03116 12004      |                                    | Plain washer         | プレーン ワッシャ  | 20          |                               |   |           |                |
| 55               | 44550 56101      |                                    | Cable kit            | ケーブル キット   | 1           |                               |   |           |                |
| 56               | 02201 08020      |                                    | Flange bolt          | フランジ 付ボルト  | 11          |                               |   |           |                |
| 57               | 02915 00010      |                                    | Hexagon flange nut   | フランジ 付ナット  | 2           |                               |   |           |                |
| 58               | 37181 07700      |                                    | Clip                 | クリップ       | 1           |                               |   |           |                |

46 - 01 TERMINAL PLATE

| 見出番号<br>Ref. NO. | 部品番号<br>Part NO. | 互換性<br>Inter-<br>change-<br>ability | 部 品 名 称        |            | 数量<br>Q' ty | 適用号機範囲<br>Applicable Ser. No. |   | 変更<br>C/H | 備 考<br>Remarks |
|------------------|------------------|-------------------------------------|----------------|------------|-------------|-------------------------------|---|-----------|----------------|
|                  |                  |                                     | Part Name      |            |             | 8E1                           | - |           |                |
|                  | 44311 56101      |                                     | TERMINAL PLATE | 三相出力端子板    |             |                               |   |           |                |
| 1                | 46305 09100      |                                     | Plate          | 端子板        | 1           |                               |   |           |                |
| 2                | 46312 05100      |                                     | Bolt           | ボルト        | 5           |                               |   |           |                |
| 3                | 35208 04500      |                                     | Bolt           | ボルト        | 5           |                               |   |           |                |
| 4                | 03115 06014      |                                     | Spring washer  | スプリング ワッシャ | 5           |                               |   |           |                |
| 5                | 03116 15014      |                                     | Plain washer   | プレーン ワッシャ  | 5           |                               |   |           |                |
| 6                | 02912 03014      |                                     | Nut            | ナット        | 10          |                               |   |           |                |
| 7                | 03115 02014      |                                     | Spring washer  | スプリング ワッシャ | 10          |                               |   |           |                |
| 8                | 03116 14014      |                                     | Plain washer   | プレーン ワッシャ  | 15          |                               |   |           |                |
| 9                | 03316 03016      |                                     | Pin            | ピン         | 10          |                               |   |           |                |



51 - 00 FRAME & BONNET



## 51 - 00 FRAME &amp; BONNET

| 見出番号<br>Ref. NO. | 部品番号<br>Part NO. | 互換性<br>Inter-<br>change-<br>ability | 部 品 名 称        |            | 数量<br>Q' ty | 適用号機範囲<br>Applicable Ser. No. |   | 変更<br>C/H | 備 考<br>Remarks |
|------------------|------------------|-------------------------------------|----------------|------------|-------------|-------------------------------|---|-----------|----------------|
|                  |                  |                                     | Part Name      |            |             | 8E1                           | - |           |                |
|                  | 51 - 00          |                                     | FRAME GROUP    | フレーム グループ  |             |                               |   |           |                |
| 1                | 51100 98540      |                                     | Frame          | フレーム       | 1           |                               |   |           |                |
| 2                | 03403 10017      |                                     | Grommet        | グロメット      | 4           |                               |   |           |                |
| 3                | 52746 05000      |                                     | Cap            | キャップ       | 2           |                               |   |           |                |
| 4                | 51500 56000      |                                     | Bracket        | ブラケット      | 1           |                               |   |           |                |
| 5                | 51500 56100      |                                     | Bracket        | ブラケット      | 2           |                               |   |           |                |
| 6                | 02135 16040      |                                     | Bolt           | ボルト        | 8           |                               |   |           |                |
| 7                | 03115 06016      |                                     | Spring washer  | スプリング ワッシャ | 8           |                               |   |           |                |
| 8                | 03116 15016      |                                     | Plain washer   | プレーン ワッシャ  | 12          |                               |   |           |                |
| 9                | 02915 04016      |                                     | Nut            | ナット        | 4           |                               |   |           |                |
| 10               | 52728 58210      |                                     | Cushion rubber | クッション ラバー  | 2           |                               |   |           |                |
|                  | 52 - 00          |                                     | BONNET GROUP   | ボンネット グループ |             |                               |   |           |                |
| 21               | 52100 83530      |                                     | Cover          | カバー        | 1           |                               |   |           |                |
| 22               | 52100 83430      |                                     | Cover          | カバー        | 1           |                               |   |           |                |
| 23               | 46480 96900      |                                     | Cover          | カバー        | 1           |                               |   |           |                |
| 24               | 52830 52930      |                                     | Cover          | カバー        | 1           |                               |   |           |                |
| 25               | 52160 09110      |                                     | Bracket        | ブラケット      | 1           |                               |   |           |                |
| 26               | 52830 59300      |                                     | Cover          | カバー        | 1           |                               |   |           |                |
| 27               | 52350 34830      |                                     | Cover          | カバー        | 1           |                               |   |           |                |
| 28               | 52830 59200      |                                     | Cover          | カバー        | 1           |                               |   |           |                |
| 29               | 52100 83330      |                                     | Cover          | カバー        | 2           |                               |   |           |                |
| 30               | 52230 51100      |                                     | Cover          | カバー        | 2           |                               |   |           |                |
| 31               | 52100 83230      |                                     | Cover          | カバー        | 1           |                               |   |           |                |
| 32               | 03407 66825      |                                     | Seal rubber    | シール ラバー    | 2           |                               |   |           |                |
| 33               | 03407 66811      |                                     | Seal rubber    | シール ラバー    | 6           |                               |   |           |                |
| 34               | 52100 83130      |                                     | Cover          | カバー        | 1           |                               |   |           |                |
| 35               | 52370 49110      |                                     | Duct           | ダクト        | 1           |                               |   |           |                |
| 36               | 03407 68066      |                                     | Seal rubber    | シール ラバー    | 1           |                               |   |           |                |
| 37               | 52300 78320      |                                     | Top cover      | トップカバー     | 1           |                               |   |           |                |
| 38               | 52300 78220      |                                     | Top cover      | トップカバー     | 1           |                               |   |           |                |
| 39               | 52230 44800      |                                     | Cover          | カバー        | 1           |                               |   |           |                |
| 40               | 03407 67611      |                                     | Seal rubber    | シール ラバー    | 1           |                               |   |           |                |
| 41               | 52350 89010      |                                     | Cover          | カバー        | 1           |                               |   |           |                |
| 42               | 52300 78120      |                                     | Top cover      | トップカバー     | 1           |                               |   |           |                |
| 43               | 52450 97430      |                                     | Door           | ドア         | 1           |                               |   |           |                |
| 44               | 03407 67232      |                                     | Seal rubber    | シール ラバー    | 3           |                               |   |           |                |
| 45               | 52370 49410      |                                     | Duct           | ダクト        | 1           |                               |   |           |                |
| 46               | 52370 49610      |                                     | Duct           | ダクト        | 1           |                               |   |           |                |
| 47               | 52450 97630      |                                     | Door           | ドア         | 1           |                               |   |           |                |
| 48               | 03407 64720      |                                     | Seal rubber    | シール ラバー    | 1           |                               |   |           |                |
| 49               | 03407 68065      |                                     | Seal rubber    | シール ラバー    | 1           |                               |   |           |                |
| 50               | 52370 49510      |                                     | Duct           | ダクト        | 1           |                               |   |           |                |
| 51               | 03407 66803      |                                     | Seal rubber    | シール ラバー    | 2           |                               |   |           |                |
| 52               | 02201 08020      |                                     | Flange bolt    | フランジ付ボルト   | 13          |                               |   |           |                |
| 53               | 52450 97330      |                                     | Door           | ドア         | 1           |                               |   |           |                |
| 54               | 03407 64768      |                                     | Seal rubber    | シール ラバー    | 1           |                               |   |           |                |
| 55               | 03407 68097      |                                     | Seal rubber    | シール ラバー    | 1           |                               |   |           |                |
| 56               | 52710 03601      |                                     | Latch ass'y    | ラッチ        | 5           |                               |   |           |                |
|                  | 52739 03400      |                                     | Key (0200)     | キー         | 4           |                               |   |           |                |

## 51 - 00 FRAME &amp; BONNET

| 見出番号<br>Ref. NO. | 部品番号<br>Part NO. | 互換性<br>Inter-<br>change<br>ability | 部 品 名 称<br>Part Name | 数量<br>Q'ty                          | 適用号機範囲<br>Applicable Ser. No. |   | 変更<br>C/H | 備 考<br>Remarks |
|------------------|------------------|------------------------------------|----------------------|-------------------------------------|-------------------------------|---|-----------|----------------|
|                  |                  |                                    |                      |                                     | 8E1                           | - |           |                |
| 57               | 52728 14810      |                                    | Cushion rubber       | クッション ラハ <sup>°</sup> -             | 5                             |   |           |                |
| 58               | 52830 59400      |                                    | Cover                | カバ <sup>°</sup> -                   | 1                             |   |           |                |
| 59               | 52370 49210      |                                    | Duct                 | ダ <sup>°</sup> クト                   | 1                             |   |           |                |
| 60               | 52450 97530      |                                    | Door                 | ド <sup>°</sup> ア                    | 1                             |   |           |                |
| 61               | 03407 64768      |                                    | Seal rubber          | シール ラハ <sup>°</sup> -               | 2                             |   |           |                |
| 62               | 52480 13800      |                                    | Hinge                | ヒンジ <sup>°</sup>                    | 4                             |   |           |                |
| 63               | 03407 68104      |                                    | Seal rubber          | シール ラハ <sup>°</sup> -               | 1                             |   |           |                |
| 64               | 52370 49310      |                                    | Duct                 | ダ <sup>°</sup> クト                   | 1                             |   |           |                |
| 65               | 52450 97130      |                                    | Door                 | ド <sup>°</sup> ア                    | 1                             |   |           |                |
| 66               | 03407 64708      |                                    | Seal rubber          | シール ラハ <sup>°</sup> -               | 1                             |   |           |                |
| 67               | 52450 97030      |                                    | Door                 | ド <sup>°</sup> ア                    | 1                             |   |           |                |
| 68               | 03407 64708      |                                    | Seal rubber          | シール ラハ <sup>°</sup> -               | 1                             |   |           |                |
| 69               | 39200 04302      |                                    | Tool box             | ツール ボ <sup>°</sup> ックス              | 1                             |   |           |                |
| 70               | 52416 30800      |                                    | Window glass         | ウイント <sup>°</sup> グ <sup>°</sup> ラス | 1                             |   |           |                |
| 71               | 03407 67605      |                                    | Seal rubber          | シール ラハ <sup>°</sup> -               | 2                             |   |           |                |
| 72               | 52350 48630      |                                    | Cover                | カバ <sup>°</sup> -                   | 1                             |   |           |                |
| 73               | 52830 59600      |                                    | Cover                | カバ <sup>°</sup> -                   | 1                             |   |           |                |
| 74               | 52830 59700      |                                    | Cover                | カバ <sup>°</sup> -                   | 1                             |   |           |                |
| 75               | 52350 35130      |                                    | Cover                | カバ <sup>°</sup> -                   | 1                             |   |           |                |
| 76               | 52480 14400      |                                    | Hinge                | ヒンジ <sup>°</sup>                    | 2                             |   |           |                |
| 77               | 02136 08016      |                                    | Bolt                 | ボ <sup>°</sup> ルト                   | 16                            |   |           |                |
| 78               | 02136 08050      |                                    | Bolt                 | ボ <sup>°</sup> ルト                   | 6                             |   |           |                |
| 79               | 52160 14710      |                                    | Bracket              | ブ <sup>°</sup> ラケット                 | 1                             |   |           |                |
| 80               | 03407 66860      |                                    | Seal rubber          | シール ラハ <sup>°</sup> -               | 1                             |   |           |                |
| 81               | 52160 29310      |                                    | Bracket              | ブ <sup>°</sup> ラケット                 | 2                             |   |           |                |
| 82               | 52160 29410      |                                    | Bracket              | ブ <sup>°</sup> ラケット                 | 1                             |   |           |                |
| 83               | 52400 56322      |                                    | Side cover           | サイド <sup>°</sup> カバ <sup>°</sup> -  | 1                             |   |           |                |
| 84               | 52480 13300      |                                    | Hinge                | ヒンジ <sup>°</sup>                    | 2                             |   |           |                |
| 85               | 02401 46012      |                                    | Screw                | スクリュ                                | 8                             |   |           |                |
| 86               | 52711 01400      |                                    | Latch ass'y          | ラッチ                                 | 2                             |   |           |                |
| 87               | 03407 64739      |                                    | Seal rubber          | シール ラハ <sup>°</sup> -               | 1                             |   |           |                |
| 88               | 52733 11800      |                                    | Plate                | プ <sup>°</sup> レート                  | 1                             |   |           |                |
| 89               | 52746 01900      |                                    | Cap                  | キャップ <sup>°</sup>                   | 1                             |   |           | (protector)    |
| 90               | 02246 08016      |                                    | Bolt, w/w            | ワッシャ付ボ <sup>°</sup> ルト              | 10                            |   |           |                |
| 91               | 52160 03710      |                                    | Bracket              | ブ <sup>°</sup> ラケット                 | 1                             |   |           |                |
| 92               | 03407 68110      |                                    | Seal rubber          | シール ラハ <sup>°</sup> -               | 1                             |   |           |                |
| 93               | 52480 12500      |                                    | Hinge                | ヒンジ <sup>°</sup>                    | 6                             |   |           |                |
| 94               | 52746 05400      |                                    | Cap                  | キャップ <sup>°</sup>                   | 4                             |   |           | (閉塞用)          |
| 95               | 03403 10010      |                                    | Grommet              | グ <sup>°</sup> ロメット                 | 14                            |   |           |                |
| 96               | 31131 04100      |                                    | Rubber               | ゴ <sup>°</sup> ム                    | 12                            |   |           |                |
| 97               | 03407 66852      |                                    | Seal rubber          | シール ラハ <sup>°</sup> -               | 2                             |   |           |                |
| 98               | 03407 66865      |                                    | Seal rubber          | シール ラハ <sup>°</sup> -               | 2                             |   |           |                |
| 99               | 52480 12600      |                                    | Hinge                | ヒンジ <sup>°</sup>                    | 6                             |   |           |                |
| 100              | 02136 08020      |                                    | Bolt                 | ボ <sup>°</sup> ルト                   | 48                            |   |           |                |
| 101              | 52370 49610      |                                    | Duct                 | ダ <sup>°</sup> クト                   | 1                             |   |           |                |
| 102              | 52370 49710      |                                    | Duct                 | ダ <sup>°</sup> クト                   | 1                             |   |           |                |
| 103              | 52450 78030      |                                    | Door                 | ド <sup>°</sup> ア                    | 1                             |   |           |                |
| 104              | 03407 64717      |                                    | Seal rubber          | シール ラハ <sup>°</sup> -               | 1                             |   |           |                |
| 105              | 52733 11201      |                                    | Plate                | プ <sup>°</sup> レート                  | 1                             |   |           |                |
| 106              | 52728 52910      |                                    | Cushion rubber       | クッション ラハ <sup>°</sup> -             | 1                             |   |           |                |
| 107              | 52456 04100      |                                    | Plate                | プ <sup>°</sup> レート                  | 1                             |   |           |                |
| 108              | 02914 60006      |                                    | Locking nut          | ロッキング <sup>°</sup> ナット              | 4                             |   |           |                |
| 109              | 52350 83220      |                                    | Cover                | カバ <sup>°</sup> -                   | 1                             |   |           |                |
| 110              | 02401 45016      |                                    | Screw                | スクリュ                                | 2                             |   |           |                |

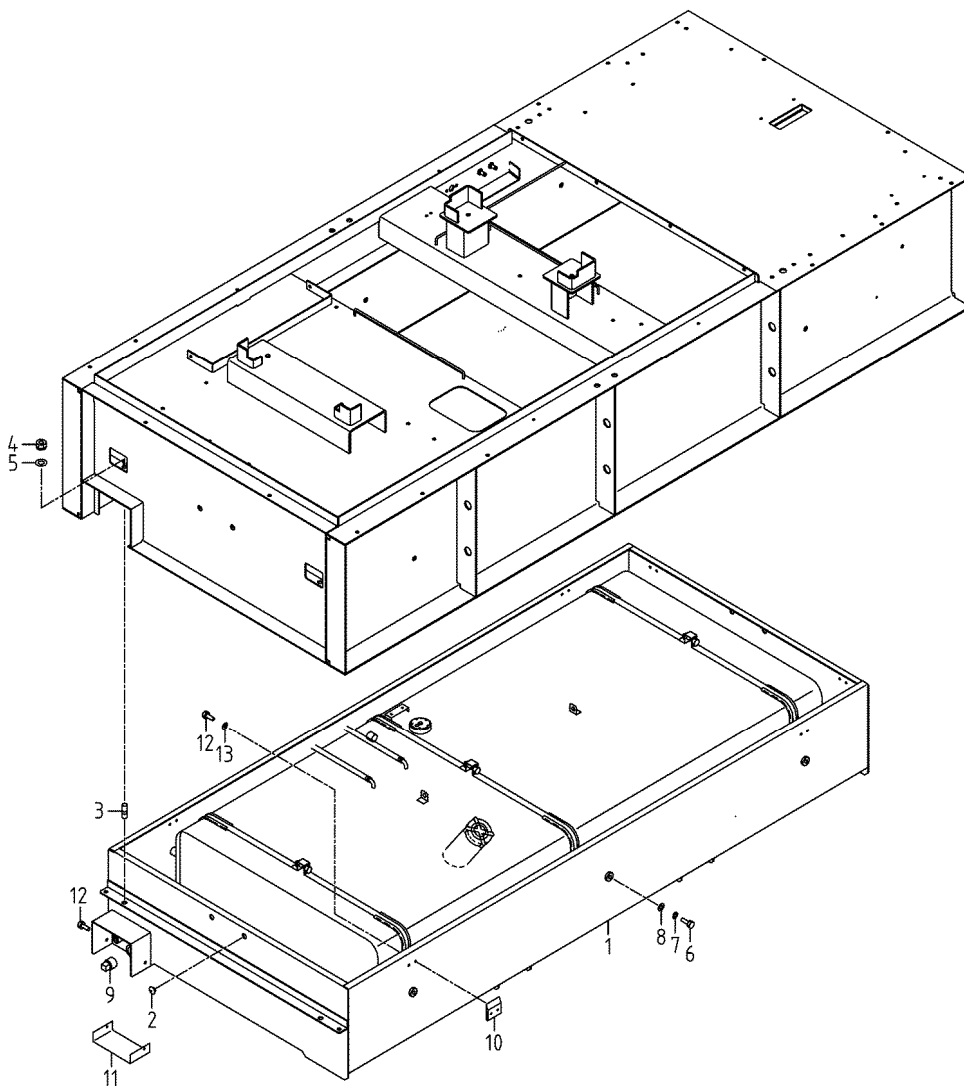


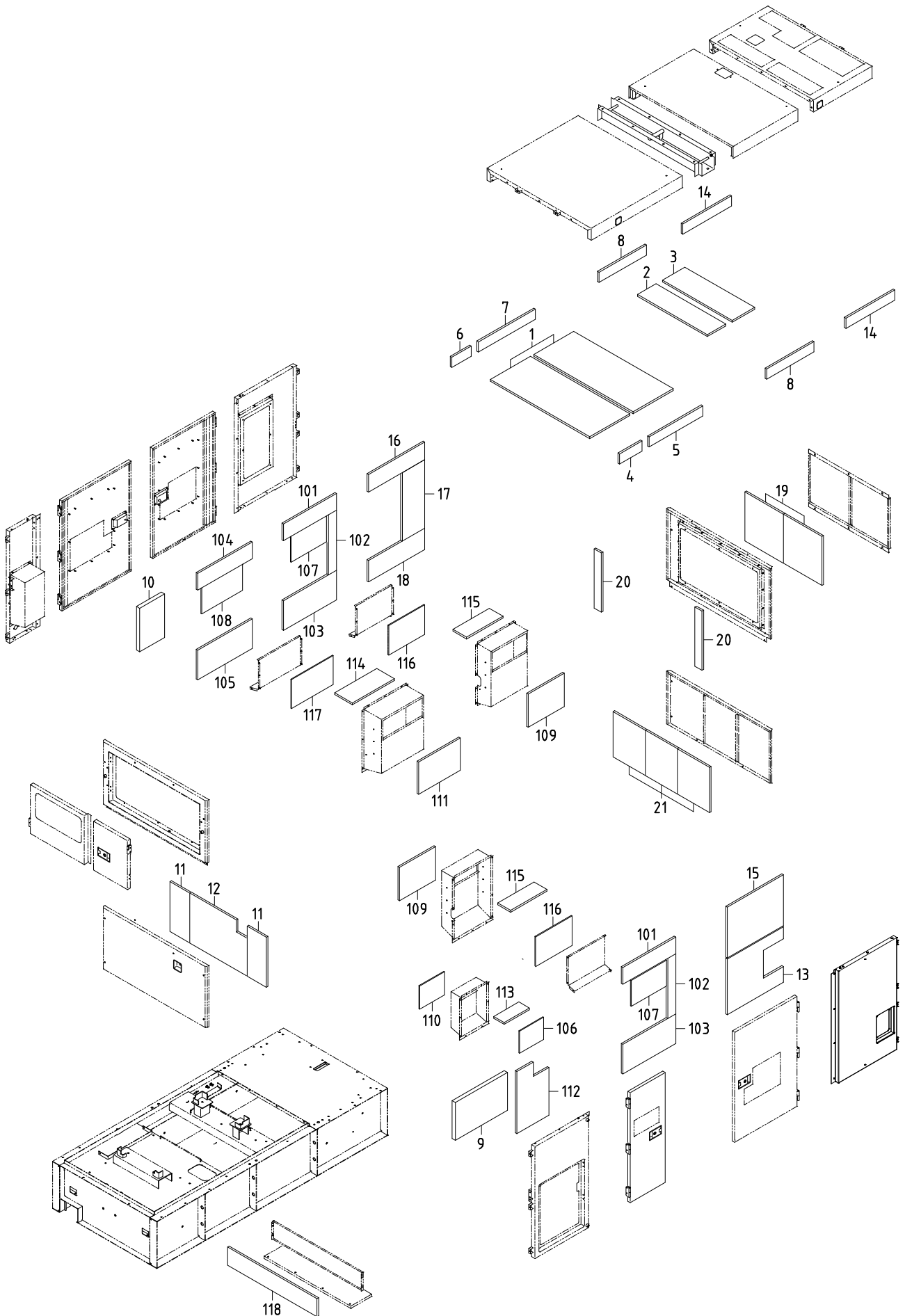
## 51 - 00 FRAME &amp; BONNET

| 見出番号<br>Ref. NO. | 部品番号<br>Part NO. | 互換性<br>Inter-<br>change<br>ability | 部 品 名 称            |            | 数量<br>Q' ty | 適用号機範囲<br>Applicable Ser. No. |   | 変更<br>C/H | 備 考<br>Remarks |
|------------------|------------------|------------------------------------|--------------------|------------|-------------|-------------------------------|---|-----------|----------------|
|                  |                  |                                    |                    | Part Name  |             | 8E1                           | - |           |                |
| 111              | 52160 29510      |                                    | Bracket            | ブ ラケツト     | 1           |                               |   |           |                |
| 112              | 02915 00006      |                                    | Hexagon flange nut | フランジ 付ナツト  | 141         |                               |   |           |                |
| 113              | 02246 06016      |                                    | Bolt, w/w          | ワッシャ付ボルト   | 31          |                               |   |           |                |
| 114              | 02246 08025      |                                    | Bolt, w/w          | ワッシャ付ボルト   | 88          |                               |   |           |                |
| 115              | 52160 28910      |                                    | Bracket            | ブ ラケツト     | 1           |                               |   |           |                |
| 116              | 52160 29010      |                                    | Bracket            | ブ ラケツト     | 1           |                               |   |           |                |
| 117              | 03266 05012      |                                    | Blind rivet        | リベ ット      | 24          |                               |   |           |                |
| 118              | 03407 66814      |                                    | Seal rubber        | シール ラバ ー   | 2           |                               |   |           |                |
| 119              | 03407 66841      |                                    | Seal rubber        | シール ラバ ー   | 2           |                               |   |           |                |
| 120              | 03407 66815      |                                    | Seal rubber        | シール ラバ ー   | 2           |                               |   |           |                |
| 121              | 03407 66818      |                                    | Seal rubber        | シール ラバ ー   | 2           |                               |   |           |                |
| 122              | 03407 66837      |                                    | Seal rubber        | シール ラバ ー   | 2           |                               |   |           |                |
| 123              | 03407 66807      |                                    | Seal rubber        | シール ラバ ー   | 4           |                               |   |           |                |
| 124              | 03407 66825      |                                    | Seal rubber        | シール ラバ ー   | 3           |                               |   |           |                |
| 125              | 03407 67605      |                                    | Seal rubber        | シール ラバ ー   | 4           |                               |   |           |                |
| 126              | 52744 01200      |                                    | Washer             | ワッシャ       | 8           |                               |   |           |                |
| 127              | 02915 00008      |                                    | Hexagon flange nut | フランジ 付ナツト  | 8           |                               |   |           |                |
| 128              | 02136 08020      |                                    | Bolt               | ボ ルト       | 4           |                               |   |           |                |
| 129              | 03116 35008      |                                    | Bolt, w/w          | ワッシャ付ボルト   | 4           |                               |   |           |                |
| 130              | 52744 00900      |                                    | Washer             | ワッシャ       | 4           |                               |   |           |                |
| 131              | 52728 06810      |                                    | Cushion rubber     | クッション ラバ ー | 4           |                               |   |           |                |
| 132              | 03407 66809      |                                    | Seal rubber        | シール ラバ ー   | 1           |                               |   |           |                |
| 133              | 03407 66861      |                                    | Seal rubber        | シール ラバ ー   | 1           |                               |   |           |                |
| 134              | 03407 68078      |                                    | Seal rubber        | シール ラバ ー   | 2           |                               |   |           |                |
| 135              | 03266 05013      |                                    | Blind rivet        | リベ ット      | 19          |                               |   |           |                |
| 136              | 03407 66849      |                                    | Seal rubber        | シール ラバ ー   | 1           |                               |   |           |                |
| 137              | 03407 68045      |                                    | Seal rubber        | シール ラバ ー   | 1           |                               |   |           |                |
| 138              | 03407 68079      |                                    | Seal rubber        | シール ラバ ー   | 1           |                               |   |           |                |
| 139              | 52160 29110      |                                    | Bracket            | ブ ラケツト     | 1           |                               |   |           |                |
| 140              | 52160 29210      |                                    | Bracket            | ブ ラケツト     | 1           |                               |   |           |                |

51 - 01 OIL FENCE

| 見出番号<br>Ref. NO. | 部品番号<br>Part NO. | 互換性<br>Inter-<br>change<br>ability | 部 品 名 称       |           | 数量<br>Q' ty | 適用号機範囲<br>Applicable Ser. No. |   | 変更<br>C/H | 備 考<br>Remarks |
|------------------|------------------|------------------------------------|---------------|-----------|-------------|-------------------------------|---|-----------|----------------|
|                  |                  |                                    | Part Name     |           |             | 8E1                           | - |           |                |
|                  | 51 - 01          |                                    | FRAME GROUP   | フレームグループ  |             |                               |   |           |                |
| 1                | 51250 05000      |                                    | Base          | ベース       | 1           |                               |   |           |                |
| 2                | 03403 10017      |                                    | Grommet       | グロメット     | 4           |                               |   |           |                |
| 3                | 02473 12035      |                                    | Stud bolt     | スタッドボルト   | 2           |                               |   |           |                |
| 4                | 02915 20012      |                                    | Nut, w/w      | ワッシャ付ナット  | 2           |                               |   |           |                |
| 5                | 03116 12012      |                                    | Plain washer  | プレーンワッシャ  | 2           |                               |   |           |                |
| 6                | 02136 12025      |                                    | Bolt          | ボルト       | 6           |                               |   |           |                |
| 7                | 03115 06012      |                                    | Spring washer | スプリングワッシャ | 6           |                               |   |           |                |
| 8                | 03116 15012      |                                    | Plain washer  | プレーンワッシャ  | 6           |                               |   |           |                |
| 9                | 03620 41008      |                                    | Plug          | プラグ       | 1           |                               |   |           |                |
| 10               | 52140 20901      |                                    | Frame         | スライダ      | 8           |                               |   |           | (guide)        |
| 11               | 52140 21101      |                                    | Frame         | ブラケット     | 1           |                               |   |           |                |
| 12               | 02246 06016      |                                    | Bolt, w/w     | ワッシャ付ボルト  | 14          |                               |   |           |                |
| 13               | 52744 01100      |                                    | Washer        | ワッシャ      | 12          |                               |   |           |                |





## 52 - 00 LINING

| 見出番号<br>Ref. NO. | 部品番号<br>Part NO. | 互換性<br>Inter-<br>change<br>ability | 部 品 名 称<br>Part Name |               | 数量<br>Q' ty | 適用号機範囲<br>Applicable Ser. No. |   | 変更<br>C/H | 備 考<br>Remarks |
|------------------|------------------|------------------------------------|----------------------|---------------|-------------|-------------------------------|---|-----------|----------------|
|                  |                  |                                    |                      |               |             | 8E1                           | - |           |                |
|                  | 52900 68320      |                                    | URETHANE FOAM KIT    | ウレタン フォーム キット |             |                               |   |           |                |
| 1                | 52959 50560      |                                    | Lining               | ライニング*        | 2           |                               |   |           |                |
| 2                | 52959 07660      |                                    | Lining               | ライニング*        | 1           |                               |   |           |                |
| 3                | 52959 97930      |                                    | Lining               | ライニング*        | 1           |                               |   |           |                |
| 4                | 52959 33460      |                                    | Lining               | ライニング*        | 1           |                               |   |           |                |
| 5                | 52959 50660      |                                    | Lining               | ライニング*        | 1           |                               |   |           |                |
| 6                | 52959 81220      |                                    | Lining               | ライニング*        | 1           |                               |   |           |                |
| 7                | 52959 69220      |                                    | Lining               | ライニング*        | 1           |                               |   |           |                |
| 8                | 52959 64750      |                                    | Lining               | ライニング*        | 2           |                               |   |           |                |
| 9                | 52959 50760      |                                    | Lining               | ライニング*        | 1           |                               |   |           |                |
| 10               | 52959 50860      |                                    | Lining               | ライニング*        | 1           |                               |   |           |                |
| 11               | 52959 50960      |                                    | Lining               | ライニング*        | 2           |                               |   |           |                |
| 12               | 52931 41530      |                                    | Lining               | ライニング*        | 1           |                               |   |           |                |
| 13               | 52939 23840      |                                    | Lining               | ライニング*        | 1           |                               |   |           |                |
| 14               | 52919 09700      |                                    | Lining               | ライニング*        | 2           |                               |   |           |                |
| 15               | 52919 15830      |                                    | Lining               | ライニング*        | 1           |                               |   |           |                |
| 16               | 52919 29330      |                                    | Lining               | ライニング*        | 1           |                               |   |           |                |
| 17               | 52919 29430      |                                    | Lining               | ライニング*        | 1           |                               |   |           |                |
| 18               | 52919 29530      |                                    | Lining               | ライニング*        | 1           |                               |   |           |                |
| 19               | 52919 29630      |                                    | Lining               | ライニング*        | 2           |                               |   |           |                |
| 20               | 52919 29730      |                                    | Lining               | ライニング*        | 2           |                               |   |           |                |
| 21               | 52919 29830      |                                    | Lining               | ライニング*        | 3           |                               |   |           |                |
| 101              | 52977 37210      |                                    | Lining               | ライニング*        | 2           |                               |   |           |                |
| 102              | 52977 34510      |                                    | Lining               | ライニング*        | 2           |                               |   |           |                |
| 103              | 52977 37310      |                                    | Lining               | ライニング*        | 2           |                               |   |           |                |
| 104              | 52977 37410      |                                    | Lining               | ライニング*        | 1           |                               |   |           |                |
| 105              | 52977 37510      |                                    | Lining               | ライニング*        | 1           |                               |   |           |                |
| 106              | 52977 54500      |                                    | Lining               | ライニング*        | 1           |                               |   |           |                |
| 107              | 52977 37610      |                                    | Lining               | ライニング*        | 2           |                               |   |           |                |
| 108              | 52977 37710      |                                    | Lining               | ライニング*        | 1           |                               |   |           |                |
| 109              | 52977 37810      |                                    | Lining               | ライニング*        | 2           |                               |   |           |                |
| 110              | 52977 37910      |                                    | Lining               | ライニング*        | 1           |                               |   |           |                |
| 111              | 52977 38010      |                                    | Lining               | ライニング*        | 1           |                               |   |           |                |
| 112              | 52978 72800      |                                    | Lining               | ライニング*        | 1           |                               |   |           |                |
| 113              | 52977 38110      |                                    | Lining               | ライニング*        | 1           |                               |   |           |                |
| 114              | 52977 38210      |                                    | Lining               | ライニング*        | 1           |                               |   |           |                |
| 115              | 52977 38310      |                                    | Lining               | ライニング*        | 1           |                               |   |           |                |
| 116              | 52977 38410      |                                    | Lining               | ライニング*        | 2           |                               |   |           |                |
| 117              | 52977 38510      |                                    | Lining               | ライニング*        | 2           |                               |   |           |                |
| 118              | 52977 38610      |                                    | Lining               | ライニング*        | 1           |                               |   |           |                |

2020年 7月 1日 初版

発行 **北越工業株式会社**

新潟本社・工場  
新潟県燕市下粟生津3074

(無断複写・転載を禁ず)

**HOKUETSU INDUSTRIES CO., LTD.**

8TH FLOOR SHINJUKU SAN-EI BLDG,  
22-2 NISHI-SHINJUKU 1-CHOME, SHINJUKU-KU  
TOKYO 160-0023 JAPAN  
TEL:81-3-3348-7281  
FAX:81-3-3348-7289  
URL:<http://www.airman.co.jp>

Copyright (C) 2020 HOKUETSU INDUSTRIES CO., LTD. All Rights Reserved.

2007-00  
CAT. NO. 39540 87000

