

AIRMAN

SG

PARTS CATALOG

ENGINE GENERATOR

SDG25S-8B1

適用型式
FOR MODEL

型 式 MODEL	適用号機 SER. NO.
SDG25S-8B1 [WITH OIL FENCE TYPE]	1238B10051~

NOTICE

1. This parts catalog contains all the parts and assemblies of "AIRMAN" brand products. The complete unit is divided into several parts groups, the details of which are clearly illustrated, and completely listed. So desired part number, name and quantity can be easily determined referring to Ref.No.

2. When you place order for service parts, please be sure to advise us of the following information.

- (1) Part number.
- (2) Quantity required.
- (3) Part name.
- (4) Model name and Serial number.

3. How to read parts catalog.

(1) Ref.No.

Reference number (Ref.No.) is to be used for locating the part number and name from the illustrations. (However some parts such as bolts and nuts etc., are not illustrated but their reference numbers only listed.)

Ref.No. 1, 1-1, 1-2, shows history of part modifications; namely ref.No. 1 changed to No. 1-1 and then 1-2.

Example: Ref.No.	Part No.
1.	21101 00101
1-1.	21101 00103

(2) Part No.

Every part has its own proper number.

Even if a part has the same shape as an other part and if its number different, it is not interchangeable at all in many cases.

(3) Interchangeability

A. B. C. D. Q. X. Y. and Z. in column "Interchangeability" show the following.

A : A new part is replaceable with an old part, but the old part is not replaceable with the new one.

B : Not interchangeable.

C : Disused.

D : Newly added.

Q : Quantity per unit changed.

X : Included in this set of parts, this part is not used for this model.

Y : Part to be selected.

Z : This part can not be supplied as an individual part.

(4) Part name

Every part has its own proper name.

(5) Q'ty

The number shown in the column of Q'TY indicates the quantity of parts used per one unit machine.

(6) Change column

M1,M2,M3,.....Mn mentioned in the column indicate the change of part number. and the serial number of the unit,the part of which was modified.

To check the serial number, refer to "LIST OF MACHINE SERIAL NUMBERS & CHANGED PART NUMBERS" mentioned in the front part of this book.

4. Abbreviations used in this catalog.

ass'y	assembly	L	Length
A	Ampere	OPT.	Option
AUTO.	Automatic	SPC/S.	Special specifications
C/H	Change column	STD.	Standards
Const.	Consisting of	sw.	switch
Cont.	Control	T or t	Thickness
Eng.	Engine	V	Volt
EXP.	Export	W	Watt
GEN.	Generator	w.	with
Incl.	Including	w/o	without

5. HOW TO READ MODELS

Example: S D G 2 5 S - 3 A 1

SDG : SKID-MOUNTED DIESEL GENERATOR

PDG : PORTABLE DIESEL GENERATOR

SPG : SKID-MOUNTED POWER TAKE OFF GENERATOR

ATS : AUTOMATIC TRANSFER SWITCHES

25 : OUTPUT(kVA)

S : SILENT TYPE

w/o S: UNSILENCED TYPE

A S : ADVANCED SILENT TYPE

3 : BOX TYPE

4 : SUPER SLIM TYPE

5 : FREQUENCY

6 : NORTH AMERICA TYPE

7 : w.OIL FENCE

8 : NORTH AMERICA TYPE(w.OIL FENCE)

MODEL CHANGE MARK

No mark:POWER TAKE OFF GENERATOR

VARIATION MARK

No mark:w/o METAL CONSENT

M : w.METAL CONSENT

A : TRIPLE-V(TYPE A)

B : w.METAL CONSENT(TYPE B)

C : w.SAFETY SYSTEM(TYPE C)

E : w.ATS

D : w.OIL FENCE & TRIPLE-V(TYPE A)

F : w.OIL FENCE &

w.SAFETY SYSTEM(TYPE C)

G : w.OIL FENCE & w.ATS

In case of ATS: 1~4•••12V TYPE,5~8•••24V TYPE

NOTE: We are always engaged in improving our products.So there may be some changes of the product which are not yet mentioned in this parts catalog.

Therefore,in necessary case,we issue a revision in which such changes ars added.

When you have any question on the parts catalog,please ask your nearest dealer or directly us.

For engine parts,please refer to separate engine parts catalog.

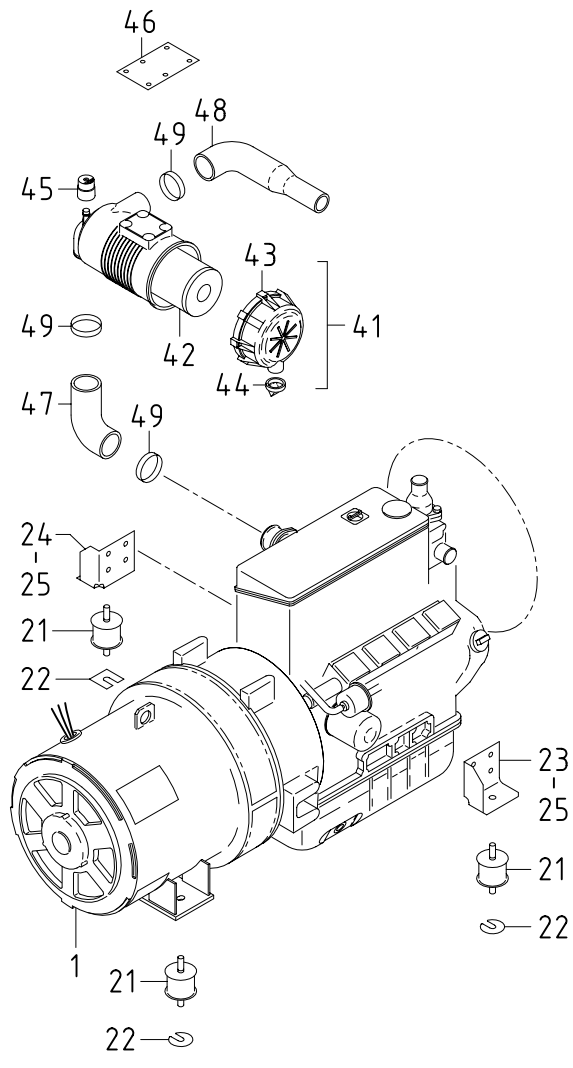
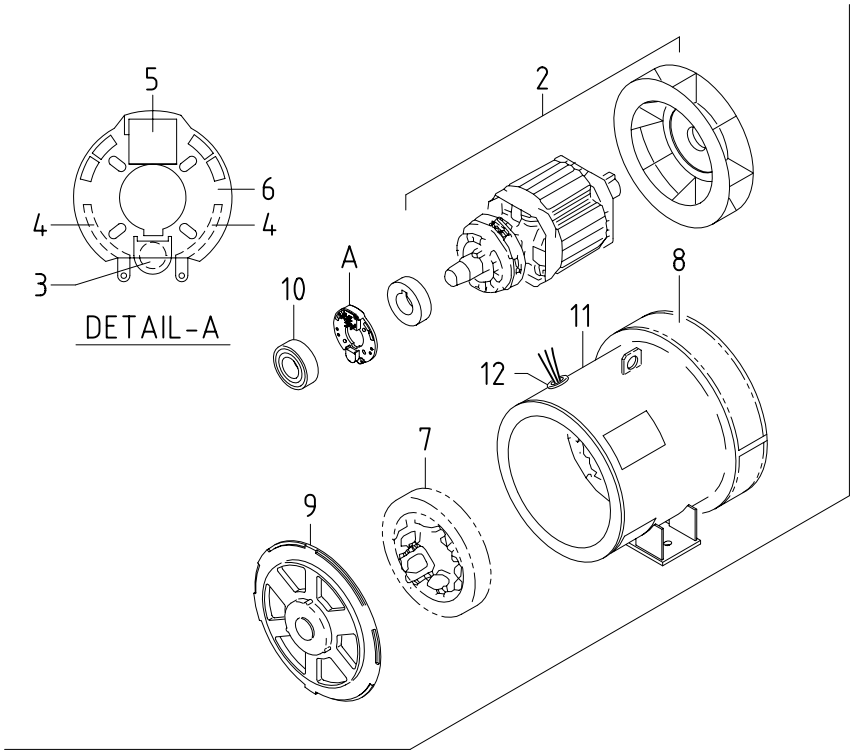
部品番号変更時期一覧表

LIST OF MACHINE SERIAL NUMBERS & CHANGED PART NUMBERS

変更 C/H	型 式 と 実 施 号 機 MODEL NAME & SER. NO. OF THE UNIT, THE PART OF WHICH WAS CHANGED					
	SDG25S-8B1					
M 1	0134~					
M190	0052~					
M192	0080~					
M204	0080~					
M216	0134~					

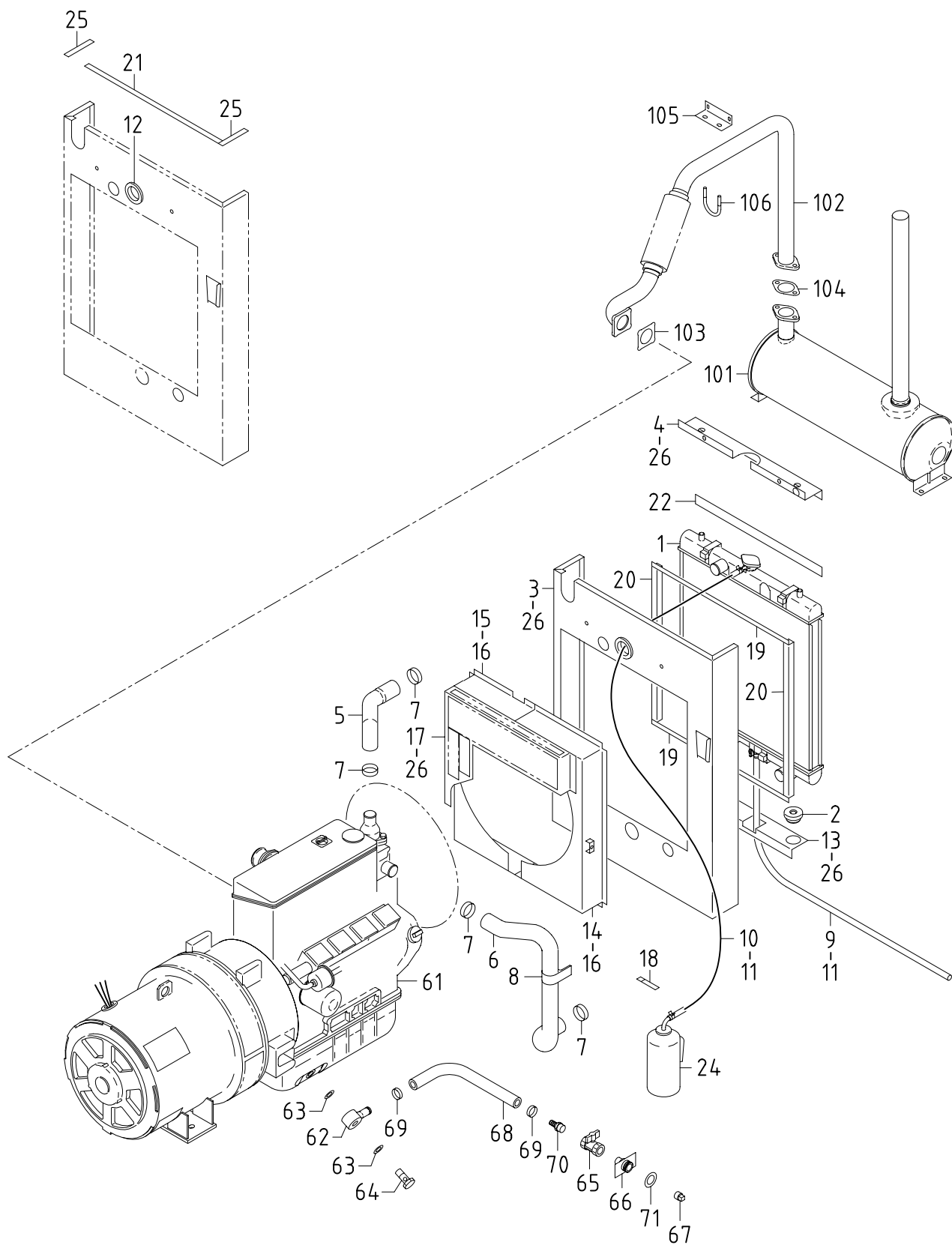
目 次
CONTENTS

図 番 号 FIG. NO.	図 名 称 FIG. NAME	頁 PAGE
20 - 00	GENERATOR, MOUNTING & INTAKE	ゼネレータ, マウンティング, インテーク 20- 1~2
38 - 00	COOLING, ENGINE & EXHAUST	クーリング, エンジン, エキゾースト 38- 1~2
39 - 00	NAME PLATE	ネームプレート 39- 1~2
43 - 00	FUEL LINE	フュエルライン 43- 1~2
44 - 00	ELECTRIC	エレクトリック 44- 1~3
51 - 00	FRAME & BONNET	フレーム, ボンネット 51- 1~2
51 - 01	OIL FENCE	オイルフェンス 51- 3~4
52 - 00	LINING	ライニング 52- 1



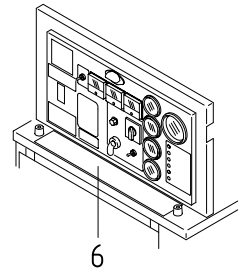
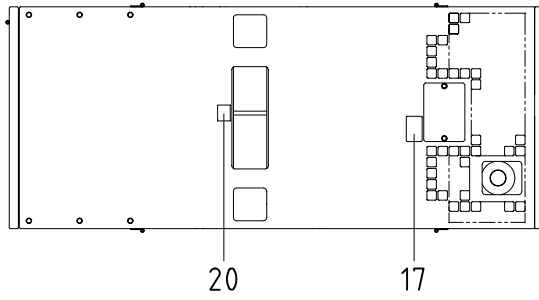
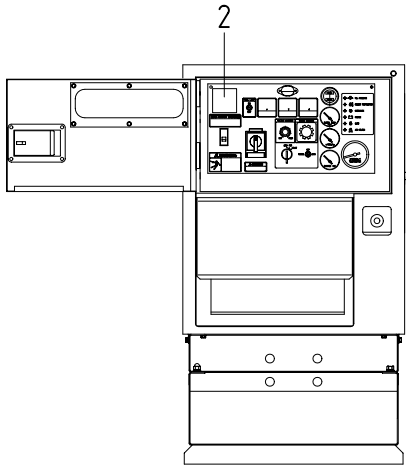
20 - 00 GENERATOR, MOUNTING & INTAKE

Ref. NO.	Part NO.	Inter-change ability	Part Name	Q' ty	C/H	Remarks	Ref. NO.	Part NO.	Inter-change ability	Part Name	Q' ty	C/H	Remarks
20 - 00 GENERATOR GROUP													
1	20003 59900		Generator	1		Const. No. 2~12							
	02135 08030		Bolt	8		(for coupling)							
	03115 02008		Spring washer	8		(for coupling)							
	02238 10025		Bolt, w/w	12		(for casing)							
2	25100 09300		A. C. G. rotor ass'y	1									
3	25650 01800		Surge absorber	1									
4	25641 01800		Belt	2									
5	46921 08800		Silicon rectifier	1									
	02345 63012		Screw	2									
	03115 02003		Spring washer	2									
	03116 12003		Plain washer	2									
6	25660 02200		Plate	1									
	02912 08006		Nut	4									
	03115 02006		Spring washer	4									
	03116 12006		Plain washer	4									
7	25700 07800		EX. stator ass'y	1									
	02138 06035		Bolt	3									
	03115 02006		Spring washer	3									
	03116 12006		Plain washer	3									
8	25360 07300		Cover	1									
	02248 06025		Bolt, w/w	1									
9	25310 09600		Casing	1									
	02138 08040		Bolt	4									
	03115 02008		Spring washer	4									
10	21472 15700		Bearing	1		(6308ZZ)							
11	25200 11200		A. C. G. stator ass'y	1									
12	36135 01900		Grommet	1									
31 - 00 MOUNTING GROUP													
21	31130 06500		Vibration isolator ass'y	4									
	02915 20012		Nut, w/w	8									
	03116 12012		Plain washer	8									
22	31120 08900		Shim	1									
23	31110 94301		Bracket	1									
24	31110 94401		Bracket	1									
25	02201 10020		Flange bolt	8									
32 - 00 INTAKE GROUP													
41	32100 40500		Air filter ass'y	1		Const. No. 42~44							
	02201 08012		Flange bolt	2									
42	32143 11500		Element	1									
43	32142 11000		Cup	1									
44	32151 01400		Vacuator valve	1									
45	32148 03000		Filter, service indicator	1									
46	32240 36801		Bracket	1									
	02201 08020		Flange bolt	2									
47	32331 64300		Hose	1									
48	32331 70600		Hose	1									
49	03511 20070		Hose clip	3									

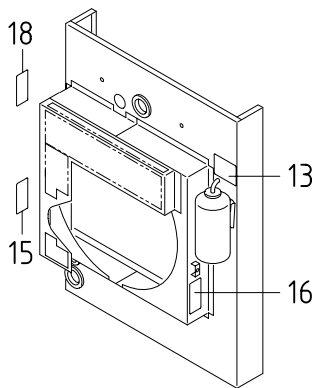
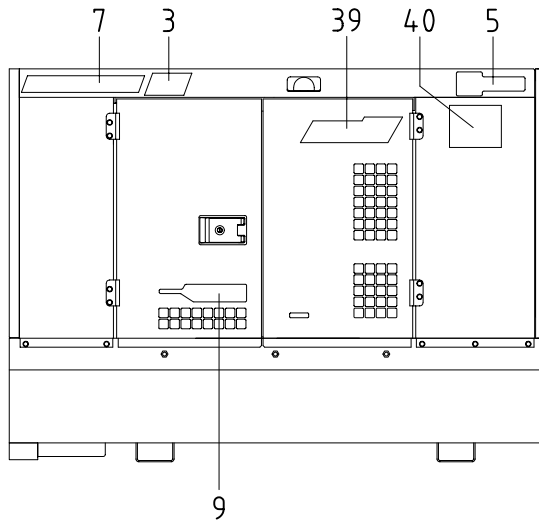
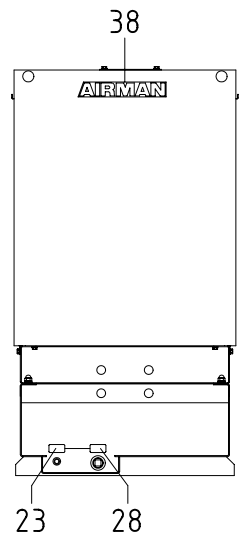
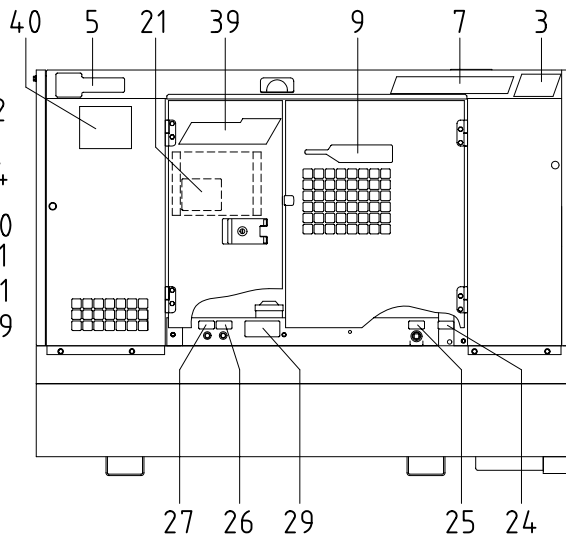
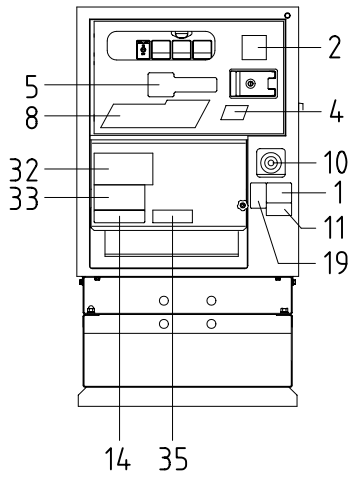


38 - 00 COOLING, ENGINE & EXHAUST

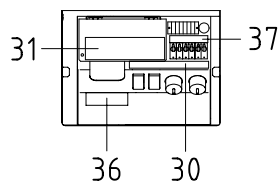
Ref. NO.	Part NO.	Inter-change ability	Part Name	Q'ty	C/H	Remarks	Ref. NO.	Part NO.	Inter-change ability	Part Name	Q'ty	C/H	Remarks
38 - 00 COOLING GROUP													
1	38100 42800		Radiator	1									
	38410 05700		Cap	1									
	38469 01400		Valve	1		(drain)							
2	31131 04900		Rubber	2									
3	52350 32221		Cover	1									
4	38420 80201		Bracket	1									
5	38524 62300		Hose	1									
6	38524 66300		Hose	1									
7	03511 20045		Hose clip	4									
8	03424 80214		Clip	1									
	02201 08012		Flange bolt	1									
9	38594 02300		Hose	1		(drain)							
10	38594 05800		Hose	1									
11	03511 40016		Hose clip	3									
12	03403 00512		Grommet	1									
13	38420 92700		Bracket	1									
14	38440 98101		Shroud, fan	1									
15	38440 98201		Shroud, fan	1									
16	02915 00006		Hexagon flange nut	14									
17	38450 74701		Guard, fan	1									
18	03424 80101		Clip	1									
19	03407 66929		Seal rubber	2									
20	03407 67416		Seal rubber	2									
21	03407 66919		Seal rubber	1									
22	03407 64605		Seal rubber	1									
23	* * *												
24	38590 01300		Reserve tank ass'y	1									
25	03407 66948		Seal rubber	2									
26	02201 06016		Flange bolt	13									
41 - 00 ENGINE GROUP													
61	* * *		Engine	1		(ISUZU BV-4LE1)							
			(Fuel filter: ISUZU 894394 0781)										
			(Fan belt : ISUZU 892224 9990)										
	37438 07500		Filter (Eng. oil)	1		(ISUZU 894456 7412)							
62	43534 04000		Ring connector (Nipple)	1									
63	03407 16020		Gasket	2									
64	43532 07001		Nipple (Bolt)	1									
65	03735 13004		Valve	1									
66	37170 20100		Joint	1									
	02201 06016		Flange bolt	2									
67	03620 41004		Plug	1									
68	03580 19050		Hose	1									
69	03511 20035		Hose clip	2									
70	37170 02900		Joint	1									
71	52728 15710		Cushion rubber	1									
42 - 00 EXHAUST GROUP													
101	42100 78800		Exhaust muffler	1									
	02201 08020		Flange bolt	4									
102	42310 92800		Pipe, exhaust	1									
	02915 01008		Hexagon flange nut	4		(for engine)							
	02135 10030		Bolt	2		(for muffler)							
	02912 04010		Nut	2		(for muffler)							
	03115 06010		Spring washer	2		(for muffler)							
	03116 15010		Plain washer	2		(for muffler)							
103	42324 11200		Gasket	1									
104	42324 13200		Gasket	1									
105	42240 28900		Bracket	1									
	02201 06016		Flange bolt	2									
106	03830 08003		U-bolt	1									
	02915 00008		Hexagon flange nut	2									



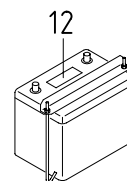
6
SWITCH BOARD



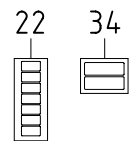
FAN SHROUD



OUTPUT TERMINAL

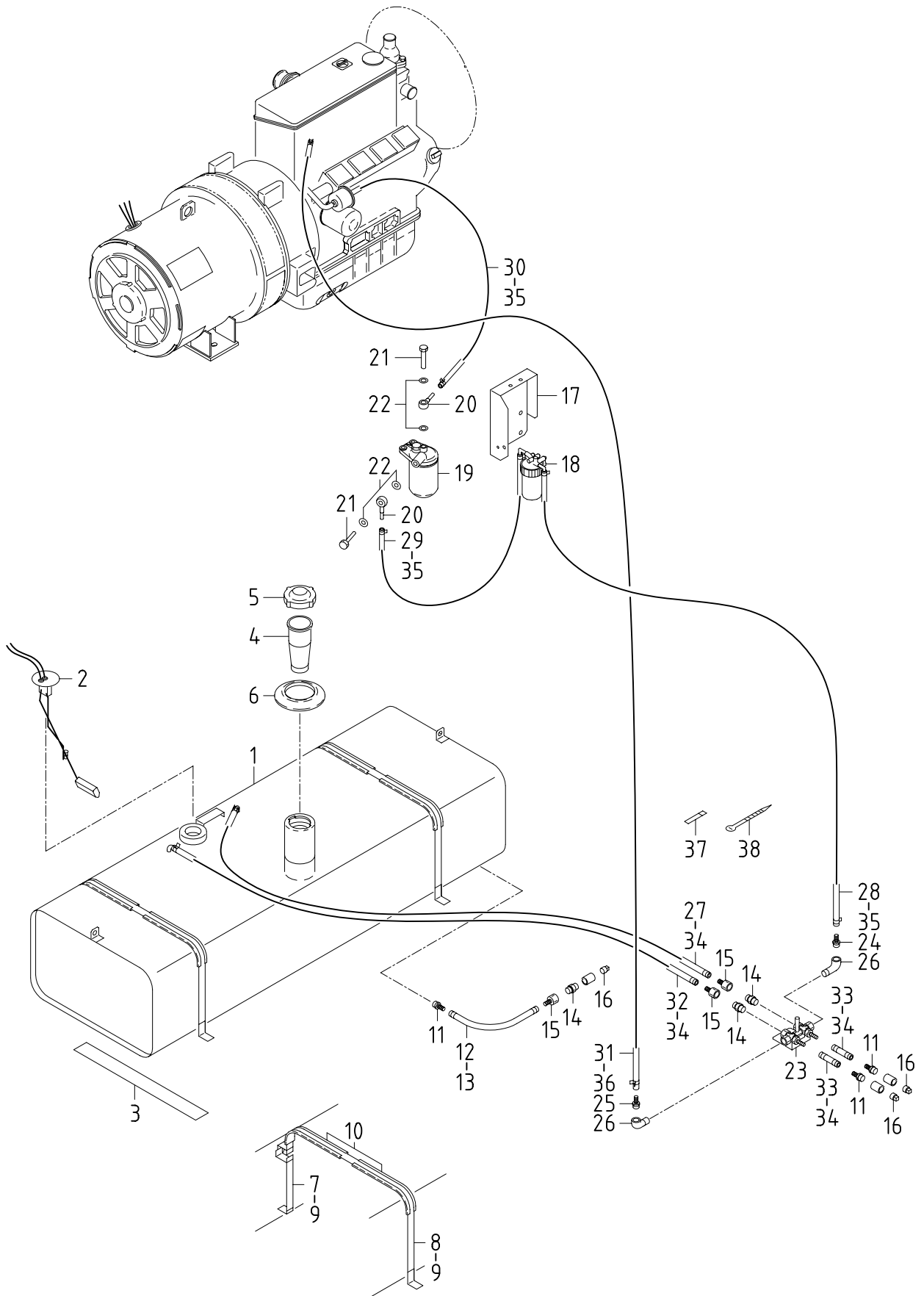


BATTERY



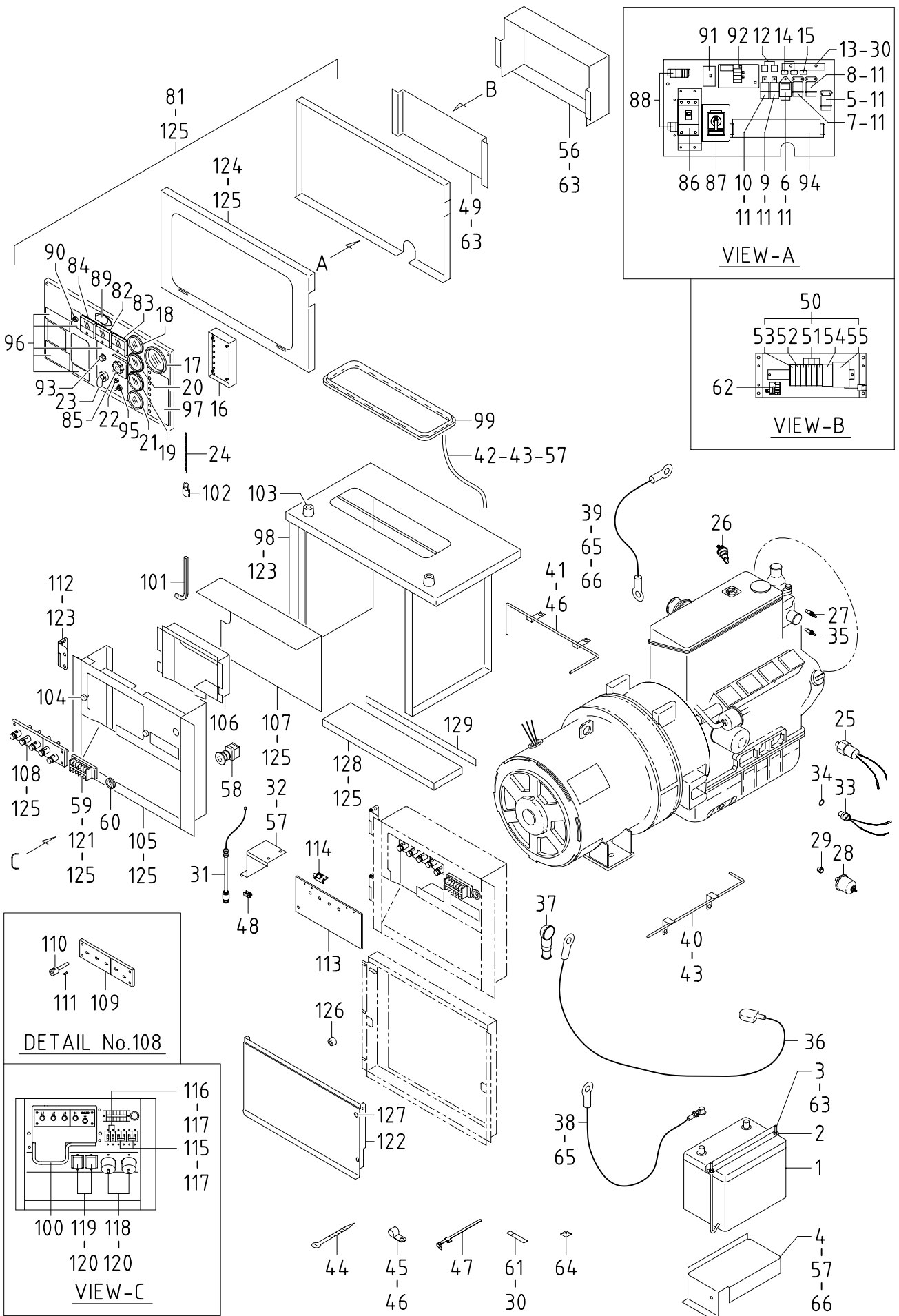
39 - 00 NAME PLATE

Ref. NO.	Part NO.	Inter- change ability	Part Name	Q' ty	C/H	Remarks	Ref. NO.	Part NO.	Inter- change ability	Part Name	Q' ty	C/H	Remarks
39 - 00 ACCESSORY GROUP													
	39600 91520		Instruction book										
	39615 06500		Instruction book (Eng.)										
	39616 04400		Parts catalog (Eng.)										
1	39103 46801		Plate (SER. NO.)	1									
	03260 03010		Blind rivet	4									
2	39178 80820	C	Plate (DELTA DEMAND)	2	M190								
2-1	39178 80820	D	Plate (DELTA DEMAND)	2	M204								
3	39178 57520	C	Plate (25)	2	M190	(big)							
3-1	39178 57520	D	Plate (25)	2	M204	(big)							
4	39178 57620	C	Plate (25)	1	M190	(small)							
4-1	39178 57620	D	Plate (25)	1	M204	(small)							
5	39178 57720	C	Plate (MMD)	3	M190								
5-1	39178 57720	D	Plate (MMD)	3	M216								
6	39178 61700		Plate (start-stop)	1									
7	39178 58720		Plate (Power Pro)	2		(big)							
7-1	39178 64520	B	Plate (AIRMAN)	2	M190								
7-2	39178 58720	B	Plate (Power Pro)	2	M204	(big)							
8	39178 54820		Plate (Power Pro)	1		(small)							
8-1	39178 20330	B	Plate (SDG25)	1	M190								
8-2	39178 54820	B	Plate (Power Pro)	1	M204	(small)							
9	39178 53620	C	Plate (QUIETECH)	2	M190								
9-1	39178 53620	D	Plate (QUIETECH)	2	M204								
10	39178 47610		Plate (emergency sw.)	1									
11	39178 43110		Plate (california)	1									
12	39176 50000		Plate (warning, battery)	2									
13	39178 00310		Plate (LLC)	1									
14	39176 62900		Plate (warning, electric shock)	1									
15	39176 73500		Plate (warning, cooling fan)	1									
16	39176 73800		Plate (warning, pulley)	1									
17	39176 69600		Plate (caution, radiator cap)	1									
18	39176 69500		Plate (caution, high temp.)	1									
19	39176 73300		Plate (warning, exhaust gases)	1									
20	39176 69300		Plate (lift position)	1									
21	39178 49120		Plate (changed fuel refill)	1									
22	39173 03300		Plate, complete	1		Const. No. 23~28							
23	39189 21300	Z	Plate (fuel drain)	1									
24	39189 21400	Z	Plate (radiator drain)	1									
25	39189 21500	Z	Plate (eng. oil drain)	1									
26	39178 90520	Z	Plate (fuel inlet)	1									
27	39178 90620	Z	Plate (fuel return)	1									
28	39189 21100	Z	Plate (containment drain)	1									
29	39178 22030		Plate (deasel fuel)	1									
30	39178 58020		Plate (socket)	1									
31	39152 23401		Plate (wiring chart)	1									
32	39176 88300		Plate (output)	1									
33	39176 62400		Plate (danger, high voltage)	1									
34	39173 02000		Plate, complete	1		Const. No. 35~36							
35	39176 85800	Z	Plate (terminal in)	1									
36	39176 85900	Z	Plate (terminal in)	1									
37	39178 87110		Plate (breaker)	1									
38	39170 02000	D	Mark (AIRMAN)	1	M190								
38-1	39170 02000	C	Mark (AIRMAN)	1	M204								
39	39178 20330	D	Plate (SDG25)	2	M190								
39-1	39178 20330	C	Plate (SDG25)	2	M204								
40	39178 29220	D	Plate (EQ)	2	M190								
40-1	39178 29220	C	Plate (EQ)	2	M204								



43 - 00 FUEL LINE

Ref. NO.	Part NO.	Inter-change ability	Part Name	Q' ty	C/H	Remarks	Ref. NO.	Part NO.	Inter-change ability	Part Name	Q' ty	C/H	Remarks
43 - 00 FUEL GROUP													
1	43100 67601		Fuel tank	1									
2	36159 04200		Sending unit	1									
	02415 65012		Screw, w/w	5									
3	38465 13200		Cushion rubber	2									
4	43210 01301		Strainer	1									
5	43220 01300		Cap	1									
6	43440 04600		Cover	1									
7	43310 27800		Belt	2									
	02138 10070		Bolt	2									
	03115 02010		Spring washer	2									
	03116 12010		Plain washer	4									
8	43310 27100		Belt	2									
9	02915 00008		Hexagon flange nut	4									
10	43322 06700		Cushion rubber	4									
11	37170 12700		Joint	3									
12	03570 09021		Hose	1									
13	03511 10018		Hose clip	2									
14	03734 43030		Nipple	3									
14-1	03734 43030	Q	Nipple	2	M192								
15	37170 20200		Joint	3									
16	03620 41003		Plug	3									
17	43340 30700		Bracket	1									
	02201 10020		Flange bolt	2									
18	43550 01800		Sedimenter	1									
	(Element: ISUZU 864360 2540)												
	(O-ring : ISUZU 894155 1830)												
	02201 08070		Flange bolt	1									
19	43540 05900		Fuel filter	1									
	43541 00200		Element	1		(ISUZU 894394 0792)							
	02201 08030		Flange bolt	2									
20	43534 01500		Ring connector	2									
21	43456 00700		Bolt	2									
22	43590 00600		Gasket	4									
23	35483 10101		Stop valve	1									
	02201 06016		Flange bolt	2									
24	37170 13700		Joint	1									
25	37170 12200		Joint	1									
26	03731 21003		Elbow	2									
27	03600 09039		Hose	1									
28	03600 08027		Hose	1									
29	03600 08052		Hose	1									
30	03600 08047		Hose	1									
	44463 17400		Tube	1									
31	03570 06077		Hose	1									
32	03600 09025		Hose	1									
33	03600 09007		Hose	2									
34	03511 40020		Hose clip	8									
35	03511 40016		Hose clip	6									
36	03511 10016		Hose clip	2									
37	37181 03600		Clip	2									
38	03425 00001		Vinyl clip	10									

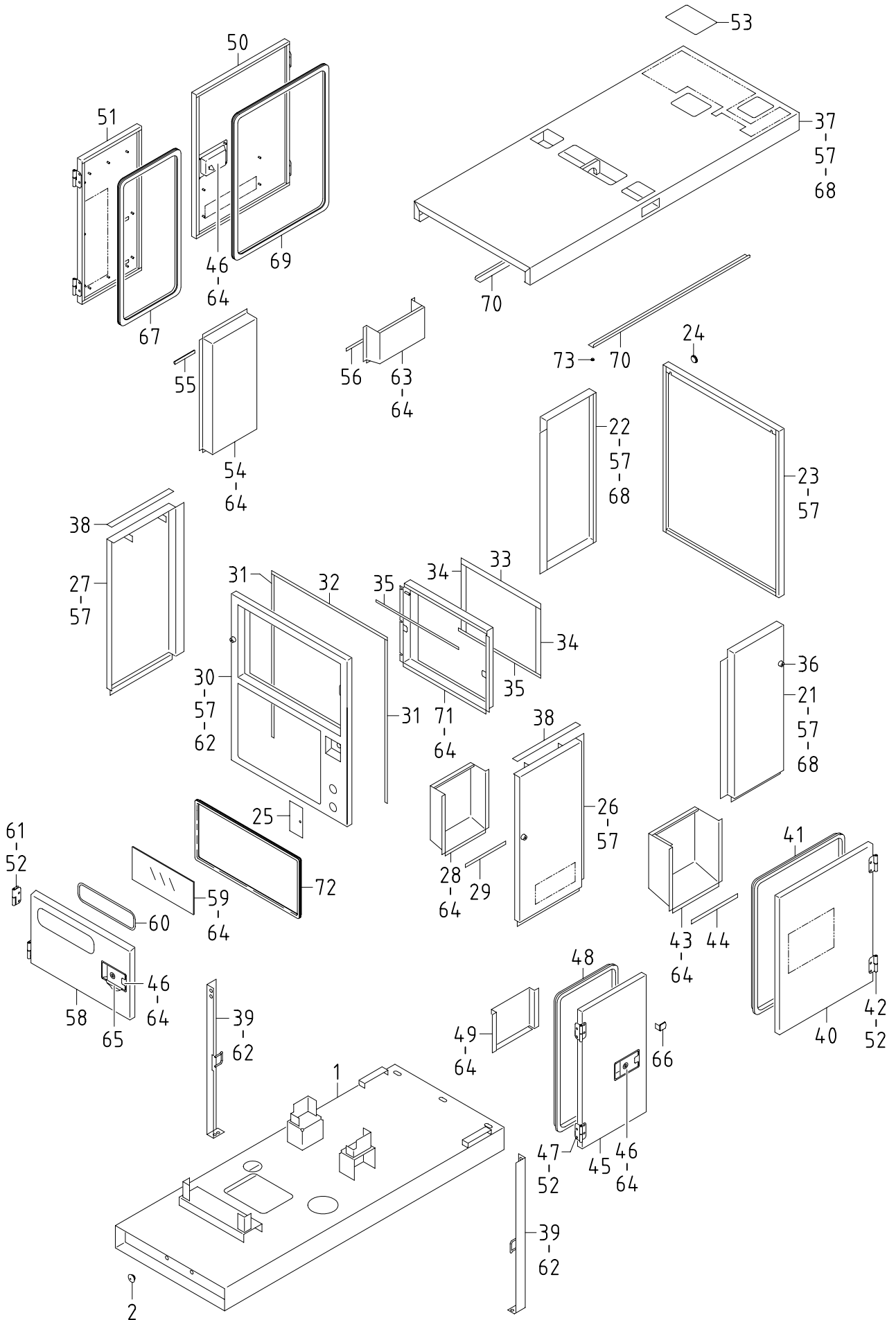


44 - 00 ELECTRIC

Ref. NO.	Part NO.	Inter-change ability	Part Name	Q'ty	C/H	Remarks	Ref. NO.	Part NO.	Inter-change ability	Part Name	Q'ty	C/H	Remarks
44 - 00 ELECTRIC GROUP													
1	44210 06600		Battery	1		(80D26R)	59	44311 65600		Terminal plate	1		
2	44220 23300		Cover	1				02345 24020		Screw	2		
3	44243 04501		Holder	2				03115 03004		Spring washer	2		
4	44100 09100		Battery box	1				03116 18004		Plain washer	2		
5	44346 13200		Relay	1		(charge)	60	03403 00252		Grommet	1		
6	44327 06200		Time relay	1			61	03424 80101		Clip	1		
7	44346 08700		Relay	1		(glow)	62	46640 16800		Wiring board	1		
8	44346 08700		Relay	1		(starter)		02345 63008		Screw	3		
9	44346 08500		Relay	1		(solenoid)		02912 08003		Nut	3		
10	44346 08500		Relay	1		(safety)		03116 12003		Plain washer	3		
11	02415 66016		Screw, w/w	9			63	02915 00006		Hexagon flange nut	10		
12	46921 04300		Silicon rectifier	2			64	44243 05500		Holder	2		
	02345 63020		Screw	2			65	02138 10016		Bolt	2		
	03115 02003		Spring washer	2				03115 02010		Spring washer	2		
	03116 12003		Plain washer	2				03116 12010		Plain washer	2		
13	44250 14710		Bracket	1			66	02201 08020		Flange bolt	3		(for frame)
14	44470 01600		Fuse box	2									
	46934 03200		Fuse	2		(10A)							
15	44470 01700		Fuse box	1				46 - 00		ELECTRIC GROUP			
	46934 03300		Fuse	1		(20A)							
16	46870 43100		Controller	1		(Emergency)	81	46900 89100		Switch board ass'y	1		Const. No. 82~97
17	36146 05901		Tachometer	1				52640 02800		Bolt	2		(for cover)
18	36158 00500		Gauge, fuel	1				02138 06030		Bolt	2		(for cover)
19	36143 03600		Gauge, oil press.	1				02915 00006		Hexagon flange nut	2		(for cover)
20	36145 06500		Thermometer, water	1				45214 01400		Washer	2		(for cover)
21	46154 15300		Ammeter	1			82	46153 03100		Voltmeter (AC)	1		
22	46161 13300		Pilot lamp	1			83	46154 12800		Ammeter (AC)	1		
23	44322 07200		Starter switch	1		(ISUZU 897044 4180)	84	46911 01200		Frequency meter	1		
	52739 00600		Key	2			85	46913 01400		Transfer device	1		
24	52660 04700		Hook	1			86	46120 30700		Circuit breaker	1		
	03260 03010		Blind rivet	1			87	46917 00800		Change device, voltage	1		
25	44328 06700		Pressure switch	1				46923 04700		Current transformer	2		
26	44334 16400		Thermo switch	1			88	46929 01200		Illuminator	1		
27	44334 14800		Thermo switch	1			89	46939 01300		Bulb (12V, 3W)	1		
28	44365 00300		Oil pressure sender	1				46167 02400		Select switch	1		
29	03732 00201		Bush	1			90	46928 01500		Thermal relay	1		
30	02248 06016		Bolt, w/w	3			91	46921 02500		Silicon rectifier	1		
31	46813 08100		Level switch	1				46950 02600		A. V. R ass'y	1		
32	43350 02100		Bracket	1			92	46918 01400		Controller	1		
33	44381 03000		Tacho sensor	1				46991 00100		Knob	1		
34	44383 03200		Gasket	2			94	44311 62700		Terminal plate	1		
35	44364 04900		Thermo sensor	1				46311 02200		Plate	1		
36	07835 25130		Cable	1		(batt. ~starter)		46167 02500		Select switch	1		
	44462 05500		Insulator	1		(red)	95	39178 88820		Plate (caution, switch)	1		
	44463 12300		Tube	1			96	39178 88920		Plate (warning, electric)	1		
	02915 00008		Hexagon flange nut	1			97	52350 32421		Cover	1		
37	44462 01900		Insulator	1			98	03407 64742		Seal rubber	1		
38	07838 51035		Cable	1		(batt. ~Eng. earth)	99	03407 66508		Seal rubber	1		
	44462 05600		Insulator	1		(black)	100	03407 66511		Seal rubber	2		
39	05068 23030		Cable	1		(earth)	101	52723 00100		Lock ass'y	1		(w. key)
40	44290 35100		Guide	1			102	31131 04600		Rubber, cushion	2		
41	44290 35202		Guide	1			103	02345 64025		Screw	2		
42	44490 53830		Wiring harness	1				03115 02004		Spring washer	2		
	02345 64012		Screw	1		(for grow)		03116 12004		Plain washer	2		
	03115 02004		Spring washer	1		(for grow)							
43	02201 08012		Flange bolt	3			104	GE240 01100		Rubber cushion	2		
44	03425 00001		Vinyl clip	3			105	46470 69201		Box	1		
45	37181 05000		Clip	1			106	46480 39901		Cover	1		
46	02201 10020		Flange bolt	3				02401 26016		Screw	4		
47	37181 03600		Clip	4			107	44260 29100		Cover	1		
48	37181 03300		Clip	1			108	44311 55200		Terminal plate	1		Const. No. 109~111
49	44250 16811		Bracket	1			109	46305 07500		Plate	1		
50	46760 31311		Control panel	1		Const. No. 51~55	110	46312 04500		Bolt	5		
	02345 65016		Screw	2				46312 04400		Bolt	5		
	03115 02005		Spring washer	2				35211 00500		Nut	10		
	03116 12005		Plain washer	2				35210 00600		Spring washer	15		
51	46177 08300		Relay	4				46309 01100		Plain washer	20		
52	46177 08400		Relay	1			111	51521 00700		Pin	5		
53	46177 08500		Relay	1			112	52480 13800		Hinge	2		
54	46872 01300		Dc power supply	1				02915 00008		Hexagon flange nut	8		
55	46879 45100		Controller complete	1			113	52416 24801		Window glass	1		
56	46480 40001		Cover	1				52640 02300		Bolt	1		
57	02201 06016		Flange bolt	4				45214 01200		Washer	1		
58	44336 03001		Button switch	1									

44 - 00 ELECTRIC

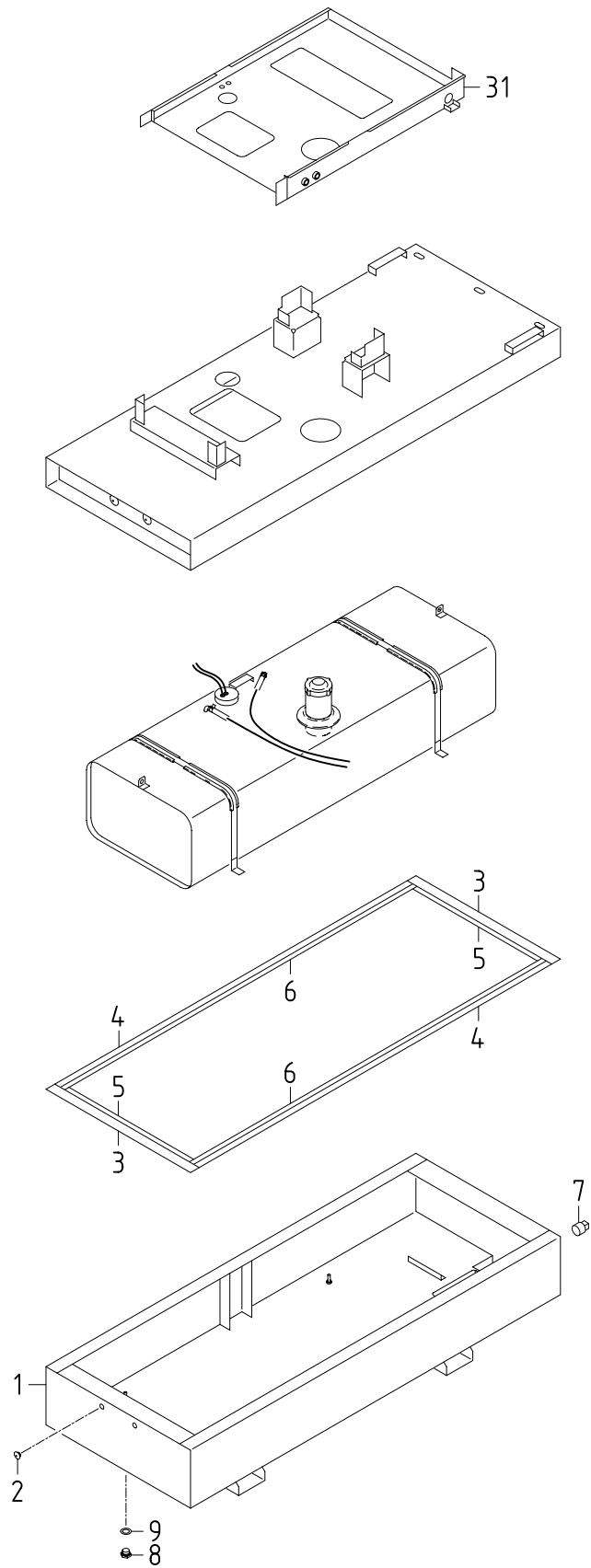
Ref. NO.	Part NO.	Inter-change ability	Part Name	Q' ty	C/H	Remarks	Ref. NO.	Part NO.	Inter-change ability	Part Name	Q' ty	C/H	Remarks
114	52480 14300		Hinge	2									
	02401 24012		Screw	8									
	02915 00004		Hexagon flange nut	8									
115	46120 26900		Circuit breaker	2		(2P 50A)							
116	46120 26800		Circuit breaker	2		(1P 20A)							
117	02345 23008		Screw	12									
	03115 03003		Spring washer	12									
	03116 18003		Plain washer	12									
118	44312 02800		Socket	2		(125/250V, 50A)							
119	44312 02900		Socket	2		(125V, 20A)							
120	02345 24020		Screw	8									
	02912 09004		Nut	8									
	03115 03004		Spring washer	8									
	03116 18004		Plain washer	16									
121	44550 17000		Cable kit	1									
122	52400 85510		Side cover	1									
	02136 08025		Bolt	1									
	GH245 00600		Washer	8									
	03116 12008		Plain washer	4									
	02912 08008		Nut	4									
	52640 02800		Bolt	1		(knob)							
	02136 06025		Bolt	1		(knob)							
	02914 60006		Locking nut	1		(knob)							
	03116 15006		Plain washer	1		(knob)							
123	02201 08020		Flange bolt	8									
124	36120 12501		Plate	1									
125	02201 06016		Flange bolt	22									
125 -1	02201 06016	Q	Flange bolt	26		M 1							
126	31131 04100		Rubber, vibration isolator	1									
127	03403 10010		Grommet	1									
128	52350 55520	D	Cover	1		M 1							
129	03407 45046	D	Seal rubber	1		M 1							



51 - 00 FRAME & BONNET

Ref. NO.	Part NO.	Inter-change ability	Part Name	Q' ty	C/H	Remarks	Ref. NO.	Part NO.	Inter-change ability	Part Name	Q' ty	C/H	Remarks
51 - 00 FRAME GROUP													
1	51100 04841		Frame	1									
2	03403 10017		Grommet	4									
52 - 00 BONNET GROUP													
21	52100 58120		Cover	1									
22	52100 58220		Cover	1									
23	52830 39200		Cover	1									
24	52746 02100		Cap	2									
25	52350 41920		Cover	1									
	02401 45016		Screw	4									
	02915 00005		Hexagon flange nut	4									
26	52100 57921		Cover	1									
27	52100 58021		Cover	1									
28	52800 00110		Duct	1									
29	03407 66832		Seal rubber	1									
30	52100 58321		Cover	1									
	02246 08050		Bolt, w/w	2									
31	03407 66804		Seal rubber	2									
32	03407 66841		Seal rubber	1									
33	03407 67034		Seal rubber	1									
34	03407 67038		Seal rubber	2									
35	03407 66857		Seal rubber	2									
36	31131 04100		Rubber, vibration isolator	5									
37	52300 98211		Top cover	1									
38	52728 10410		Cushion rubber	2									
39	52160 35000		Bracket	2									
	02135 12030		Bolt	8									
	03115 02012		Spring washer	8									
	03116 12012		Plain washer	8									
40	52450 92720		Door	1									
41	03407 64773		Seal rubber	1									
42	52480 13800		Hinge	4									
43	52800 99801		Duct	1									
44	03407 66827		Seal rubber	1									
45	52450 92820		Door	1									
46	52710 03601		Latch ass'y	3									
	52739 03700		Key	3		(R200)							
47	52480 14400		Hinge	4									
48	03407 64725		Seal rubber	1									
49	39200 05201		Tool box	1									
50	52450 92920		Door	1									
51	52450 93020		Door	1									
52	02136 08016		Bolt	40									
53	52350 89010		Cover	1									
	02246 08025		Bolt	2									
54	52800 03110		Duct	1									
55	03407 66868		Seal rubber	1									
56	03407 66849		Seal rubber	1									
57	02201 08020		Flange bolt	23									
58	52450 93220		Door	1									
59	52416 20101		Window glass	1									
60	03407 67607		Seal rubber	1									
61	52480 13800		Hinge	2									
62	02201 06016		Flange bolt	6									
63	52800 03010		Duct	1									
64	02915 00006		Hexagon flange nut	54									
65	52728 14810		Cushion rubber	1									
66	52160 34600		Bracket	2									
	02401 24012		Screw	4									
	52746 01900		Cap	2		(protector)							
67	03407 64735		Seal rubber	1									
68	02201 06016		Flange bolt	10									
69	03407 64740		Seal rubber	1									
70	52160 36301		Bracket	2									
	52640 05100		Bolt	10									
71	52160 34900		Bracket	1									
72	03407 64708		Seal rubber	1									
73	03403 10010		Grommet	4									

51 - 01 OIL FENCE

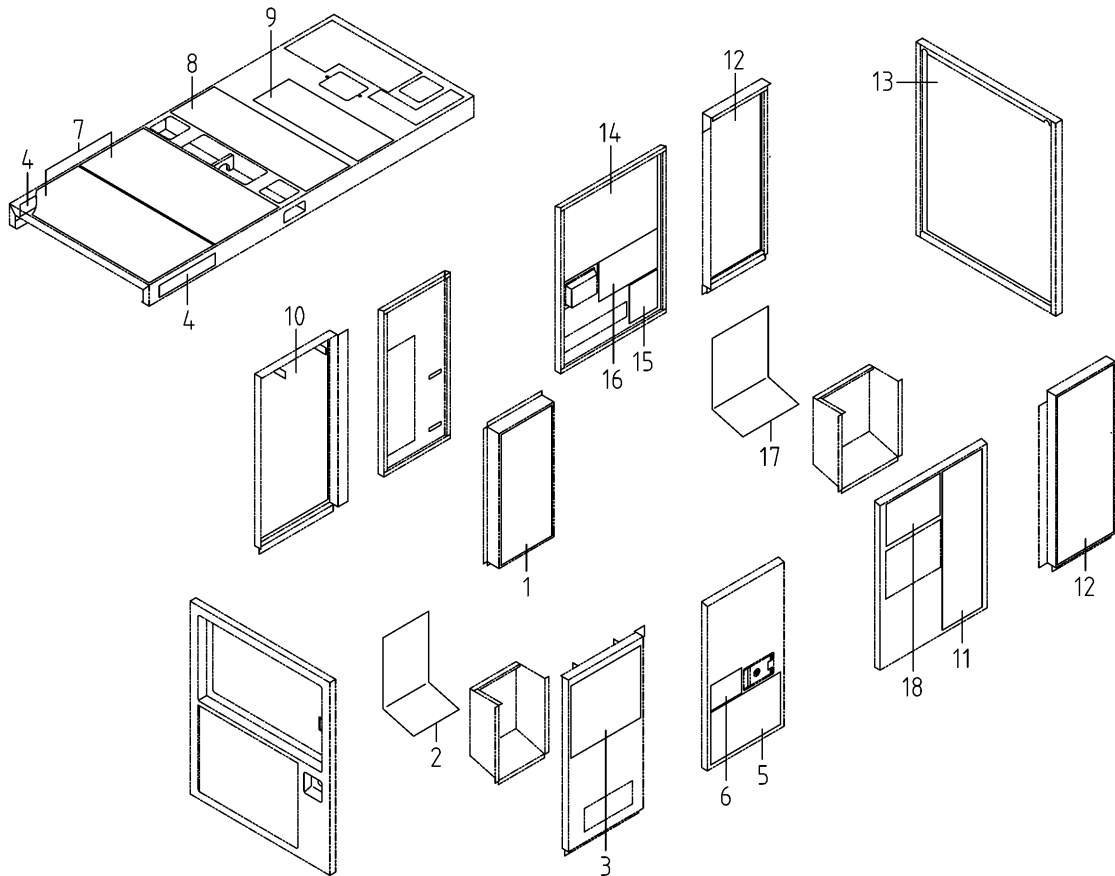


51 - 01 OIL FENCE

Ref. NO.	Part NO.	Inter-change ability	Part Name	Q' ty	C/H	Remarks	Ref. NO.	Part NO.	Inter-change ability	Part Name	Q' ty	C/H	Remarks
	51 - 01		FRAME GROUP										
1	51100 04542		Frame	1									
	02473 12025		Stud bolt	4									
	02914 20012		Cap nut	4									
	52744 01400		Washer	4									
	03115 02012		Spring washer	4									
	03116 12012		Plain washer	4									
2	03403 10017		Grommet	2									
3	52728 19210		Cushion rubber	2									
4	38465 16900		Cushion rubber	2									
5	52728 11610		Cushion rubber	2									
6	52728 22910		Cushion rubber	2									
7	03620 41008		Plug	1									
8	03620 20022		Plug	1									
9	03407 20122		Gasket	1									
	52 - 01		BONNET GROUP										
31	52160 35201		Bracket	1									
	02201 06016		Flange bolt	13									

52 - 00 LINING

Ref. NO.	Part NO.	Inter-changeability	Part Name	Q'ty	C/H	Remarks	Ref. NO.	Part NO.	Inter-changeability	Part Name	Q'ty	C/H	Remarks
	52900 79010		URETHANE FOAM KIT										
1	52988 43000		Lining	1									
2	52959 37940		Lining	1									
3	52959 95220		Lining	1									
4	52959 26140		Lining	2									
5	52988 43500		Lining	1									
6	52988 43600		Lining	1									
7	52959 38650		Lining	2									
8	52959 33550		Lining	1									
9	52959 96230		Lining	1									
10	52959 17850		Lining	1									
11	52988 17300		Lining	1									
12	52919 25810		Lining	2									
13	52919 39710		Lining	1									
14	52926 04800		Lining	1									
15	52988 43700		Lining	1									
16	52988 43800		Lining	1									
17	52988 17200		Lining	1									
18	52988 19500		Lining	1									



I N D E X

PART NO.	PAGE	REF. NO.	PART NO.	PAGE	REF. NO.	PART NO.	PAGE	REF. NO.
02135 08030	20 - 2	1	02401 26016	44 - 2	106	03116 12010	44 - 2	65
02135 10030	38 - 2	102	02401 45016	51 - 2	25	03116 12012	20 - 2	21
02135 12030	51 - 2	39	02415 65012	43 - 2	2	03116 12012	51 - 2	39
02136 06025	44 - 3	122	02415 66016	44 - 2	11	03116 12012	51 - 4	1
02136 08016	51 - 2	52	02473 12025	51 - 4	1	03116 15006	44 - 3	122
02136 08025	44 - 3	122	02912 04010	38 - 2	102	03116 15010	38 - 2	102
02138 06030	44 - 2	81	02912 08003	44 - 2	62	03116 18003	44 - 3	117
02138 06035	20 - 2	7	02912 08006	20 - 2	6	03116 18004	44 - 2	59
02138 08040	20 - 2	9	02912 08008	44 - 3	122	03116 18004	44 - 3	120
02138 10016	44 - 2	65	02912 09004	44 - 3	120	03260 03010	39 - 2	1
02138 10070	43 - 2	7	02914 20012	51 - 4	1	03260 03010	44 - 2	24
02201 06016	38 - 2	26	02914 60006	44 - 3	122	03403 00252	44 - 2	60
02201 06016	38 - 2	66	02915 00004	44 - 3	114	03403 00512	38 - 2	12
02201 06016	38 - 2	105	02915 00005	51 - 2	25	03403 10010	44 - 3	127
02201 06016	43 - 2	23	02915 00006	38 - 2	16	03403 10010	51 - 2	73
02201 06016	44 - 2	57	02915 00006	44 - 2	63	03403 10017	51 - 2	2
02201 06016	44 - 3	125	02915 00006	44 - 2	81	03403 10017	51 - 4	2
02201 06016	44 - 3	125-1	02915 00006	51 - 2	64	03407 16020	38 - 2	63
02201 06016	51 - 2	62	02915 00008	38 - 2	106	03407 20122	51 - 4	9
02201 06016	51 - 2	68	02915 00008	43 - 2	9	03407 45046	44 - 3	129
02201 06016	51 - 4	31	02915 00008	44 - 2	36	03407 64605	38 - 2	22
02201 08012	20 - 2	41	02915 00008	44 - 2	112	03407 64708	51 - 2	72
02201 08012	38 - 2	8	02915 01008	38 - 2	102	03407 64725	51 - 2	48
02201 08012	44 - 2	43	02915 20012	20 - 2	21	03407 64735	51 - 2	67
02201 08020	20 - 2	46	03115 02003	20 - 2	5	03407 64740	51 - 2	69
02201 08020	38 - 2	101	03115 02003	44 - 2	12	03407 64742	44 - 2	99
02201 08020	44 - 2	66	03115 02004	44 - 2	42	03407 64773	51 - 2	41
02201 08020	44 - 3	123	03115 02004	44 - 2	103	03407 66508	44 - 2	100
02201 08020	51 - 2	57	03115 02005	44 - 2	50	03407 66511	44 - 2	101
02201 08030	43 - 2	19	03115 02006	20 - 2	6	03407 66804	51 - 2	31
02201 08070	43 - 2	18	03115 02006	20 - 2	7	03407 66827	51 - 2	44
02201 10020	20 - 2	25	03115 02008	20 - 2	1	03407 66832	51 - 2	29
02201 10020	43 - 2	17	03115 02008	20 - 2	9	03407 66841	51 - 2	32
02201 10020	44 - 2	46	03115 02010	43 - 2	7	03407 66849	51 - 2	56
02238 10025	20 - 2	1	03115 02010	44 - 2	65	03407 66857	51 - 2	35
02246 08025	51 - 2	53	03115 02012	51 - 2	39	03407 66868	51 - 2	55
02246 08050	51 - 2	30	03115 02012	51 - 4	1	03407 66919	38 - 2	21
02248 06016	44 - 2	30	03115 03003	44 - 3	117	03407 66929	38 - 2	19
02248 06025	20 - 2	8	03115 03004	44 - 2	59	03407 66948	38 - 2	25
02345 23008	44 - 3	117	03115 03004	44 - 3	120	03407 67034	51 - 2	33
02345 24020	44 - 2	59	03115 06010	38 - 2	102	03407 67038	51 - 2	34
02345 24020	44 - 3	120	03116 12003	20 - 2	5	03407 67416	38 - 2	20
02345 63008	44 - 2	62	03116 12003	44 - 2	12	03407 67607	51 - 2	60
02345 63012	20 - 2	5	03116 12003	44 - 2	62	03424 80101	38 - 2	18
02345 63020	44 - 2	12	03116 12004	44 - 2	103	03424 80101	44 - 2	61
02345 64012	44 - 2	42	03116 12005	44 - 2	50	03424 80214	38 - 2	8
02345 64025	44 - 2	103	03116 12006	20 - 2	6	03425 00001	43 - 2	38
02345 65016	44 - 2	50	03116 12006	20 - 2	7	03425 00001	44 - 2	44
02401 24012	44 - 3	114	03116 12008	44 - 3	122	03511 10016	43 - 2	36
02401 24012	51 - 2	66	03116 12010	43 - 2	7	03511 10018	43 - 2	13

I N D E X

PART NO.	PAGE	REF. NO.	PART NO.	PAGE	REF. NO.	PART NO.	PAGE	REF. NO.
03511 20035	38 - 2	69	32151 01400	20 - 2	44	39176 69500	39 - 2	18
03511 20045	38 - 2	7	32240 36801	20 - 2	46	39176 69600	39 - 2	17
03511 20070	20 - 2	49	32331 64300	20 - 2	47	39176 73300	39 - 2	19
03511 40016	38 - 2	11	32331 70600	20 - 2	48	39176 73500	39 - 2	15
03511 40016	43 - 2	35	35210 00600	44 - 2	110	39176 73800	39 - 2	16
03511 40020	43 - 2	34	35211 00500	44 - 2	110	39176 85800	39 - 2	35
03570 06077	43 - 2	31	35483 10101	43 - 2	23	39176 85900	39 - 2	36
03570 09021	43 - 2	12	36120 12501	44 - 3	124	39176 88300	39 - 2	32
03580 19050	38 - 2	68	36135 01900	20 - 2	12	39178 00310	39 - 2	13
03600 08027	43 - 2	28	36143 03600	44 - 2	19	39178 20330	39 - 2	8-1
03600 08047	43 - 2	30	36145 06500	44 - 2	20	39178 20330	39 - 2	39
03600 08052	43 - 2	29	36146 05901	44 - 2	17	39178 20330	39 - 2	39-1
03600 09007	43 - 2	33	36158 00500	44 - 2	18	39178 22030	39 - 2	29
03600 09025	43 - 2	32	36159 04200	43 - 2	2	39178 29220	39 - 2	40
03600 09039	43 - 2	27	37170 02900	38 - 2	70	39178 29220	39 - 2	40-1
03620 20022	51 - 4	8	37170 12200	43 - 2	25	39178 43110	39 - 2	11
03620 41003	43 - 2	16	37170 12700	43 - 2	11	39178 47610	39 - 2	10
03620 41004	38 - 2	67	37170 13700	43 - 2	24	39178 49120	39 - 2	21
03620 41008	51 - 4	7	37170 20100	38 - 2	66	39178 53620	39 - 2	9
03731 21003	43 - 2	26	37170 20200	43 - 2	15	39178 53620	39 - 2	9-1
03732 00201	44 - 2	29	37181 03300	44 - 2	48	39178 54820	39 - 2	8
03734 43030	43 - 2	14	37181 03600	43 - 2	37	39178 54820	39 - 2	8-2
03734 43030	43 - 2	14-1	37181 03600	44 - 2	47	39178 57520	39 - 2	3
03735 13004	38 - 2	65	37181 05000	44 - 2	45	39178 57520	39 - 2	3-1
03830 08003	38 - 2	106	37438 07500	38 - 2	61	39178 57620	39 - 2	4
05068 23030	44 - 2	39	38100 42800	38 - 2	1	39178 57620	39 - 2	4-1
07835 25130	44 - 2	36	38410 05700	38 - 2	1	39178 57720	39 - 2	5
07838 51035	44 - 2	38	38420 80201	38 - 2	4	39178 57720	39 - 2	5-1
20003 59900	20 - 2	1	38420 92700	38 - 2	13	39178 58020	39 - 2	30
21472 15700	20 - 2	10	38440 98101	38 - 2	14	39178 58720	39 - 2	7
25100 09300	20 - 2	2	38440 98201	38 - 2	15	39178 58720	39 - 2	7-2
25200 11200	20 - 2	11	38450 74701	38 - 2	17	39178 61700	39 - 2	6
25310 09600	20 - 2	9	38465 13200	43 - 2	3	39178 64520	39 - 2	7-1
25360 07300	20 - 2	8	38465 16900	51 - 4	4	39178 80820	39 - 2	2
25641 01800	20 - 2	4	38469 01400	38 - 2	1	39178 80820	39 - 2	2-1
25650 01800	20 - 2	3	38524 62300	38 - 2	5	39178 87110	39 - 2	37
25660 02200	20 - 2	6	38524 66300	38 - 2	6	39178 88820	44 - 2	96
25700 07800	20 - 2	7	38590 01300	38 - 2	24	39178 88920	44 - 2	97
31110 94301	20 - 2	23	38594 02300	38 - 2	9	39178 90520	39 - 2	26
31110 94401	20 - 2	24	38594 05800	38 - 2	10	39178 90620	39 - 2	27
31120 08900	20 - 2	22	39103 46801	39 - 2	1	39189 21100	39 - 2	28
31130 06500	20 - 2	21	39152 23401	39 - 2	31	39189 21300	39 - 2	23
31131 04100	44 - 3	126	39170 02000	39 - 2	38	39189 21400	39 - 2	24
31131 04100	51 - 2	36	39170 02000	39 - 2	38-1	39189 21500	39 - 2	25
31131 04600	44 - 2	103	39173 02000	39 - 2	34	39200 05201	51 - 2	49
31131 04900	38 - 2	2	39173 03300	39 - 2	22	42100 78800	38 - 2	101
32100 40500	20 - 2	41	39176 50000	39 - 2	12	42240 28900	38 - 2	105
32142 11000	20 - 2	43	39176 62400	39 - 2	33	42310 92800	38 - 2	102
32143 11500	20 - 2	42	39176 62900	39 - 2	14	42324 11200	38 - 2	103
32148 03000	20 - 2	45	39176 69300	39 - 2	20	42324 13200	38 - 2	104
						43100 67601	43 - 2	1

I N D E X

PART NO.	PAGE	REF. NO.	PART NO.	PAGE	REF. NO.	PART NO.	PAGE	REF. NO.			
43210	01301	43 - 2	4	44463	17400	43 - 2	30	51100	04841	51 - 2	1
43220	01300	43 - 2	5	44470	01600	44 - 2	14	51521	00700	44 - 2	111
43310	27100	43 - 2	8	44470	01700	44 - 2	15	52100	57921	51 - 2	26
43310	27800	43 - 2	7	44490	53830	44 - 2	42	52100	58021	51 - 2	27
43322	06700	43 - 2	10	44550	17000	44 - 3	121	52100	58120	51 - 2	21
43340	30700	43 - 2	17	45214	01200	44 - 2	113	52100	58220	51 - 2	22
43350	02100	44 - 2	32	45214	01400	44 - 2	81	52100	58321	51 - 2	30
43440	04600	43 - 2	6	46120	26800	44 - 3	116	52160	34600	51 - 2	66
43456	00700	43 - 2	21	46120	26900	44 - 3	115	52160	34900	51 - 2	71
43532	07001	38 - 2	64	46120	30700	44 - 2	86	52160	35000	51 - 2	39
43534	01500	43 - 2	20	46153	03100	44 - 2	82	52160	35201	51 - 4	31
43534	04000	38 - 2	62	46154	12800	44 - 2	83	52160	36301	51 - 2	70
43540	05900	43 - 2	19	46154	15300	44 - 2	21	52300	98211	51 - 2	37
43541	00200	43 - 2	19	46161	13300	44 - 2	22	52350	32221	38 - 2	3
43550	01800	43 - 2	18	46167	02400	44 - 2	90	52350	32421	44 - 2	98
43590	00600	43 - 2	22	46167	02500	44 - 2	95	52350	41920	51 - 2	25
44100	09100	44 - 2	4	46177	08300	44 - 2	51	52350	55520	44 - 3	128
44210	06600	44 - 2	1	46177	08400	44 - 2	52	52350	89010	51 - 2	53
44220	23300	44 - 2	2	46177	08500	44 - 2	53	52400	85510	44 - 3	122
44243	04501	44 - 2	3	46305	07500	44 - 2	109	52416	20101	51 - 2	59
44243	05500	44 - 2	64	46309	01100	44 - 2	110	52416	24801	44 - 2	113
44250	14710	44 - 2	13	46311	02200	44 - 2	94	52450	92720	51 - 2	40
44250	16811	44 - 2	49	46312	04400	44 - 2	110	52450	92820	51 - 2	45
44260	29100	44 - 2	107	46312	04500	44 - 2	110	52450	92920	51 - 2	50
44290	35100	44 - 2	40	46470	69201	44 - 2	105	52450	93020	51 - 2	51
44290	35202	44 - 2	41	46480	39901	44 - 2	106	52450	93220	51 - 2	58
44311	55200	44 - 2	108	46480	40001	44 - 2	56	52480	13800	44 - 2	112
44311	62700	44 - 2	94	46640	16800	44 - 2	62	52480	13800	51 - 2	42
44311	65600	44 - 2	59	46760	31311	44 - 2	50	52480	13800	51 - 2	61
44312	02800	44 - 3	118	46813	08100	44 - 2	31	52480	14300	44 - 3	114
44312	02900	44 - 3	119	46870	43100	44 - 2	16	52480	14400	51 - 2	47
44322	07200	44 - 2	23	46872	01300	44 - 2	54	52640	02300	44 - 2	113
44327	06200	44 - 2	6	46879	45100	44 - 2	55	52640	02800	44 - 2	81
44328	06700	44 - 2	25	46900	89100	44 - 2	81	52640	02800	44 - 3	122
44334	14800	44 - 2	27	46911	01200	44 - 2	84	52640	05100	51 - 2	70
44334	16400	44 - 2	26	46913	01400	44 - 2	85	52660	04700	44 - 2	24
44336	03001	44 - 2	58	46917	00800	44 - 2	87	52710	03601	51 - 2	46
44346	08500	44 - 2	9	46918	01400	44 - 2	93	52723	00100	44 - 2	102
44346	08500	44 - 2	10	46921	02500	44 - 2	91	52728	10410	51 - 2	38
44346	08700	44 - 2	7	46921	04300	44 - 2	12	52728	11610	51 - 4	5
44346	08700	44 - 2	8	46921	08800	20 - 2	5	52728	14810	51 - 2	65
44346	13200	44 - 2	5	46923	04700	44 - 2	88	52728	15710	38 - 2	71
44364	04900	44 - 2	35	46928	01500	44 - 2	91	52728	19210	51 - 4	3
44365	00300	44 - 2	28	46929	01200	44 - 2	89	52728	22910	51 - 4	6
44381	03000	44 - 2	33	46934	03200	44 - 2	14	52739	00600	44 - 2	23
44383	03200	44 - 2	34	46934	03300	44 - 2	15	52739	03700	51 - 2	46
44462	01900	44 - 2	37	46939	01300	44 - 2	89	52744	01400	51 - 4	1
44462	05500	44 - 2	36	46950	02600	44 - 2	92	52746	01900	51 - 2	66
44462	05600	44 - 2	38	46991	00100	44 - 2	93	52746	02100	51 - 2	24
44463	12300	44 - 2	36	51100	04542	51 - 4	1	52800	00110	51 - 2	28

I N D E X

PART NO.	PAGE	REF. NO.	PART NO.	PAGE	REF. NO.	PART NO.	PAGE	REF. NO.
52800	03010	51 - 2			63			
52800	03110	51 - 2			54			
52800	99801	51 - 2			43			
52830	39200	51 - 2			23			
52919	25810	52 - 1			12			
52919	39710	52 - 1			13			
52926	04800	52 - 1			14			
52959	17850	52 - 1			10			
52959	26140	52 - 1			4			
52959	33550	52 - 1			8			
52959	37940	52 - 1			2			
52959	38650	52 - 1			7			
52959	95220	52 - 1			3			
52959	96230	52 - 1			9			
52988	17200	52 - 1			17			
52988	17300	52 - 1			11			
52988	19500	52 - 1			18			
52988	43000	52 - 1			1			
52988	43500	52 - 1			5			
52988	43600	52 - 1			6			
52988	43700	52 - 1			15			
52988	43800	52 - 1			16			
GE240	01100	44 - 2			104			
GH245	00600	44 - 3			122			

HOKUETSU INDUSTRIES CO., LTD.

8TH FLOOR SHINJUKU SAN-EI BLDG,
22-2 NISHI-SHINJUKU 1-CHOME, SHINJUKU-KU
TOKYO 160-0023 JAPAN
TEL:81-3-3348-7281
FAX:81-3-3348-7289
URL:<http://www.airman.co.jp>

Copyright(C)2008 HOKUETSU INDUSTRIES CO., LTD. All Rights Reserved

0906-04
CAT. NO. 39546 83000



AIRMAN
HOKUETSU INDUSTRIES CO., LTD.