

**AIRMAN**

---

**SG**

---

**PARTS CATALOG**

**ENGINE GENERATOR**

**SDG400S-6B1**

適用型式  
FOR MODEL

型 式 MODEL	適用号機 SER. NO.
SDG400S-6B1	1646B10052~

# NOTICE

1. This parts catalog contains all the parts and assemblies of "AIRMAN" brand products. The complete unit is divided into several parts groups, the details of which are clearly illustrated, and completely listed. So desired part number, name and quantity can be easily determined referring to Ref. No.

2. When you place order for service parts, please be sure to advise us of the following information.

- (1) Part number.
- (2) Quantity required.
- (3) Part name.
- (4) Model name and Serial number.

3. How to read parts catalog.

(1) Ref. No.

Reference number (Ref. No.) is to be used for locating the part number and name from the illustrations. (However some parts such as bolts and nuts etc., are not illustrated but their reference numbers only listed.)

Ref. No. 1, 1-1, 1-2, ..... shows history of part modifications; namely ref. No. 1 changed to No. 1-1 and then 1-2.

Example: Ref. No.	Part No.
1.	21101 00101
1-1.	21101 00103

(2) Part No.

Every part has its own proper number.

Even if a part has the same shape as an other part and if its number different, it is not interchangeable at all in many cases.

(3) Interchangeability

A. B. C. D. Q. X. Y. and Z. in column "Interchangeability" show the following.

A : A new part is replaceable with an old part, but the old part is not replaceable with the new one.

B : Not interchangeable.

C : Disused.

D : Newly added.

Q : Quantity per unit changed.

X : Included in this set of parts, this part is not used for this model.

Y : Part to be selected.

Z : This part can not be supplied as an individual part.

(4) Part name

Every part has its own proper name.

(5) Q'ty

The number shown in the column of Q'TY indicates the quantity of parts used per one unit machine.

(6) Change column

M1,M2,M3,.....Mn mentioned in the column indicate the change of part number. and the serial number of the unit,the part of which was modified.

To check the serial number, refer to "LIST OF MACHINE SERIAL NUMBERS & CHANGED PART NUMBERS" mentioned in the front part of this book.

4. Abbreviations used in this catalog.

ass'y	assembly	L	Length
A	Ampere	OPT.	Option
AUTO.	Automatic	SPC/S.	Special specifications
C/H	Change column	STD.	Standards
Const.	Consisting of	sw.	switch
Cont.	Control	T or t	Thickness
Eng.	Engine	V	Volt
EXP.	Export	W	Watt
GEN.	Generator	w.	with
Incl.	Including	w/o	without

5. HOW TO READ MODELS

Example: S D G 2 5    S - 3 A 1   

SDG : SKID-MOUNTED DIESEL GENERATOR

PDG : PORTABLE DIESEL GENERATOR

SPG : SKID-MOUNTED POWER TAKE OFF GENERATOR

ATS : AUTOMATIC TRANSFER SWITCHES

25 : OUTPUT(kVA)

S : SILENT TYPE

w/o S: UNSILENCED TYPE

A S : ADVANCED SILENT TYPE

3 : BOX TYPE

4 : SUPER SLIM TYPE

5 : FREQUENCY

6 : NORTH AMERICA TYPE

7 : w.OIL FENCE

8 : NORTH AMERICA TYPE(w.OIL FENCE)

MODEL CHANGE MARK

No mark:POWER TAKE OFF GENERATOR

VARIATION MARK

No mark:w/o METAL CONSENT

M : w.METAL CONSENT

A : TRIPLE-V(TYPE A)

B : w.METAL CONSENT(TYPE B)

C : w.SAFETY SYSTEM(TYPE C)

E : w.ATS

D : w.OIL FENCE & TRIPLE-V(TYPE A)

F : w.OIL FENCE &

w.SAFETY SYSTEM(TYPE C)

G : w.OIL FENCE & w.ATS

In case of ATS: 1~4•••12V TYPE,5~8•••24V TYPE

NOTE: We are always engaged in improving our products.So there may be some changes of the product which are not yet mentioned in this parts catalog.

Therefore,in necessary case,we issue a revision in which such changes ars added.

When you have any question on the parts catalog,please ask your nearest dealer or directly us.

For engine parts,please refer to separate engine parts catalog.

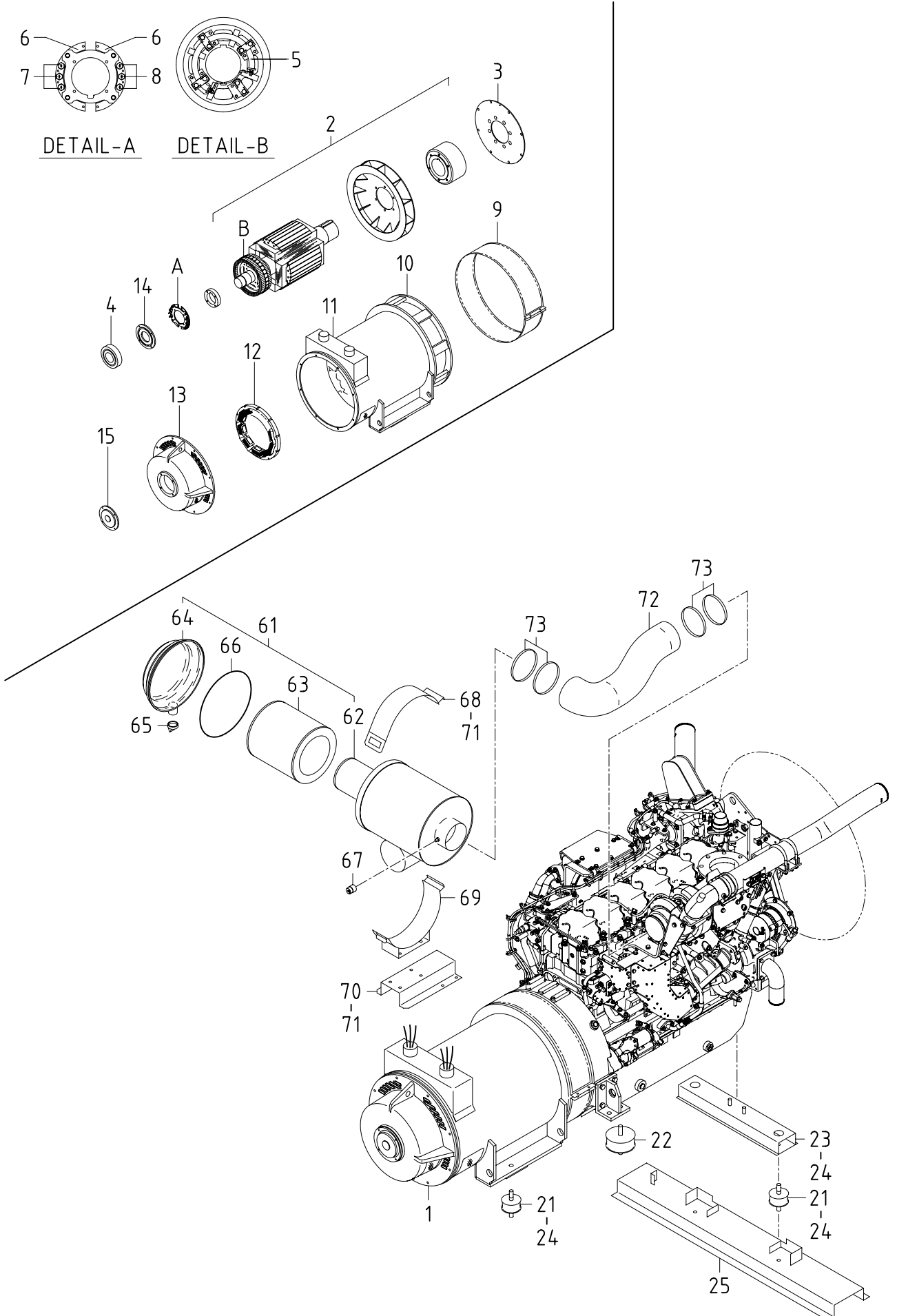
# 部品番号変更時期一覧表

LIST OF MACHINE SERIAL NUMBERS & CHANGED PART NUMBERS

変更 C/H	型式と実施号機 MODEL NAME & SER. NO. OF THE UNIT, THE PART OF WHICH WAS CHANGED					
	SDG400S-6B1					

目 次  
CONTENTS

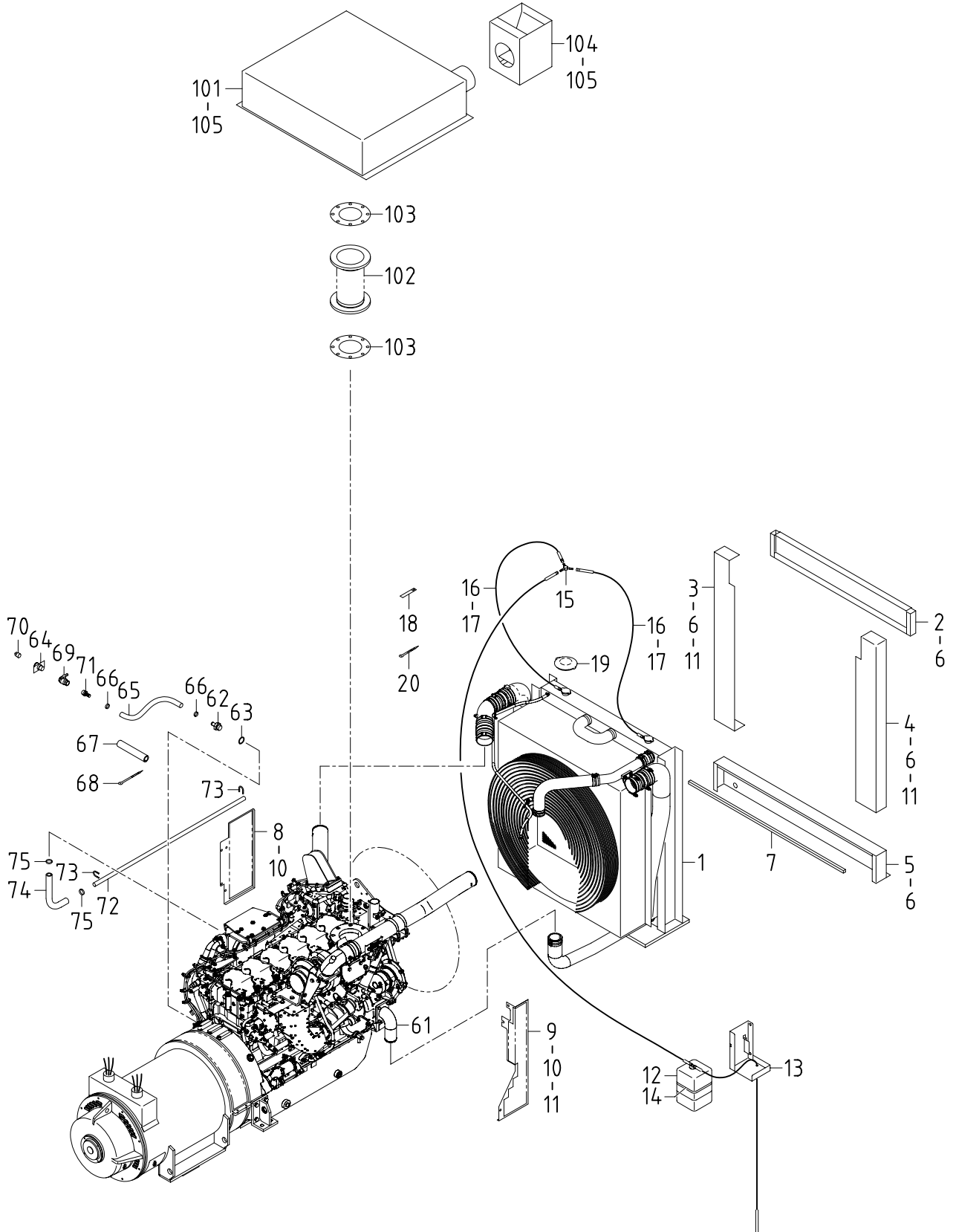
図 番 号 FIG. NO.	図 名 称 FIG. NAME	頁 PAGE
20 - 00	GENERATOR, MOUNTING & INTAKE	ゼネレータ, マウンティング, インテーク 20- 1~2
38 - 00	COOLING, ENGINE & EXHAUST	クーリング, エンジン, エキゾースト 38- 1~2
39 - 00	NAME PLATE	ネームプレート 39- 1~2
43 - 00	FUEL LINE	フュエルライン 43- 1~2
44 - 00	ELECTRIC	エレクトリック 44- 1~3
51 - 00	FRAME & BONNET	フレーム, ホンネット 51- 1~2
52 - 00	LINING	ライニング 52- 1



20 - 00 GENERATOR, MOUNTING & INTAKE

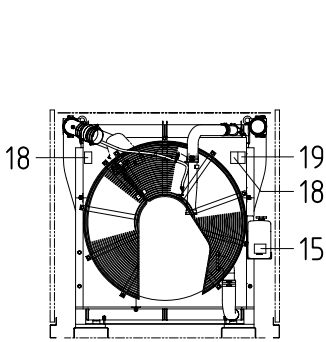
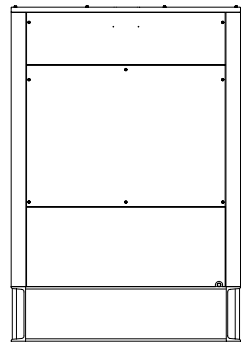
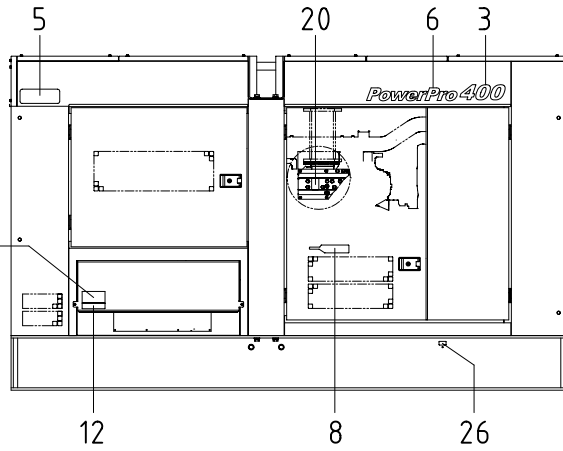
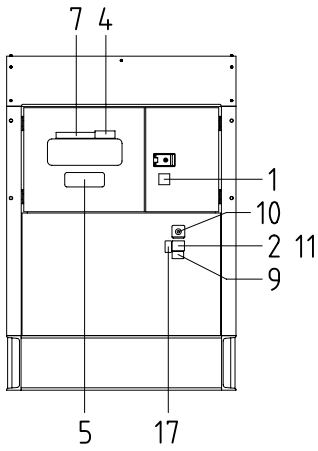
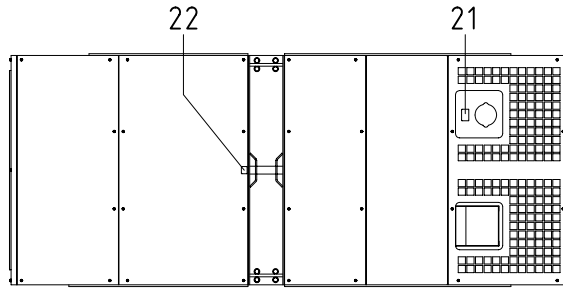
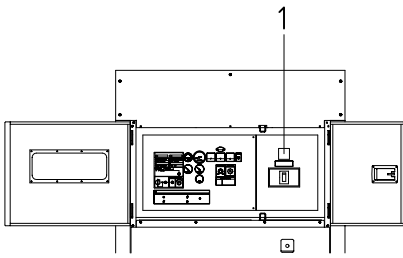
Ref. NO.	Part NO.	Inter-change ability	Part Name	Q'ty	C/H	Remarks	Ref. NO.	Part NO.	Inter-change ability	Part Name	Q'ty	C/H	Remarks
20 - 00 GENERATOR GROUP													
1	20003 61000		Generator	1		Const. No. 2~15							
	02135 16030		Bolt	12		(for coupling)							
	03115 02016		Spring washer	12		(for coupling)							
	02138 12035		Bolt	16									
	03115 02012		Spring washer	16									
	03116 12012		Plain washer	16									
2	25100 09600		A. C. G. rotor ass'y	1									
3	25630 02100		Plate	1									
4	21472 15900		Bearing	1		(6314ZZ)							
5	25650 01900		Surge absorber	1									
6	25641 02000		Belt	2									
	02138 06020		Bolt	4									
	02912 08006		Nut	4									
	03115 02006		Spring washer	4									
	03116 12006		Plain washer	4									
7	46921 09100		Silicon rectifier	3		(61M-100)							
8	46921 09200		Silicon rectifier	3		(61MA-100)							
9	25360 07500		Cover	1									
10	25200 11500		A. C. G. stator ass'y	1									
11	25360 07600		Cover	1									
12	25700 08100		Ex. stator ass'y	1									
	02138 08065		Bolt	4									
	03115 02008		Spring washer	4									
	03116 12008		Plain washer	4									
13	25310 09900		Casing	1									
	02138 10030		Bolt	8									
	03115 02010		Spring washer	8									
14	25360 07700		Cover	1									
15	25350 00500		End cover	1									
	02138 06065		Bolt	4									
	03115 02006		Spring washer	4									
31 - 00 MOUNTING GROUP													
21	31130 09200		Vibration isolator ass'y	4									
22	31130 24800		Vibration isolator ass'y	2									
	02912 08020		Nut	4									
	03115 02020		Spring washer	4									
	03116 12020		Plain washer	4									
23	31110 02010		Bracket	1									
24	02912 08016		Nut	6									
	03115 02016		Spring washer	6									
	03116 12016		Plain washer	6									
25	31110 02110		Bracket	1									
	02135 12050		Bolt	4									
	02915 00012		Hexagon flange nut	4									
32 - 00 INTAKE GROUP													
61	32100 43600		Air filter ass'y	1		Const. No. 62~66							
	02138 10070		Bolt	2									
	02915 00010		Hexagon flange nut	2									
62	32143 15900		Element	1		(inner)							
63	32143 16000		Element	1		(outer)							
64	32142 11100		Cup	1									
	39148 05300		Plate (TOP)	1									
65	32151 01600		Vacuator valve	1									
66	32147 03300		O-ring	1									
67	32148 03000		Filter service indicator	1									
68	32230 28000		Belt	1									
69	32230 30700		Belt	1									
70	32240 38200		Bracket	1									
71	02138 12030		Bolt	8									
	03115 02012		Spring washer	8									
	03116 12012		Plain washer	8									
72	32331 72000		Hose	1									
73	03511 20180		Hose clip	4									



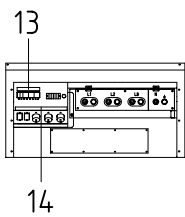
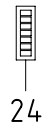
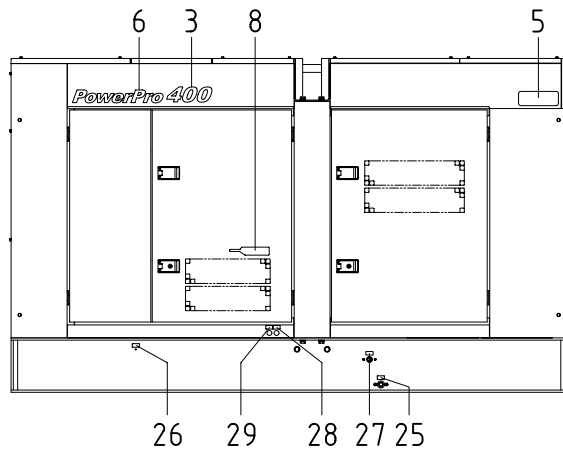


38 - 00 COOLING, ENGINE & EXHAUST

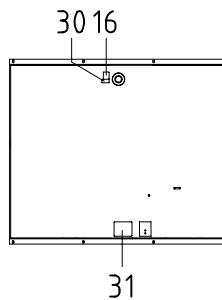
Ref. NO.	Part NO.	Inter-change ability	Part Name	Q'ty	C/H	Remarks	Ref. NO.	Part NO.	Inter-change ability	Part Name	Q'ty	C/H	Remarks
38 - 00 COOLING GROUP													
1	38730 14500		Radiator ass'y	1									
	02138 20055		Bolt	8									
	03116 12020		Plain washer	8									
			(Hose:KOMATSU 6261-61-1720)			(upper)							
			(Hose:KOMATSU 6261-61-1750)			(upper)							
			(Hose:KOMATSU 6261-61-1610)			(lower)							
2	52350 37220		Cover	1									
3	52350 37320		Cover	1									
4	52350 37420		Cover	1									
5	52350 37520		Cover	1									
6	02201 08020		Flange bolt	12									
7	03407 67420		Seal rubber	1									
8	38450 79300		Guard, fan	1									
9	38450 79400		Guard, fan	1									
10	02138 12030		Bolt	5									
	03115 02012		Spring washer	5									
	03116 12012		Plain washer	5									
11	02201 10020		Flange bolt	12									
12	38590 05000		Reserve tank ass'y	1									
13	38860 29200		Bracket	1									
14	03511 30215		Hose clip	1									
15	37771 00200		Tee	1									
16	38594 02800		Hose	2									
17	03511 40016		Hose clip	4									
18	03424 80018		Clip	3									
19	52746 00700		Cap	1									
	44243 04600		Holder	1									
20	03425 00001		Vinyl clip	1									
41 - 00 ENGINE GROUP													
61	* * *		Engine	1									
			(KOMATSU SAA6D140E-5)										
			(Fan belt:KOMATSU * * *)										
	37438 08500		Filter	2		(Eng. oil)							
			(KOMATSU 600-211-1340)										
	43543 01200		Filter	1		(Fuel)							
			(KOMATSU 600-319-3520)										
	37438 08600		Filter	1									
			(KOMATSU 600-411-1171)										
62	37170 21200		Joint	1									
63	03402 20032		O-ring	1									
64	52160 32600		Bracket	1									
	02201 06016		Flange bolt	2									
65	03580 19085		Hose	1									
66	03511 20035		Hose clip	2									
67	43322 04500		Cushion	1									
68	03425 00005		Vinyl clip	2									
69	35483 12700		Stop valve	1									
70	37170 14200		Joint	1									
71	03620 41006		Plug	1									
72	38510 40800		Pipe	1									
73	03830 06005		U-bolt	2									
	02915 00006		Hexagon flange nut	4									
74	03570 25060		Hose	1									
75	03511 20045		Hose clip	2									
42 - 00 EXHAUST GROUP													
101	42100 79000		Exhaust muffler	1									
	02246 10020		Bolt, w/w	4									
102	42310 91400		Pipe, exhaust	1									
	02135 16075		Bolt	16									
	02912 04016		Nut	16									
103	42324 14200		Gasket	2									
104	42240 29100		Bracket	1									
105	02201 08020		Flange bolt	14									



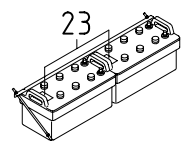
FAN SHROUD



OUTPUT TERMINAL



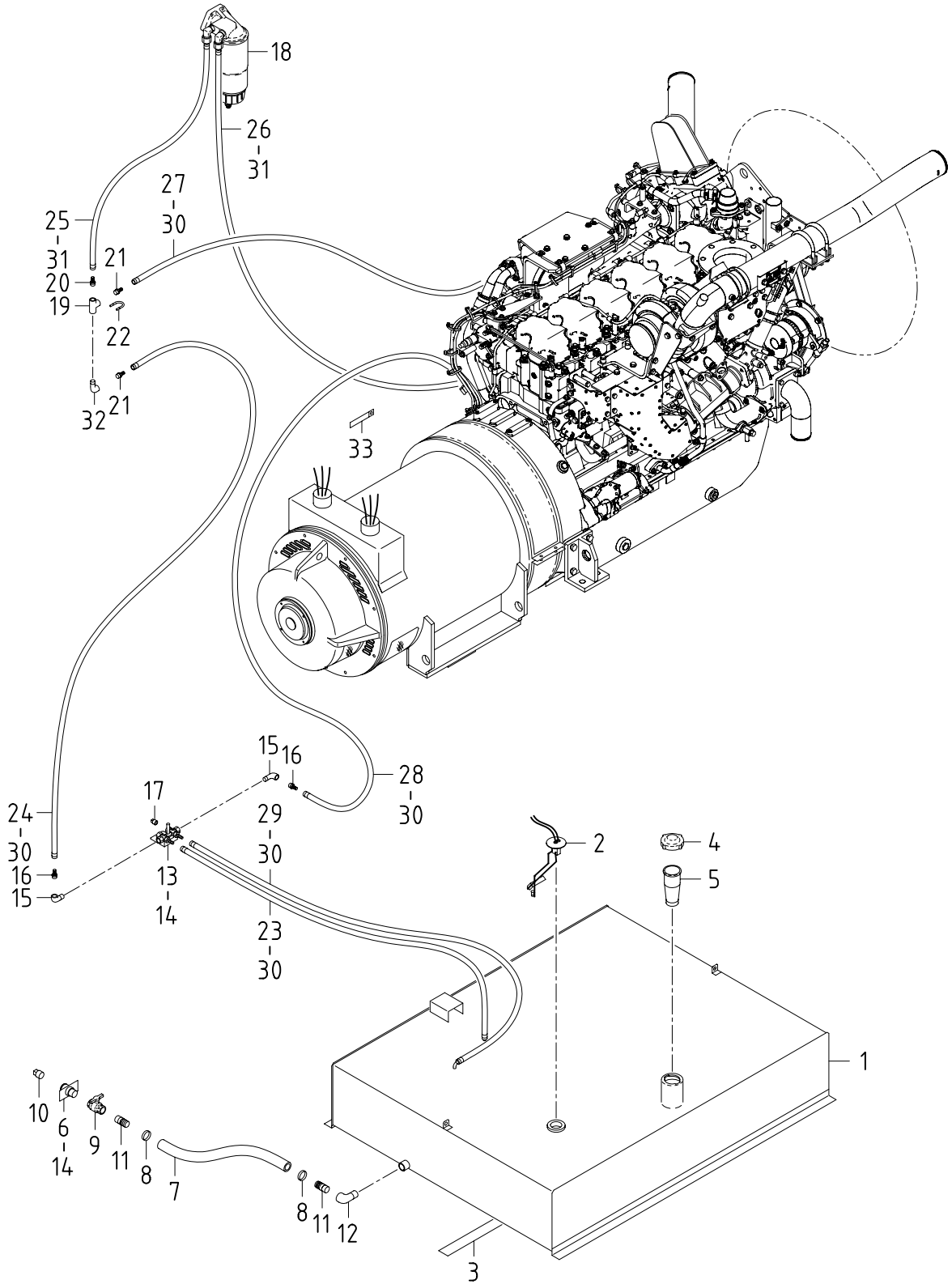
FUEL TANK



BATTERY

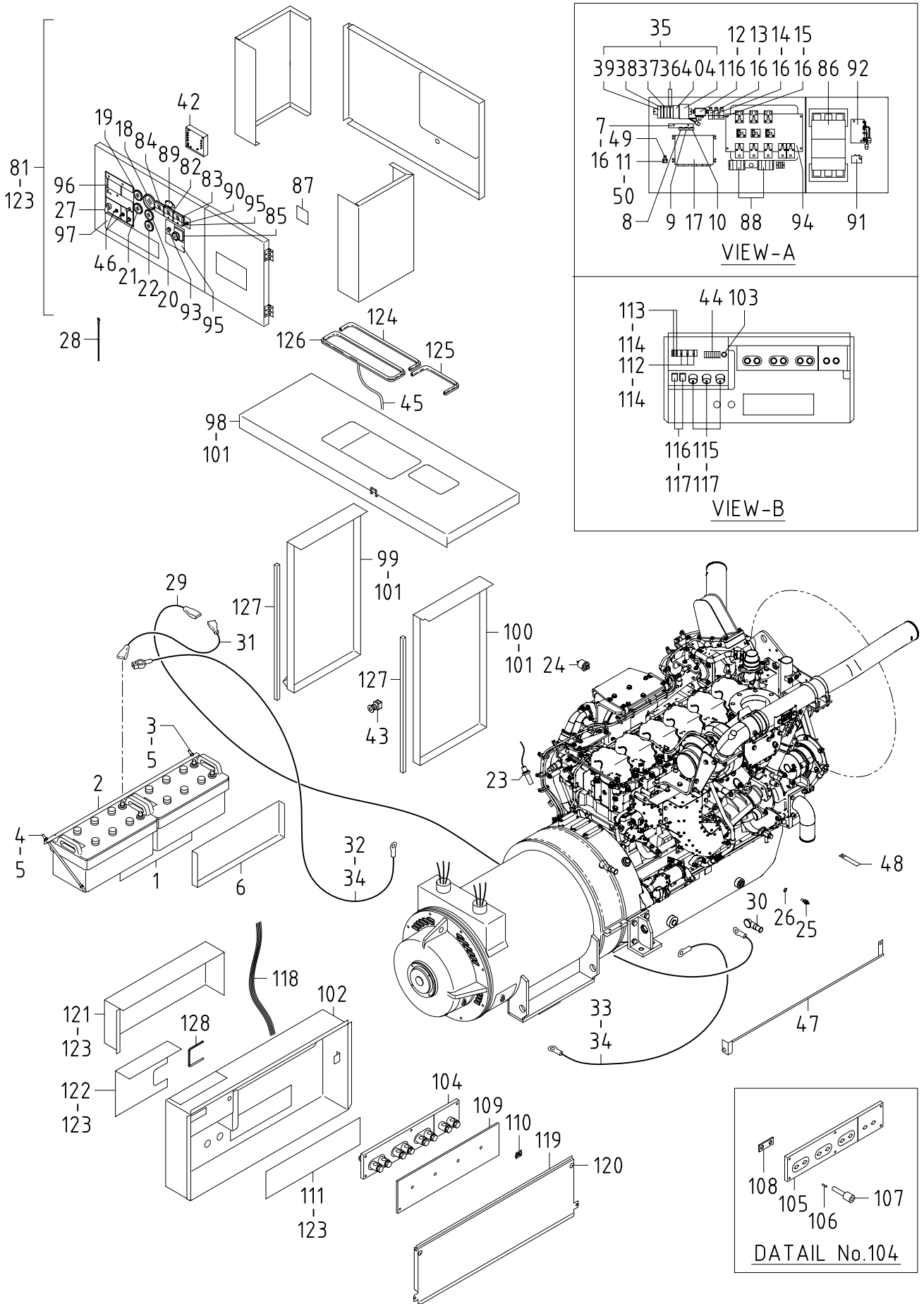
39 - 00 NAME PLATE

Ref. NO.	Part NO.	Inter-change ability	Part Name	Q' ty	C/H	Remarks	Ref. NO.	Part NO.	Inter-change ability	Part Name	Q' ty	C/H	Remarks
	39 - 00		ACCESSORY GROUP										
	39600 91120		Instruction book										
	39615 06300		Instruction book (Eng.)										
	39616 04000		Parts catalog (Eng.)										
1	39178 80820		Plate (DELTA DEMAND)	2									
2	39103 46801		Plate (SER. NO.)	1									
	03260 03010		Blind rivet	4									
3	39178 19530		Plate (400)	2									
4	39178 19630		Plate (400)	1									
5	39178 53720		Plate (MMD EQUIPMENT)	3									
6	39178 54721		Plate (Power Pro)	2									
7	39178 54820		Plate (Power Pro)	1									
8	39178 53620		Plate (QUIETECH)	2									
9	39178 43110		Plate (california)	1									
10	39178 47610		Plate (emergency sw.)	1									
11	39176 62400		Plate (danger, high voltage)	1									
12	39176 62900		Plate (warning, electric shock)	1									
13	39178 87210		Plate (breaker)	1									
14	39178 50620		Plate (socket)	1									
15	39178 00310		Plate (LLC)	1									
16	39176 35600		Plate (No fire)	1									
17	39176 73300		Plate (warning, exhaust gases)	1									
18	39176 73500		Plate (warning, cooling fan)	2									
19	39176 73800		Plate (warning, pulley)	1									
20	39176 69500		Plate (caution, high temp.)	1									
21	39176 69600		Plate (caution, radiator cap)	1									
22	39176 69300		Plate (lift position)	1									
23	39176 50000		Plate (warning, battery)	2									
24	39173 03300		Plate, complete	2		Const. No. 25~30							
25	39189 21300	Z	Plate (fuel drain)	2		(spear:1)							
26	39189 21400	Z	Plate (radiator drain)	2									
27	39189 21500	Z	Plate (eng. oil drain)	2		(spear:1)							
28	39178 90520	Z	Plate (fuel inlet)	2		(spear:1)							
29	39178 90620	Z	Plate (fuel return)	2		(spear:1)							
30	39178 90720	Z	Plate (deasel fuel)	2		(spear:1)							
31	39178 49120		Plate (changed fuel refill)	1									



43 - 00 FUEL LINE

Ref. NO.	Part NO.	Inter-change ability	Part Name	Q' ty	C/H	Remarks	Ref. NO.	Part NO.	Inter-change ability	Part Name	Q' ty	C/H	Remarks
	43 - 00		FUEL GROUP										
1	43100 68900		Fuel tank	1									
	02201 08020		Flange bolt	8									
2	36159 04200		Sending unit	1									
	02345 65012		Screw	5									
	03115 02005		Spring washer	5									
	03116 12005		Plain washer	5									
3	38465 16700		Cushion rubber	1									
4	43220 01300		Cap, fuel tank	1									
5	43210 01301		Strainer	1									
6	52160 32600		Bracket	1									
7	03570 25037		Hose	1									
8	03511 20045		Hose clip	2									
9	35483 12700		Stop valve	1									
10	03620 41006		Plug	1									
11	37170 21400		Joint	2									
12	03731 21006		Elbow	1									
13	35483 10101		Stop valve	1									
14	02201 06016		Flange bolt	4									
15	03731 21003		Elbow	2									
16	37170 12700		Joint	2									
17	03620 41003		Plug	2									
18	43540 07800		Filter ass'y	1		(KOMATSU 6261-S3-7030)							
	43543 01300		Filter, cartridge	1		(KOMATSU 600-319-4500)							
	02201 08040		Flange bolt	4									
	03731 30004		Tee	1									
20	37170 12600		Joint	1									
21	37170 11800		Joint	2									
22	03830 06005		U-bolt	1									
	02915 00006		Hexagon flange nut	2									
23	03570 09025		Hose	1									
24	03570 09040		Hose	1									
25	03570 15044		Hose	1									
26	03570 15085		Hose	1									
27	03570 09120		Hose	1									
28	03570 09180		Hose	2									
	06540 19100		Corrugated tube	1									
29	03570 09047		Hose	1									
30	03511 20020		Hose clip	10									
31	03511 20028		Hose clip	4									
32	03731 21004		Elbow	1									
33	03424 80018		Clip	2									
	02201 10020		Flange bolt	2									



DETAIL No.104

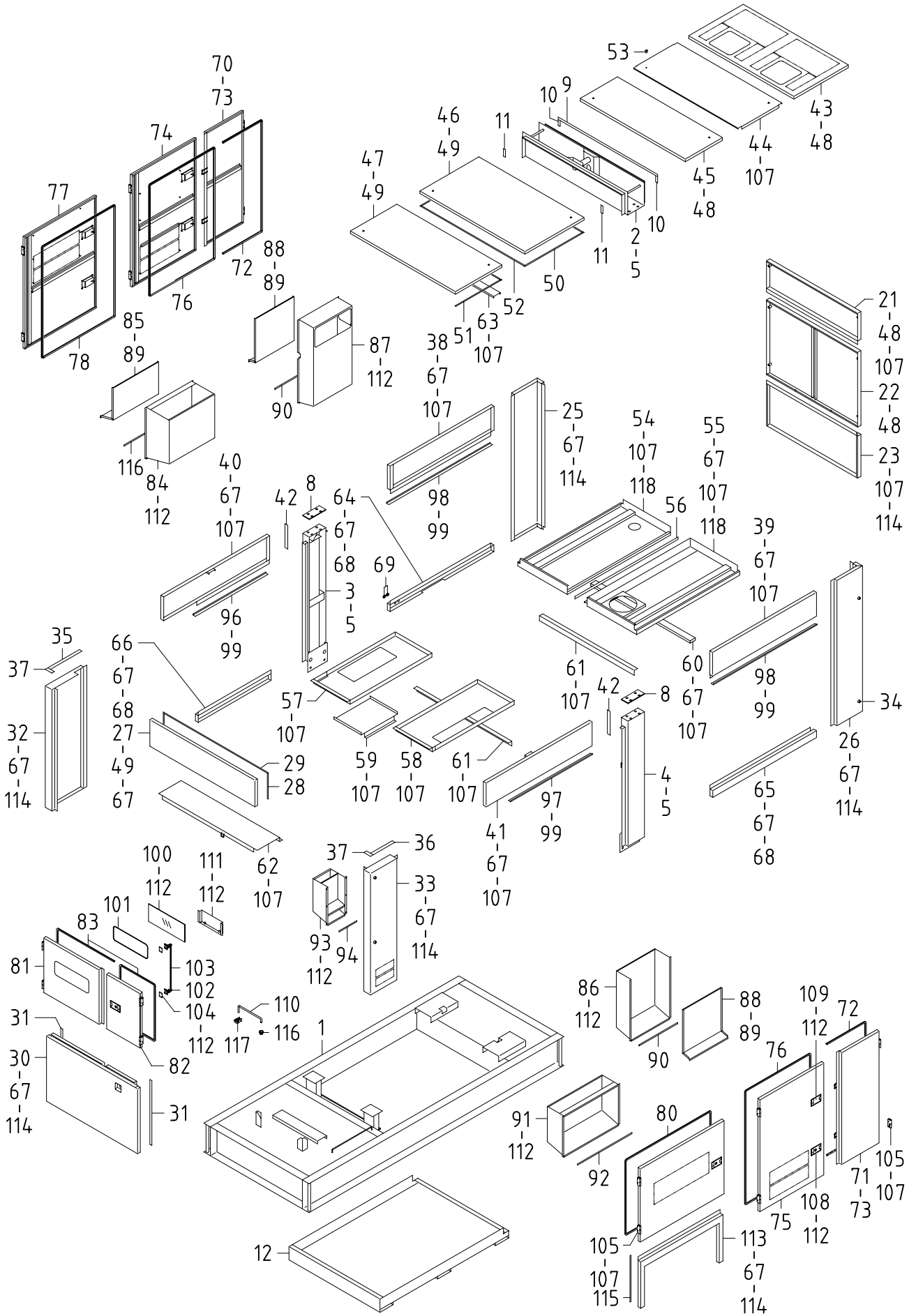
44 - 00 ELECTRIC

Ref. NO.	Part NO.	Inter-change ability	Part Name	Q'ty	C/H	Remarks	Ref. NO.	Part NO.	Inter-change ability	Part Name	Q'ty	C/H	Remarks
44 - 00 ELECTRIC GROUP													
1	44210 00900		Battery	2		(225H52)	48	03424 80018		Clip	1		
2	44220 18401		Cover	1				02201 10020		Flange bolt	1		
3	44243 05100		Holder	1			49	44250 31610		Bracket	1		
4	02832 10074		Rod	1				02248 06016		Bolt, w/w	1		
5	02915 00010		Hexagon flange nut	3			50	44550 29200		Cable kit	1		
6	44250 28610		Bracket	1				02345 26010		Screw	2		
	02201 08020		Flange bolt	3				03115 02006		Spring washer	2		
7	44250 14710		Bracket	1				03116 12006		Plain washer	2		
8	44470 02100		Fuse box	1			46 - 00 ELECTRIC GROUP						
	46934 05000		Fuse (5A)	1			81	46900 91600		Switch board ass'y	1		Const. No. 82~97
9	44470 01600		Fuse box	1			82	46153 03100		Voltmeter (AC)	1		
	46934 03200		Fuse (10A)	1			83	46154 * * *		Ammeter (AC)	1		
10	44470 02600		Fuse box	1			84	46911 01200		Frequency meter	1		
	46934 05100		Fuse (30A)	1			85	46913 01400		Transfer device	1		
11	44470 02500		Fuse box (120A)	1			86	46120 * * *		Circuit breaker	1		
	44461 22600		Connector	1			87	39178 38220		Plate (caution, AVR)	1		
12	44335 01100		Magnetic switch	1		(charge)	88	46923 * * *		Current transformer	2		
13	44346 07500		Relay	1		(ISUZU 582550 0300)	89	46929 00600		Illuminator	1		
14	44346 07500		Relay (heater)	1		(ISUZU 582550 0300)		46939 00900		Bulb (24V)	1		
15	44346 07500		Relay (start)	1		(ISUZU 582550 0300)	90	46167 02400		Select switch	1		
16	02248 06016		Bolt, w/w	7			91	46928 01500		Thermal relay	1		
17	44390 02500		Controller	1		(KOMATSU 6261-81-9400)		46921 02500		Silicon rectifier	1		
	02138 08080		Bolt	4			92	46950 02600		A. V. R ass'y	1		
	03116 12008		Plain washer	4			93	46918 01400		Controller	1		
18	36146 06200		Tachometer (24V)	1		(w. Hour meter)		46991 01100		Knob	1		
19	36158 00601		Gauge, fuel (24V)	1			94	44311 * * *		Terminal plate	4		
20	36143 03800		Gauge, oil press. (24V)	1			95	39178 50820		Plate (caution, switch)	1		
21	36145 06700		Thermometer, water (24V)	1			96	39178 23730		Plate (warning, electric)	1		
22	46154 15500		Ammeter (24V)	1			97	39153 64900		Plate (notice)	1		
23	44381 03800		Tacho sensor	1			98	44250 29610		Bracket	1		
24	44365 00300		Oil pressure sender	1			99	52350 38220		Cover	1		
25	44364 00100		Thermo sensor	1		(water temp.)	100	52350 38020		Cover	1		
26	36153 00100		Gasket	1			101	02201 08020		Flange bolt	12		
27	44322 07200		Starter switch	1		(ISUZU 897044 4180)	102	46470 86100		Box	1		
	52739 00600		Key	2				02201 08030		Flange bolt	4		
28	52660 04700		Hook	1				02915 00008		Hexagon flange nut	4		
	03260 03010		Blind rivet	1				02246 06016		Bolt, w/w	6		
29	07225 29230		Cable	1		(batt. ~starter)		02915 00006		Hexagon flange nut	2		
	44462 06700		Insulator	1		(red)	103	03403 00252		Grommet	1		
	06540 19230		Corrugated tube	1			104	44311 66200		Terminal plate	1		Const. No. 105~108
30	44462 00700		Insulator	1				02201 10030		Flange bolt	5		
31	07225 34080		Cable	1		(batt. ~batt.)	105	46305 09200		Plate	1		
	44462 06700		Insulator	1		(red)	106	46312 05300		Bolt	8		
	44462 06800		Insulator	1		(black)		35208 04800		Bolt	8		
32	07225 48100		Cable	1		(batt. ~Eng. earth)		35211 00700		Nut	16		
	44462 06800		Insulator	1		(black)		35210 00800		Spring washer	24		
	06540 19100		Corrugated tube	1				46309 01300		Plain washer	32		
33	05125 26165		Cable	1		(Eng. earth ~frame)	107	03316 03016		Pin	16		
34	02201 10020		Flange bolt	3			108	46311 02700		Plate	4		
35	46760 46810		Control panel	1		Incl. No. 36~41	109	52416 27300		Window glass	1		
	46921 08600		Silicon rectifier	2				52640 05200		Bolt	1		
	02345 65016		Screw	2				45214 01400		Washer	1		
	03115 02005		Spring washer	2			110	52480 14300		Hinge	2		
	03116 12005		Plain washer	2				02401 24020		Screw	8		
36	46177 08600		Relay (DC24V)	2		(OMRON G2R-1-S)		02915 00004		Hexagon flange nut	4		
37	46177 08700		Relay (DC24V)	1		(OMRON G2R-2-S)	111	46480 50100		Cover	1		
38	46177 09500		Relay (DC24V)	1		(OMRON G2R-1-SD)	112	46120 26900		Circuit breaker	3		
39	46177 08500		Relay (AC220V)	1		(OMRON G2R-1-S)	113	46120 26800		Circuit breaker	2		
40	46872 01300		Dc power supply	1		(OMRON S82S-7724)	114	02345 23008		Screw	16		
	46948 00900		Surge absorber	1				03115 03003		Spring washer	16		
41	46879 48200		Controller complete	1				03116 18003		Plain washer	16		
42	46870 48500		Controller	1		(emergency lamp)	115	44312 02800		Socket	3		
43	44336 03001		Button switch	1			116	44312 02900		Socket	2		
44	44311 47600		Terminal plate	1			117	02345 24020		Screw	10		
	02345 24020		Screw	2				02912 09004		Nut	10		
	03115 03004		Spring washer	2				03115 03004		Spring washer	10		
	03116 18004		Plain washer	2				03116 18004		Plain washer	20		
45	44490 61730		Wiring harness	1		(main harness)	118	44550 28500		Cable kit	1		
46	44500 02800		Switch panel ass'y	1			119	52400 90310		Side cover	1		
47	44290 42600		Guide	1				02168 10040		Bolt	2		(side)
	02138 12030		Bolt	1				52744 01900		Washer	8		(side)
	03115 02012		Spring washer	1				02912 08010		Nut	4		(side)
	03116 12012		Plain washer	1				03116 12010		Plain washer	2		(side)
	02138 16030		Bolt	1				02246 08025		Bolt, w/w	2		(front)
	03115 02016		Spring washer	1									
	03116 12016		Plain washer	1									



44 - 00 ELECTRIC

Ref. NO.	Part NO.	Inter-change ability	Part Name	Q' ty	C/H	Remarks	Ref. NO.	Part NO.	Inter-change ability	Part Name	Q' ty	C/H	Remarks
120	03403 10010		Grommet	2									
121	44260 36100		Cover	1									
122	44260 36200		Cover	1									
123	02201 06016		Flange bolt	35									
124	03407 64715		Seal rubber	1									
125	03407 64712		Seal rubber	1									
126	03407 64702		Seal rubber	1									
127	03407 67419		Seal rubber	2									
128	03407 66714		Seal rubber	1									

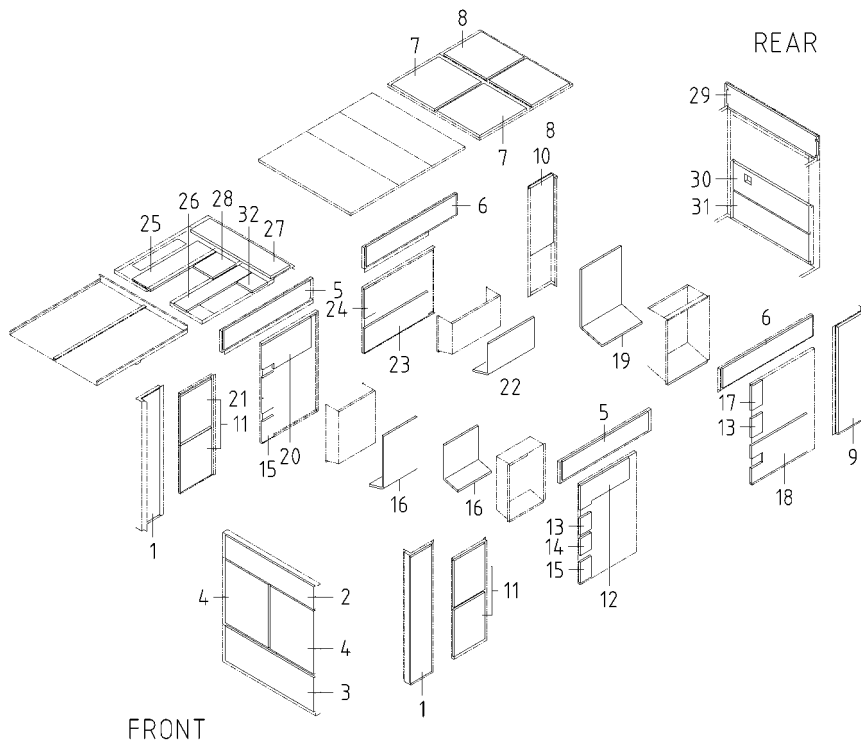


51 - 00 FRAME & BONNET

Ref. NO.	Part NO.	Inter-change ability	Part Name	Q'ty	C/H	Remarks	Ref. NO.	Part NO.	Inter-change ability	Part Name	Q'ty	C/H	Remarks
51 - 00 FRAME GROUP													
1	51100 08841		Frame	1			66	52160 38900		Bracket	1		
2	51500 39500		Bracket	1			67	02201 06016		Flange bolt	53		
3	51500 39600		Bracket	1			68	02138 06030		Bolt	6		
4	51500 39700		Bracket	1				03115 02006		Spring washer	6		
5	02135 20060		Bolt	8		(upper)		03116 12006		Plain washer	6		
	03115 06020		Spring washer	8		(upper)	69	52746 02100		Cap	2		
	03116 15020		Plain washer	8		(upper)	70	52450 01430		Door	1		
	02135 20060		Bolt	8		(lower)	71	52450 01730		Door	1		
	03115 02020		Spring washer	8		(lower)	72	03407 64729		Seal rubber	2		
	03116 12020		Plain washer	12		(lower)	73	02201 06016		Flange bolt	4		
	02912 08020		Nut	4		(lower)		52744 01800		Washer	4		
6	52560 90201		Bottom plate	1			74	52450 01130		Door	1		
	02135 10040		Bolt	8			75	52450 01630		Door	1		
	03115 02010		Spring washer	8			76	03407 64730		Seal rubber	2		
	03116 12010		Plain washer	8			77	52450 01030		Door	1		
	45214 01900		Washer	8			78	03407 64756		Seal rubber	1		
7	52728 21710		Cushion rubber	2			79	52450 01530		Door	1		
8	52728 21410		Cushion rubber	2			80	03407 64743		Seal rubber	1		
9	52728 21510		Cushion rubber	1			81	52450 02130		Door	1		
10	52728 21610		Cushion rubber	2			82	52450 02230		Door	1		
							83	03407 64773		Seal rubber	2		
							84	52370 64900		Duct	1		
							85	52370 64500		Duct	1		
							86	52370 64100		Duct	1		
							87	52370 65000		Duct	1		
							88	52370 64200		Duct	2		
							89	52640 05100		Bolt	26		
							90	03407 66802		Seal rubber	2		
							91	52370 64300		Duct	1		
							92	03407 66861		Seal rubber	1		
							93	52370 67100		Duct	1		
							94	03407 66833		Seal rubber	1		
							95	52160 39000		Bracket	1		
							96	52160 39400		Bracket	1		
							97	52160 39500		Bracket	1		
							98	52160 39600		Bracket	2		
							99	03260 03010		Blind rivet	33		
							100	52416 24400		Window glass	1		
							101	03407 67605		Seal rubber	2		
							102	52710 04400		Latch ass'y	2		
							103	52734 07800		Bar	1		
								03310 30020		Split pin	2		
							104	52458 05300		Plate	2		
							105	52480 12500		Hinge	8		
							106	52480 12600		Hinge	8		
							107	02201 08020		Flange bolt	141		
							108	52710 03601		Latch ass'y	5		Incl. key
								52739 03700		Key	10		(R200)
							109	52710 04100		Latch ass'y	3		
							110	52870 12700		Stay	2		
								03116 12008		Plain washer	2		
								03413 30070		E-ring	2		
							111	39200 04302		Tool box	1		
							112	02915 00006		Hexagon flange nut	84		
							113	52160 38400		Bracket	1		
							114	02201 08030		Flange bolt	17		
							115	03407 66816		Seal rubber	2		
							116	52726 00500		Distance piece	2		
							117	37181 03300		Clip	2		
							118	52744 00900		Washer	6		(Bracket side)
52 - 00 BONNET GROUP													
21	52830 40400		Cover	1									
22	52830 40500		Cover	1									
23	52830 40300		Cover	1									
24	03407 66841		Seal rubber	1									
25	52100 65020		Cover	1									
26	52100 65120		Cover	1									
27	52830 40600		Cover	1									
28	03407 66849		Seal rubber	2									
29	03407 66869		Seal rubber	1									
30	52100 65420		Cover	1									
31	03407 67042		Seal rubber	2									
32	52100 65220		Cover	1									
33	52100 65320		Cover	1									
34	31131 04100		Rubber, vibration isolator	12									
35	52728 21910		Cushion rubber	1									
36	52728 22010		Cushion rubber	1									
37	52728 21710		Cushion rubber	2									
38	52550 16310		Side plate	1									
39	52550 16410		Side plate	1									
40	52550 16510		Side plate	1									
41	52550 16610		Side plate	1									
42	52728 21810		Cushion rubber	2									
43	52300 01320		Top cover	1									
44	52300 01420		Top cover	1									
45	52300 01520		Top cover	1									
46	52300 01720		Top cover	1									
47	52300 01820		Top cover	1									
48	02136 08055		Bolt	24									
	03115 06008		Spring washer	24									
	03116 15008		Plain washer	24									
49	02136 08060		Bolt	19									
	03116 35008		Plain washer	19									
	52744 00900		Washer	19									
50	03407 66845		Seal rubber	2									
51	03407 66841		Seal rubber	2									
52	03407 66808		Seal rubber	3									
53	37181 06600		Clip	10									
54	52360 26300		Duct	1									
55	52360 26400		Duct	1									
56	03407 67047		Seal rubber	1									
57	52360 26600		Duct	1									
58	52360 26500		Duct	1									
59	52350 40220		Cover	1									
60	52540 57700		Support	1									
	03116 12010		Plain washer	4									
61	52540 57500		Support	2									
62	52540 57800		Support	1									
63	52540 57400		Support	1									
64	52160 38700		Bracket	1									
65	52160 38800		Bracket	1									

52 - 00 LINING

Ref. NO.	Part NO.	Inter-changeability	Part Name	Q'ty	C/H	Remarks	Ref. NO.	Part NO.	Inter-changeability	Part Name	Q'ty	C/H	Remarks
			52900 82110 URETHANE FOAM KIT										
1	52959	***	Lining	2		(380 × 1870 × 20T)							
2	52959	***	Lining	1		(340 × 1330 × 20T)							
3	52959	***	Lining	1		(510 × 1330 × 20T)							
4	52959	***	Lining	2		(640 × 950 × 20T)							
5	52959	***	Lining	2		(290 × 1480 × 20T)							
6	52959	***	Lining	2		(290 × 1550 × 20T)							
7	52959	***	Lining	2		(740 × 810 × 20T)							
8	52959	***	Lining	2		(650 × 740 × 20T)							
9	52959	***	Lining	1		(530 × 1570 × 40T)							
10	52959	***	Lining	1		(390 × 1000 × 40T)							
11	52988	***	Lining	4		(540 × 700 × 20T)							
12	52989	***	Lining	1		(20T)							
13	52988	***	Lining	2		(190 × 260 × 20T)							
14	52988	***	Lining	1		(190 × 230 × 20T)							
15	52988	***	Lining	2		(190 × 310 × 20T)							
16	52988	***	Lining	2		(580 × 980 × 20T)							
17	52988	***	Lining	1		(190 × 380 × 20T)							
18	52989	***	Lining	1		(20T)							
19	52988	***	Lining	1		(690 × 940 × 20T)							
20	52989	***	Lining	1		(20T)							
21	52988	***	Lining	1		(190 × 460 × 20T)							
22	52988	***	Lining	1		(730 × 830 × 20T)							
23	52988	***	Lining	1		(360 × 1100 × 20T)							
24	52988	***	Lining	1		(190 × 430 × 20T)							
25	52959	***	Lining	1		(320 × 1130 × 20T)							
26	52959	***	Lining	1		(220 × 1130 × 20T)							
27	52959	***	Lining	1		(350 × 1380 × 40T)							
28	52959	***	Lining	1		(380 × 500 × 20T)							
29	52931	***	Lining	1		(20T)							
30	52931	***	Lining	1		(40T)							
31	52959	***	Lining	1		(390 × 1310 × 40T)							
32	52959	***	Lining	1		(250 × 330 × 20T)							



# I N D E X

PART NO.	PAGE	REF. NO.	PART NO.	PAGE	REF. NO.	PART NO.	PAGE	REF. NO.
02135 10040	51 - 2	6	02345 65012	43 - 2	2	03116 12008	51 - 2	110
02135 12050	20 - 2	25	02345 65016	44 - 2	35	03116 12010	44 - 2	119
02135 16030	20 - 2	1	02401 24020	44 - 2	110	03116 12010	51 - 2	6
02135 16075	38 - 2	102	02832 10074	44 - 2	4	03116 12010	51 - 2	60
02135 20060	51 - 2	5	02912 04016	38 - 2	102	03116 12012	20 - 2	1
02135 20060	51 - 2	5	02912 08006	20 - 2	6	03116 12012	20 - 2	71
02136 08055	51 - 2	48	02912 08010	44 - 2	119	03116 12012	38 - 2	10
02136 08060	51 - 2	49	02912 08016	20 - 2	24	03116 12012	44 - 2	47
02138 06020	20 - 2	6	02912 08020	20 - 2	22	03116 12016	20 - 2	24
02138 06030	51 - 2	68	02912 08020	51 - 2	5	03116 12016	44 - 2	47
02138 06065	20 - 2	15	02912 09004	44 - 2	117	03116 12020	20 - 2	22
02138 08065	20 - 2	12	02915 00004	44 - 2	110	03116 12020	38 - 2	1
02138 08080	44 - 2	17	02915 00006	38 - 2	73	03116 12020	51 - 2	5
02138 10030	20 - 2	13	02915 00006	43 - 2	22	03116 15008	51 - 2	48
02138 10070	20 - 2	61	02915 00006	44 - 2	102	03116 15020	51 - 2	5
02138 12030	20 - 2	71	02915 00006	51 - 2	112	03116 18003	44 - 2	114
02138 12030	38 - 2	10	02915 00008	44 - 2	102	03116 18004	44 - 2	44
02138 12030	44 - 2	47	02915 00010	20 - 2	61	03116 18004	44 - 2	117
02138 12035	20 - 2	1	02915 00010	44 - 2	5	03116 35008	51 - 2	49
02138 16030	44 - 2	47	02915 00012	20 - 2	25	03260 03010	39 - 2	2
02138 20055	38 - 2	1	03115 02005	43 - 2	2	03260 03010	44 - 2	28
02168 10040	44 - 2	119	03115 02005	44 - 2	35	03260 03010	51 - 2	99
02201 06016	38 - 2	64	03115 02006	20 - 2	6	03310 30020	51 - 2	103
02201 06016	43 - 2	14	03115 02006	20 - 2	15	03316 03016	44 - 2	107
02201 06016	44 - 3	123	03115 02006	44 - 2	50	03402 20032	38 - 2	63
02201 06016	51 - 2	67	03115 02006	51 - 2	68	03403 00252	44 - 2	103
02201 06016	51 - 2	73	03115 02008	20 - 2	12	03403 10010	44 - 3	120
02201 08020	38 - 2	6	03115 02010	20 - 2	13	03407 64702	44 - 3	126
02201 08020	38 - 2	105	03115 02010	51 - 2	6	03407 64712	44 - 3	125
02201 08020	43 - 2	1	03115 02012	20 - 2	1	03407 64715	44 - 3	124
02201 08020	44 - 2	6	03115 02012	20 - 2	71	03407 64729	51 - 2	72
02201 08020	44 - 2	101	03115 02012	38 - 2	10	03407 64730	51 - 2	76
02201 08020	51 - 2	107	03115 02012	44 - 2	47	03407 64743	51 - 2	80
02201 08030	44 - 2	102	03115 02016	20 - 2	1	03407 64756	51 - 2	78
02201 08030	51 - 2	114	03115 02016	20 - 2	24	03407 64773	51 - 2	83
02201 08040	43 - 2	18	03115 02016	44 - 2	47	03407 66714	44 - 3	128
02201 10020	38 - 2	11	03115 02020	20 - 2	22	03407 66802	51 - 2	90
02201 10020	43 - 2	33	03115 02020	51 - 2	5	03407 66808	51 - 2	52
02201 10020	44 - 2	34	03115 03003	44 - 2	114	03407 66816	51 - 2	115
02201 10020	44 - 2	48	03115 03004	44 - 2	44	03407 66833	51 - 2	94
02201 10030	44 - 2	104	03115 03004	44 - 2	117	03407 66841	51 - 2	24
02246 06016	44 - 2	102	03115 06008	51 - 2	48	03407 66841	51 - 2	51
02246 08025	44 - 2	119	03115 06020	51 - 2	5	03407 66845	51 - 2	50
02246 10020	38 - 2	101	03116 12005	43 - 2	2	03407 66849	51 - 2	28
02248 06016	44 - 2	16	03116 12005	44 - 2	35	03407 66861	51 - 2	92
02248 06016	44 - 2	49	03116 12006	20 - 2	6	03407 66869	51 - 2	29
02345 23008	44 - 2	114	03116 12006	44 - 2	50	03407 67042	51 - 2	31
02345 24020	44 - 2	44	03116 12006	51 - 2	68	03407 67047	51 - 2	56
02345 24020	44 - 2	117	03116 12008	20 - 2	12	03407 67419	44 - 3	127
02345 26010	44 - 2	50	03116 12008	44 - 2	17	03407 67420	38 - 2	7

# I N D E X

PART NO.	PAGE	REF. NO.	PART NO.	PAGE	REF. NO.	PART NO.	PAGE	REF. NO.
03407 67605	51 - 2	101	25630 02100	20 - 2	3	38860 29200	38 - 2	13
03413 30070	51 - 2	110	25641 02000	20 - 2	6	39103 46801	39 - 2	2
03424 80018	38 - 2	18	25650 01900	20 - 2	5	39148 05300	20 - 2	64
03424 80018	43 - 2	33	25700 08100	20 - 2	12	39153 64900	44 - 2	97
03424 80018	44 - 2	48	31110 02010	20 - 2	23	39173 03300	39 - 2	24
03425 00001	38 - 2	20	31110 02110	20 - 2	25	39176 35600	39 - 2	16
03425 00005	38 - 2	68	31130 09200	20 - 2	21	39176 50000	39 - 2	23
03511 20020	43 - 2	30	31130 24800	20 - 2	22	39176 62400	39 - 2	11
03511 20028	43 - 2	31	31131 04100	51 - 2	34	39176 62900	39 - 2	12
03511 20035	38 - 2	66	32100 43600	20 - 2	61	39176 69300	39 - 2	22
03511 20045	38 - 2	75	32142 11100	20 - 2	64	39176 69500	39 - 2	20
03511 20045	43 - 2	8	32143 15900	20 - 2	62	39176 69600	39 - 2	21
03511 20180	20 - 2	73	32143 16000	20 - 2	63	39176 73300	39 - 2	17
03511 30215	38 - 2	14	32147 03300	20 - 2	66	39176 73500	39 - 2	18
03511 40016	38 - 2	17	32148 03000	20 - 2	67	39176 73800	39 - 2	19
03570 09025	43 - 2	23	32151 01600	20 - 2	65	39178 00310	39 - 2	15
03570 09040	43 - 2	24	32230 28000	20 - 2	68	39178 19530	39 - 2	3
03570 09047	43 - 2	29	32230 30700	20 - 2	69	39178 19630	39 - 2	4
03570 09120	43 - 2	27	32240 38200	20 - 2	70	39178 23730	44 - 2	96
03570 09180	43 - 2	28	32331 72000	20 - 2	72	39178 38220	44 - 2	87
03570 15044	43 - 2	25	35208 04800	44 - 2	106	39178 43110	39 - 2	9
03570 15085	43 - 2	26	35210 00800	44 - 2	106	39178 47610	39 - 2	10
03570 25037	43 - 2	7	35211 00700	44 - 2	106	39178 49120	39 - 2	31
03570 25060	38 - 2	74	35483 10101	43 - 2	13	39178 50620	39 - 2	14
03580 19085	38 - 2	65	35483 12700	38 - 2	69	39178 50820	44 - 2	95
03620 41003	43 - 2	17	35483 12700	43 - 2	9	39178 53620	39 - 2	8
03620 41006	38 - 2	71	36143 03800	44 - 2	20	39178 53720	39 - 2	5
03620 41006	43 - 2	10	36145 06700	44 - 2	21	39178 54721	39 - 2	6
03731 21003	43 - 2	15	36146 06200	44 - 2	18	39178 54820	39 - 2	7
03731 21004	43 - 2	32	36153 00100	44 - 2	26	39178 80820	39 - 2	1
03731 21006	43 - 2	12	36158 00601	44 - 2	19	39178 87210	39 - 2	13
03731 30004	43 - 2	19	36159 04200	43 - 2	2	39178 90520	39 - 2	28
03830 06005	38 - 2	73	37170 11800	43 - 2	21	39178 90620	39 - 2	29
03830 06005	43 - 2	22	37170 12600	43 - 2	20	39178 90720	39 - 2	30
05125 26165	44 - 2	33	37170 12700	43 - 2	16	39189 21300	39 - 2	25
06540 19100	43 - 2	28	37170 14200	38 - 2	70	39189 21400	39 - 2	26
06540 19100	44 - 2	32	37170 21200	38 - 2	62	39189 21500	39 - 2	27
06540 19230	44 - 2	29	37170 21400	43 - 2	11	39200 04302	51 - 2	111
07225 29230	44 - 2	29	37181 03300	51 - 2	117	42100 79000	38 - 2	101
07225 34080	44 - 2	31	37181 06600	51 - 2	53	42240 29100	38 - 2	104
07225 48100	44 - 2	32	37438 08500	38 - 2	61	42310 91400	38 - 2	102
20003 61000	20 - 2	1	37438 08600	38 - 2	61	42324 14200	38 - 2	103
21472 15900	20 - 2	4	37771 00200	38 - 2	15	43100 68900	43 - 2	1
25100 09600	20 - 2	2	38450 79300	38 - 2	8	43210 01301	43 - 2	5
25200 11500	20 - 2	10	38450 79400	38 - 2	9	43220 01300	43 - 2	4
25310 09900	20 - 2	13	38465 16700	43 - 2	3	43322 04500	38 - 2	67
25350 00500	20 - 2	15	38510 40800	38 - 2	72	43540 07800	43 - 2	18
25360 07500	20 - 2	9	38590 05000	38 - 2	12	43543 01200	38 - 2	61
25360 07600	20 - 2	11	38594 02800	38 - 2	16	43543 01300	43 - 2	18
25360 07700	20 - 2	14	38730 14500	38 - 2	1	44210 00900	44 - 2	1

# I N D E X

PART NO.	PAGE	REF. NO.	PART NO.	PAGE	REF. NO.	PART NO.	PAGE	REF. NO.			
44220	18401	44 - 2	2	46177	09500	44 - 2	38	52300	01520	51 - 2	45
44243	04600	38 - 2	19	46305	09200	44 - 2	105	52300	01720	51 - 2	46
44243	05100	44 - 2	3	46309	01300	44 - 2	106	52300	01820	51 - 2	47
44250	14710	44 - 2	7	46311	02700	44 - 2	108	52350	37220	38 - 2	2
44250	28610	44 - 2	6	46312	05300	44 - 2	106	52350	37320	38 - 2	3
44250	29610	44 - 2	98	46470	86100	44 - 2	102	52350	37420	38 - 2	4
44250	31610	44 - 2	49	46480	50100	44 - 2	111	52350	37520	38 - 2	5
44260	36100	44 - 3	121	46760	46810	44 - 2	35	52350	38020	44 - 2	100
44260	36200	44 - 3	122	46870	48500	44 - 2	42	52350	38220	44 - 2	99
44290	42600	44 - 2	47	46872	01300	44 - 2	40	52350	40220	51 - 2	59
44311	* * *	44 - 2	94	46879	48200	44 - 2	41	52360	26300	51 - 2	54
44311	47600	44 - 2	44	46900	91600	44 - 2	81	52360	26400	51 - 2	55
44311	66200	44 - 2	104	46911	01200	44 - 2	84	52360	26500	51 - 2	58
44312	02800	44 - 2	115	46913	01400	44 - 2	85	52360	26600	51 - 2	57
44312	02900	44 - 2	116	46918	01400	44 - 2	93	52370	64100	51 - 2	86
44322	07200	44 - 2	27	46921	02500	44 - 2	91	52370	64200	51 - 2	88
44335	01100	44 - 2	12	46921	08600	44 - 2	35	52370	64300	51 - 2	91
44336	03001	44 - 2	43	46921	09100	20 - 2	7	52370	64500	51 - 2	85
44346	07500	44 - 2	13	46921	09200	20 - 2	8	52370	64900	51 - 2	84
44346	07500	44 - 2	14	46923	* * *	44 - 2	88	52370	65000	51 - 2	87
44346	07500	44 - 2	15	46928	01500	44 - 2	91	52370	67100	51 - 2	93
44364	00100	44 - 2	25	46929	00600	44 - 2	89	52400	90310	44 - 2	119
44365	00300	44 - 2	24	46934	03200	44 - 2	9	52416	24400	51 - 2	100
44381	03800	44 - 2	23	46934	05000	44 - 2	8	52416	27300	44 - 2	109
44390	02500	44 - 2	17	46934	05100	44 - 2	10	52450	01030	51 - 2	77
44461	22600	44 - 2	11	46939	00900	44 - 2	89	52450	01130	51 - 2	74
44462	00700	44 - 2	30	46948	00900	44 - 2	40	52450	01430	51 - 2	70
44462	06700	44 - 2	29	46950	02600	44 - 2	92	52450	01530	51 - 2	79
44462	06700	44 - 2	31	46991	01100	44 - 2	93	52450	01630	51 - 2	75
44462	06800	44 - 2	31	51100	08841	51 - 2	1	52450	01730	51 - 2	71
44462	06800	44 - 2	32	51500	39500	51 - 2	2	52450	02130	51 - 2	81
44470	01600	44 - 2	9	51500	39600	51 - 2	3	52450	02230	51 - 2	82
44470	02100	44 - 2	8	51500	39700	51 - 2	4	52458	05300	51 - 2	104
44470	02500	44 - 2	11	52100	65020	51 - 2	25	52480	12500	51 - 2	105
44470	02600	44 - 2	10	52100	65120	51 - 2	26	52480	12600	51 - 2	106
44490	61730	44 - 2	45	52100	65220	51 - 2	32	52480	14300	44 - 2	110
44500	02800	44 - 2	46	52100	65320	51 - 2	33	52540	57400	51 - 2	63
44550	28500	44 - 2	118	52100	65420	51 - 2	30	52540	57500	51 - 2	61
44550	29200	44 - 2	50	52160	32600	38 - 2	64	52540	57700	51 - 2	60
45214	01400	44 - 2	109	52160	32600	43 - 2	6	52540	57800	51 - 2	62
45214	01900	51 - 2	6	52160	38400	51 - 2	113	52550	16310	51 - 2	38
46120	* * *	44 - 2	86	52160	38700	51 - 2	64	52550	16410	51 - 2	39
46120	26800	44 - 2	113	52160	38800	51 - 2	65	52550	16510	51 - 2	40
46120	26900	44 - 2	112	52160	38900	51 - 2	66	52550	16610	51 - 2	41
46153	03100	44 - 2	82	52160	39000	51 - 2	95	52560	90201	51 - 2	6
46154	* * *	44 - 2	83	52160	39400	51 - 2	96	52640	05100	51 - 2	89
46154	15500	44 - 2	22	52160	39500	51 - 2	97	52640	05200	44 - 2	109
46167	02400	44 - 2	90	52160	39600	51 - 2	98	52660	04700	44 - 2	28
46177	08500	44 - 2	39	52300	01320	51 - 2	43	52710	03601	51 - 2	108
46177	08600	44 - 2	36	52300	01420	51 - 2	44	52710	04100	51 - 2	109
46177	08700	44 - 2	37								

# I N D E X

PART NO.	PAGE	REF. NO.	PART NO.	PAGE	REF. NO.	PART NO.	PAGE	REF. NO.
52710	04400	51 - 2	102	52988	* * *	52 - 1	22	
52726	00500	51 - 2	116	52988	* * *	52 - 1	23	
52728	21410	51 - 2	8	52988	* * *	52 - 1	24	
52728	21510	51 - 2	9	52989	* * *	52 - 1	12	
52728	21610	51 - 2	10	52989	* * *	52 - 1	18	
52728	21710	51 - 2	7	52989	* * *	52 - 1	20	
52728	21710	51 - 2	37					
52728	21810	51 - 2	42					
52728	21910	51 - 2	35					
52728	22010	51 - 2	36					
52734	07800	51 - 2	103					
52739	00600	44 - 2	27					
52739	03700	51 - 2	108					
52744	00900	51 - 2	49					
52744	00900	51 - 2	118					
52744	01800	51 - 2	73					
52744	01900	44 - 2	119					
52746	00700	38 - 2	19					
52746	02100	51 - 2	69					
52830	40300	51 - 2	23					
52830	40400	51 - 2	21					
52830	40500	51 - 2	22					
52830	40600	51 - 2	27					
52870	12700	51 - 2	110					
52931	* * *	52 - 1	29					
52931	* * *	52 - 1	30					
52959	* * *	52 - 1	1					
52959	* * *	52 - 1	2					
52959	* * *	52 - 1	3					
52959	* * *	52 - 1	4					
52959	* * *	52 - 1	5					
52959	* * *	52 - 1	6					
52959	* * *	52 - 1	7					
52959	* * *	52 - 1	8					
52959	* * *	52 - 1	9					
52959	* * *	52 - 1	10					
52959	* * *	52 - 1	25					
52959	* * *	52 - 1	26					
52959	* * *	52 - 1	27					
52959	* * *	52 - 1	28					
52959	* * *	52 - 1	31					
52959	* * *	52 - 1	32					
52988	* * *	52 - 1	11					
52988	* * *	52 - 1	13					
52988	* * *	52 - 1	14					
52988	* * *	52 - 1	15					
52988	* * *	52 - 1	16					
52988	* * *	52 - 1	17					
52988	* * *	52 - 1	19					
52988	* * *	52 - 1	21					



**HOKUETSU INDUSTRIES CO., LTD.**

8TH FLOOR SHINJUKU SAN-EI BLDG,  
22-2 NISHI-SHINJUKU 1-CHOME, SHINJUKU-KU  
TOKYO 160-0023 JAPAN  
TEL:81-3-3348-7281  
FAX:81-3-3348-7289  
URL:<http://www.airman.co.jp>

Copyright(C)2009 HOKUETSU INDUSTRIES CO., LTD. All Rights Reserved

0911-01  
CAT. NO. 39546 78000



**AIRMAN**  
HOKUETSU INDUSTRIES CO., LTD.