

# AIRMAN

---

The logo consists of the letters 'S' and 'G' in a bold, stylized font. The 'S' is on the left and the 'G' is on the right, both with a thick black outline and a white fill. They are positioned between two horizontal lines.

---

## PARTS CATALOG

ENGINE GENERATOR

**SDG45S-8B1**

**SDG65S-8B1**

適用型式  
FOR MODEL

型 式 MODEL	適用号機 SER. NO.
SDG45S-8B1 [WITH OIL FENCE TYPE]	1338B10051~
SDG65S-8B1 [WITH OIL FENCE TYPE]	1478B10051~

# NOTICE

1. This parts catalog contains all the parts and assemblies of "AIRMAN" brand products. The complete unit is divided into several parts groups, the details of which are clearly illustrated, and completely listed. So desired part number, name and quantity can be easily determined referring to Ref.No.

2. When you place order for service parts, please be sure to advise us of the following information.

- (1) Part number.
- (2) Quantity required.
- (3) Part name.
- (4) Model name and Serial number.

3. How to read parts catalog.

(1) Ref.No.

Reference number (Ref.No.) is to be used for locating the part number and name from the illustrations. (However some parts such as bolts and nuts etc., are not illustrated but their reference numbers only listed.)

Ref.No. 1, 1-1, 1-2, ..... shows history of part modifications; namely ref.No. 1 changed to No. 1-1 and then 1-2.

Example: Ref.No.	Part No.
1.	21101 00101
1-1.	21101 00103

(2) Part No.

Every part has its own proper number.

Even if a part has the same shape as an other part and if its number different, it is not interchangeable at all in many cases.

(3) Interchangeability

A. B. C. D. Q. X. Y. and Z. in column "Interchangeability" show the following.

A : A new part is replaceable with an old part, but the old part is not replaceable with the new one.

B : Not interchangeable.

C : Disused.

D : Newly added.

Q : Quantity per unit changed.

X : Included in this set of parts, this part is not used for this model.

Y : Part to be selected.

Z : This part can not be supplied as an individual part.

(4) Part name

Every part has its own proper name.

(5) Q'ty

The number shown in the column of Q'TY indicates the quantity of parts used per one unit machine.

(6) Change column

M1,M2,M3,.....Mn mentioned in the column indicate the change of part number. and the serial number of the unit,the part of which was modified.

To check the serial number, refer to "LIST OF MACHINE SERIAL NUMBERS & CHANGED PART NUMBERS" mentioned in the front part of this book.

4. Abbreviations used in this catalog.

ass'y	assembly	L	Length
A	Ampere	OPT.	Option
AUTO.	Automatic	SPC/S.	Special specifications
C/H	Change column	STD.	Standards
Const.	Consisting of	sw.	switch
Cont.	Control	T or t	Thickness
Eng.	Engine	V	Volt
EXP.	Export	W	Watt
GEN.	Generator	w.	with
Incl.	Including	w/o	without

5. HOW TO READ MODELS

Example: S D G 2 5    S - 3 A 1   

SDG : SKID-MOUNTED DIESEL GENERATOR

PDG : PORTABLE DIESEL GENERATOR

SPG : SKID-MOUNTED POWER TAKE OFF GENERATOR

ATS : AUTOMATIC TRANSFER SWITCHES

25 : OUTPUT(kVA)

S : SILENT TYPE

w/o S: UNSILENCED TYPE

AS : ADVANCED SILENT TYPE

3 : BOX TYPE

4 : SUPER SLIM TYPE

5 : FREQUENCY

6 : NORTH AMERICA TYPE

7 : w.OIL FENCE

8 : NORTH AMERICA TYPE(w.OIL FENCE)

MODEL CHANGE MARK

No mark:POWER TAKE OFF GENERATOR

VARIATION MARK

No mark:w/o METAL CONSENT

M : w.METAL CONSENT

A : TRIPLE-V(TYPE A)

B : w.METAL CONSENT(TYPE B)

C : w.SAFETY SYSTEM(TYPE C)

E : w.ATS

D : w.OIL FENCE & TRIPLE-V(TYPE A)

F : w.OIL FENCE &

w.SAFETY SYSTEM(TYPE C)

G : w.OIL FENCE & w.ATS

In case of ATS: 1~4•••12V TYPE,5~8•••24V TYPE

NOTE: We are always engaged in improving our products.So there may be some changes of the product which are not yet mentioned in this parts catalog.

Therefore,in necessary case,we issue a revision in which such changes ars added.

When you have any question on the parts catalog,please ask your nearest dealer or directly us.

For engine parts,please refer to separate engine parts catalog.

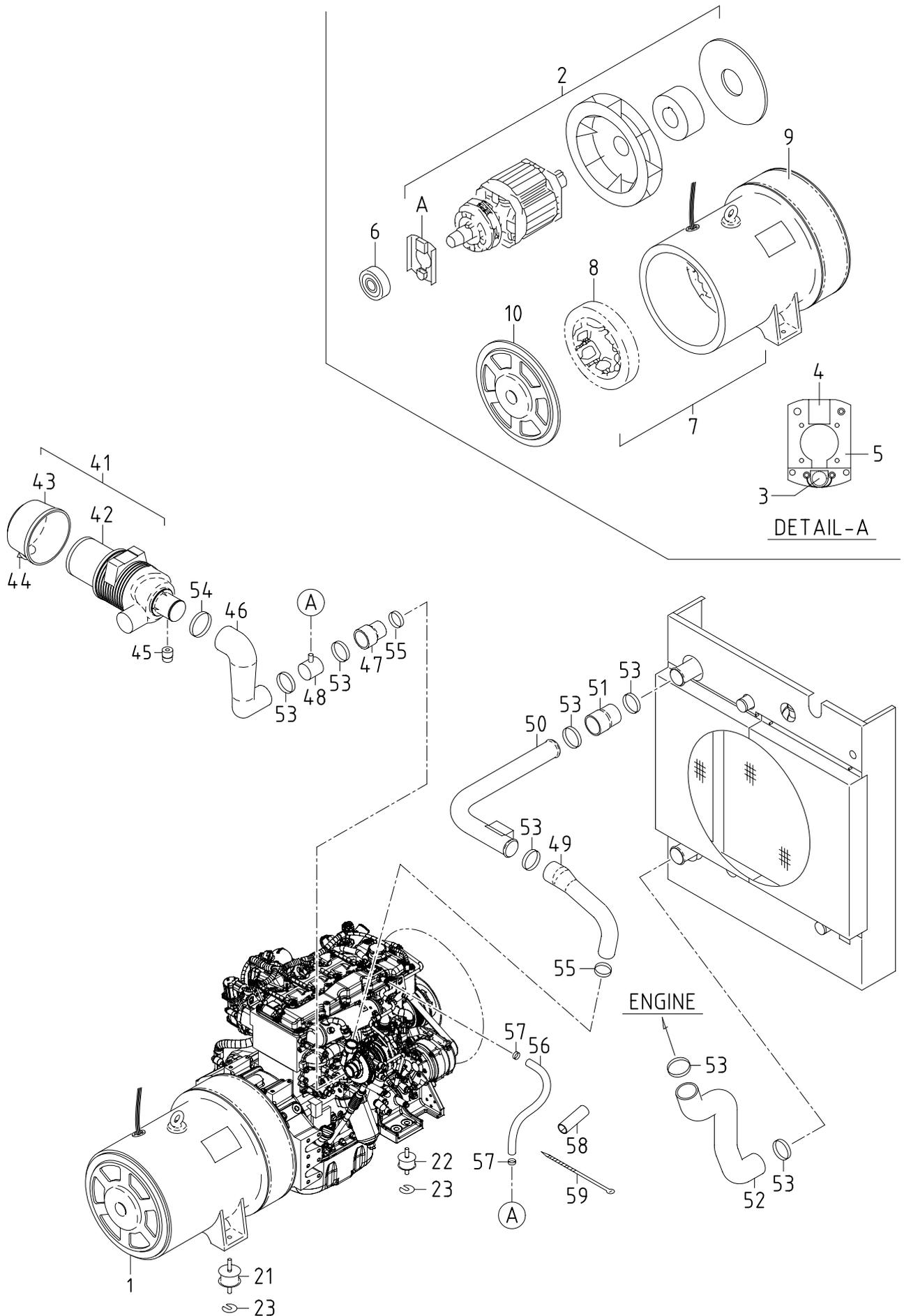
部 品 番 号 変 更 時 期 一 覧 表  
LIST OF MACHINE SERIAL NUMBERS & CHANGED PART NUMBERS

変 更 C/H	型 式 と 実 施 号 機 MODEL NAME & SER. NO. OF THE UNIT, THE PART OF WHICH WAS CHANGED					
	SDG45S-8B1	SDG65S-8B1				
M192	0052~	0066~				
M197	0052~	0071~				
M204	0056~	0071~				
M216	0056~	0071~				
M218	0056~	0071~				

# 目 次

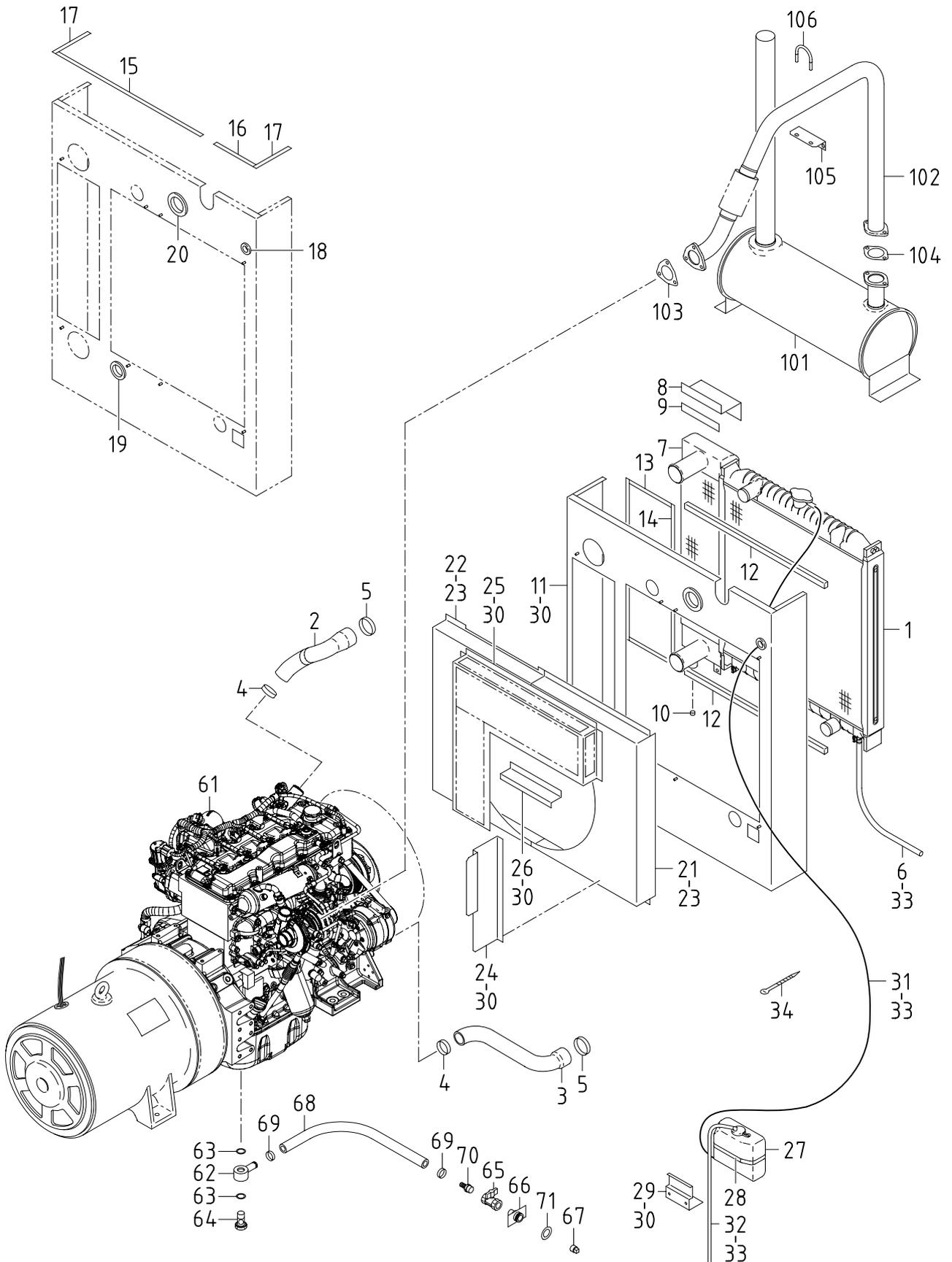
## CONTENTS

図 番 号 FIG. NO.	図 名 称 FIG. NAME	頁 PAGE
20 - 00	GENERATOR, MOUNTING & INTAKE	ゼネレータ, マウンティング, インテーク 20- 1~2
38 - 00	COOLING, ENGINE & EXHAUST	クーリング, エンジン, エキゾースト 38- 1~2
39 - 00	NAME PLATE	ネームプレート 39- 1~2
43 - 00	FUEL LINE	フュエルライン 43- 1~2
44 - 00	ELECTRIC	エレクトリック 44- 1~3
51 - 00	FRAME & BONNET	フレーム, ボンネット 51- 1~2
51 - 01	OIL FENCE	オイルフェンス 51- 3~4
52 - 00	LINING	ライニング 52- 1



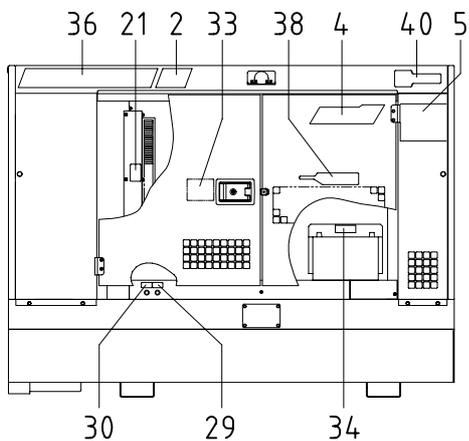
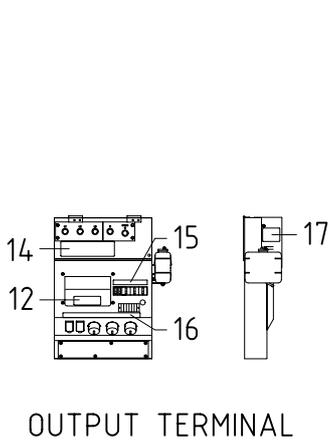
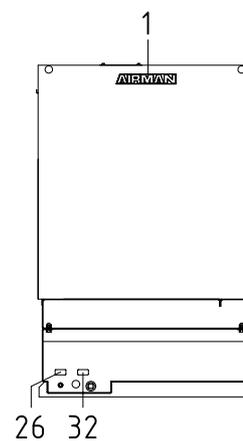
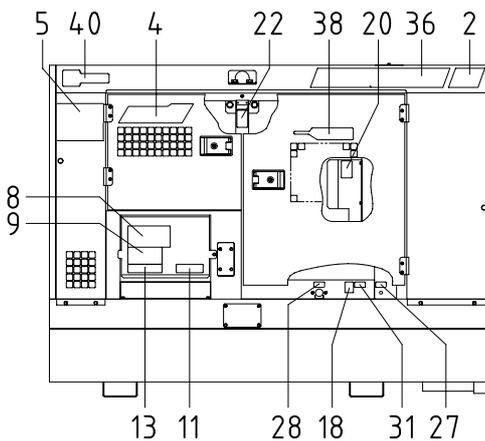
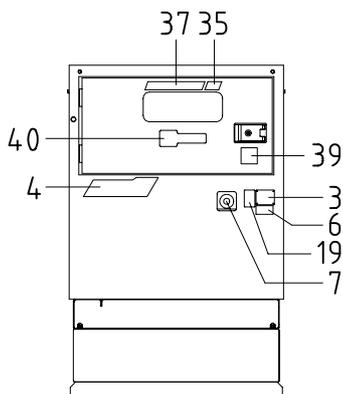
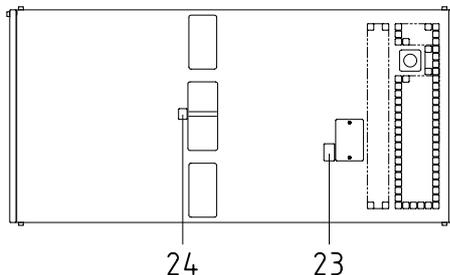
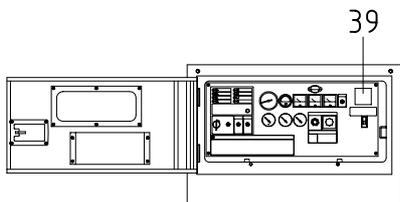
20 - 00 GENERATOR, MOUNTING & INTAKE

Ref. NO.	Part NO.	Inter-change ability	Part Name	Q'ty	C/H	Remarks	Ref. NO.	Part NO.	Inter-change ability	Part Name	Q'ty	C/H	Remarks
						45 65							45 65
20 - 00						GENERATOR GROUP							
1	20003 57603		Generator (Const. No. 2~10)	1		⊙	50	32320 67900		Pipe	1		⊙
	02135 10040		Bolt (for coupling)	8		⊙		02138 12025		Bolt	2		⊙
	02138 10055		Bolt (for casing)	10		⊙		03115 02012		Spring washer	2		⊙
	03115 02010		Spring washer	18		⊙		03116 12012		Plain washer	2		⊙
1	20003 61600		Generator (Const. No. 2~10)	1		⊙	51	32332 08101		Hose	1		⊙
	02135 10030		Bolt (for coupling)	8		⊙	52	32331 73600		Hose	1		⊙
	02138 10030		Bolt (for casing)	12		⊙	53	03511 20080		Hose clip	2		⊙
	03115 02010		Spring washer	20		⊙	53	03511 20080		Hose clip	7		⊙
2	25100 09101		A. C. G. rotor ass'y	1		⊙	54	03511 20090		Hose clip	1		
2	25100 09700		A. C. G. rotor ass'y	1		⊙	55	03511 20060		Hose clip	1		⊙
						(Incl. No. 3~5)	55	03511 20060		Hose clip	2		⊙
3	25650 01800		Surge absorber	1			56	03591 15070		Hose	1		
4	46921 08800		Silicon rectifier	1			57	03511 20028		Hose clip	2		
	02345 63012		Screw	2			58	43322 04100		Cushion	1		
	03115 02003		Spring washer	2			59	03425 00003		Vinyl clip	1		
	03116 12003		Plain washer	2									
5	25660 02400		Plate	1									
	02912 08006		Nut	4									
	03115 02006		Spring washer	4									
	03116 12006		Plain washer	4									
6	21472 15700		Bearing (6308ZZ)	1		⊙							
6	21472 15100		Bearing (6311ZZ)	1		⊙							
7	25200 11100		A. C. G. stator ass'y	1		⊙							
7	25200 11600		A. C. G. stator ass'y	1		⊙							
						(Incl. No. 8)							
8	25700 07600		EX. stator ass'y	1		⊙							
	02138 06040		Bolt	3		⊙							
	03115 02006		Spring washer	3		⊙							
	03116 12006		Plain washer	3		⊙							
	02138 10016		Bolt	2		⊙							
8	25700 07700		EX. stator ass'y	1		⊙							
	02138 06045		Bolt	3		⊙							
	03115 02006		Spring washer	3		⊙							
	03116 12006		Plain washer	3		⊙							
	02138 10016		Bolt	1		⊙							
9	25360 07100		Cover	1		⊙							
9	25360 07200		Cover	1		⊙							
	02248 06025		Bolt, w/w	1									
10	25310 09600		Casing	1		⊙							
	02138 08030		Bolt	4		⊙							
	03115 02008		Spring washer	4		⊙							
10	25310 09700		Casing	1		⊙							
	02138 08025		Bolt	6		⊙							
	03115 02008		Spring washer	6		⊙							
31 - 00						MOUNTING GROUP							
21	GG160 00100		Vibration isolator ass'y	2		⊙							
21	31130 10900		Vibration isolator ass'y	2		⊙							
	02915 00012		Hexagon flange nut	4									
	03116 12012		Plain washer	2		⊙							
22	GG160 00100		Vibration isolator ass'y	2									
	02915 00012		Hexagon flange nut	2									
	52744 02200		Washer	2									
23	31120 08900		Shim	1									
32 - 00						INTAKE GROUP							
41	32100 40900		Air filter ass'y	1		Const. No. 42~44							
	02201 08020		Flange bolt	2									
42	32143 11800		Element	1									
43	32142 08900		Cup	1									
44	32151 01600		Vacuator valve	1									
45	32148 03000		Filter, service indicator	1									
46	32331 73401		Hose	1									
47	32331 73500		Hose	1									
48	32320 67800		Pipe	1									
49	32331 73300		Hose	1		⊙							



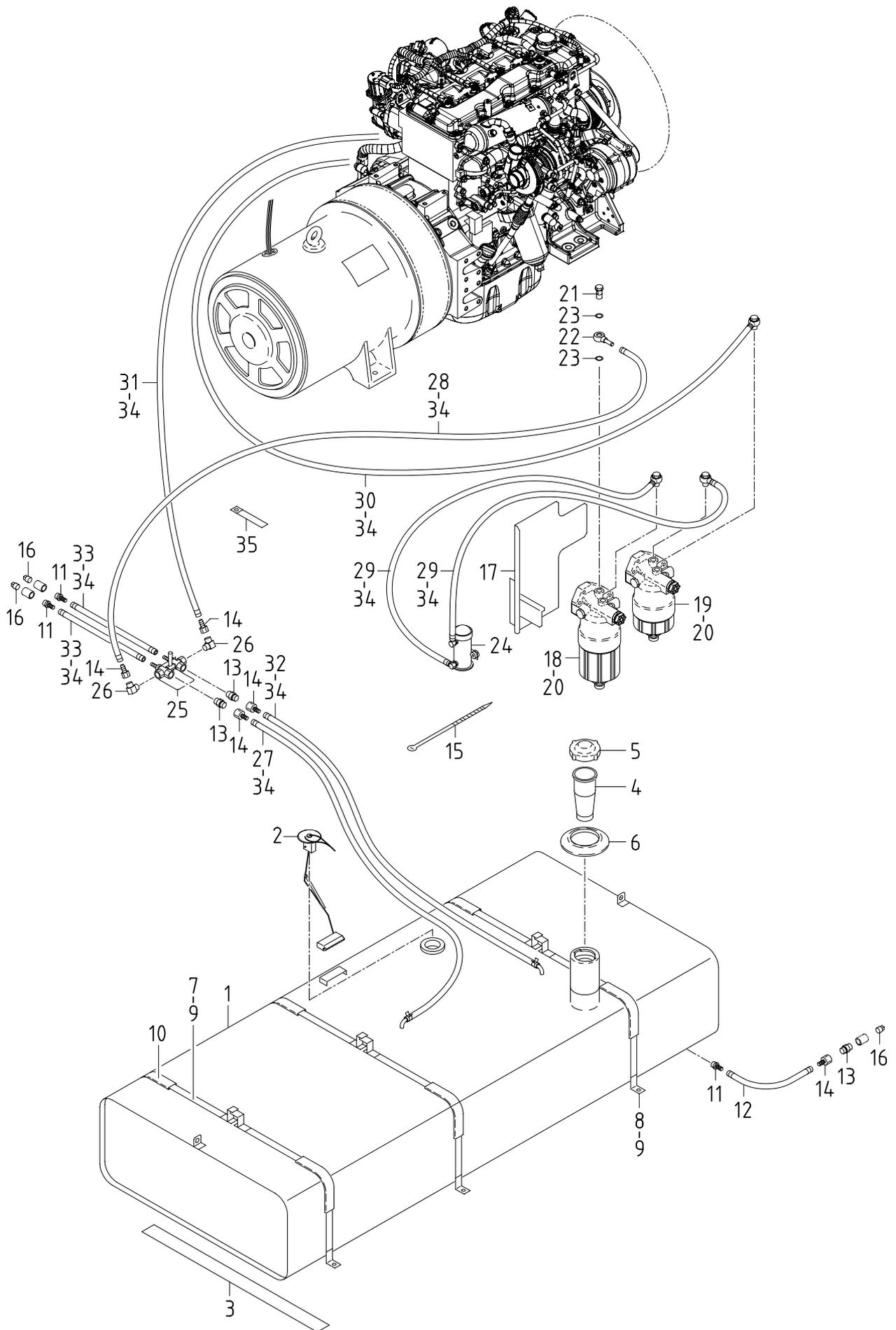
38 - 00 COOLING, ENGINE & EXHAUST

Ref. NO.	Part NO.	Inter-change ability	Part Name	Q'ty	C/H	Remarks	Ref. NO.	Part NO.	Inter-change ability	Part Name	Q'ty	C/H	Remarks
38 - 00 COOLING GROUP						45 65	42 - 00 EXHAUST GROUP						
1	38100 40400		Radiator (Incl. Cap & Valve)	1		⊙	101	42100 79400		Exhaust muffler	1		
	02201 08012		Flange bolt	4		⊙		02201 10020		Flange bolt	4		
1	38100 41700		Radiator (Incl. Cap & Valve)	1		⊙	102	42310 92400		Pipe, exhaust	1		
	02201 08012		Flange bolt	6		⊙		02915 01008		Hexagon flange nut	3		(for engine)
	38410 05800		Cap	1				02135 10030		Bolt	2		(for muffler)
	38469 01400		Valve (drain)	2				02912 04010		Nut	2		(for muffler)
2	38524 68200		Hose	1		⊙		03115 06010		Spring washer	2		(for muffler)
2	38524 67901		Hose	1		⊙		03116 15010		Plain washer	4		(for muffler)
3	38524 68300		Hose	1		⊙	103	42324 14500		Gasket	1		
3	38524 67800		Hose	1		⊙	104	42324 13600		Gasket	1		
4	03511 20060		Hose clip	2			105	42240 28201		Bracket	1		
5	03511 20070		Hose clip	2				02201 08020		Flange bolt	2		
6	38594 05800		Hose (drain)	1			106	03830 08004		U-bolt	1		
7	38920 02900		Inter cooler	1		⊙		02915 00008		Hexagon flange nut	2		
	02201 08020		Flange bolt	4		⊙							
8	38420 93400		Bracket	1		⊙							
9	03407 67030		Seal rubber	2		⊙							
10	03620 41003		Plug	1		⊙							
11	52350 45420		Cover	1		⊙							
11	52350 44521		Cover	1		⊙							
12	03407 67311		Seal rubber	2									
13	03407 66851		Seal rubber	2		⊙							
14	03407 66816		Seal rubber	2		⊙							
15	03407 66933		Seal rubber	1									
16	03407 66952		Seal rubber	1									
17	03407 66939		Seal rubber	2									
18	03403 00303		Grommet	1									
19	03403 00512		Grommet	1									
20	03403 00703		Grommet	1									
21	38440 03010		Shroud, fan	1		⊙							
21	38440 02610		Shroud, fan	1		⊙							
22	38440 03110		Shroud, fan	1		⊙							
22	38440 02711		Shroud, fan	1		⊙							
23	02915 00006		Hexagon flange nut	14		⊙							
23	02201 06016		Flange bolt	6		⊙							
	02915 00006		Hexagon flange nut	8		⊙							
24	38450 80600		Guard, fan	1		⊙							
24	38450 80100		Guard, fan	1		⊙							
25	38450 80700		Guard, fan	1		⊙							
25	38450 80200		Guard, fan	1		⊙							
26	38450 81200		Guard, fan	1									
27	38590 01200		Reserve tank ass'y	1									
28	03511 30185		Hose clip	1									
29	38591 00800		Bracket	1									
30	02201 06016		Flange bolt	19		⊙							
30	02201 06016		Flange bolt	20		⊙							
31	38594 05400		Hose	1									
32	38594 05100		Hose	1									
33	03511 40016		Hose clip	4									
34	03425 00001		Vinyl clip	6									
41 - 00 ENGINE GROUP													
61	* * *		Engine (ISUZU BU-4JJ1T)	1		⊙							
61	* * *		Engine (ISUZU BJ-4JJ1X)	1		⊙							
			(Belt: cooling fan: ISUZU 898038 8560)										
	37438 08700		Filter (Eng. oil)	1		(ISUZU 898018 8580)							
	43534 02102		Ring connector (Nipple)	1									
63	03407 16024		Gasket	2									
64	43532 05500		Nipple (Bolt)	1									
65	03735 13004		Valve	1									
66	37170 20100		Joint	1									
	02201 06016		Flange bolt	2									
67	03620 41004		Plug	1									
68	03580 19070		Hose	1									
69	03511 20035		Hose clip	2									
70	37170 02900		Joint	1									
71	52728 15710		Cushion rubber	1									



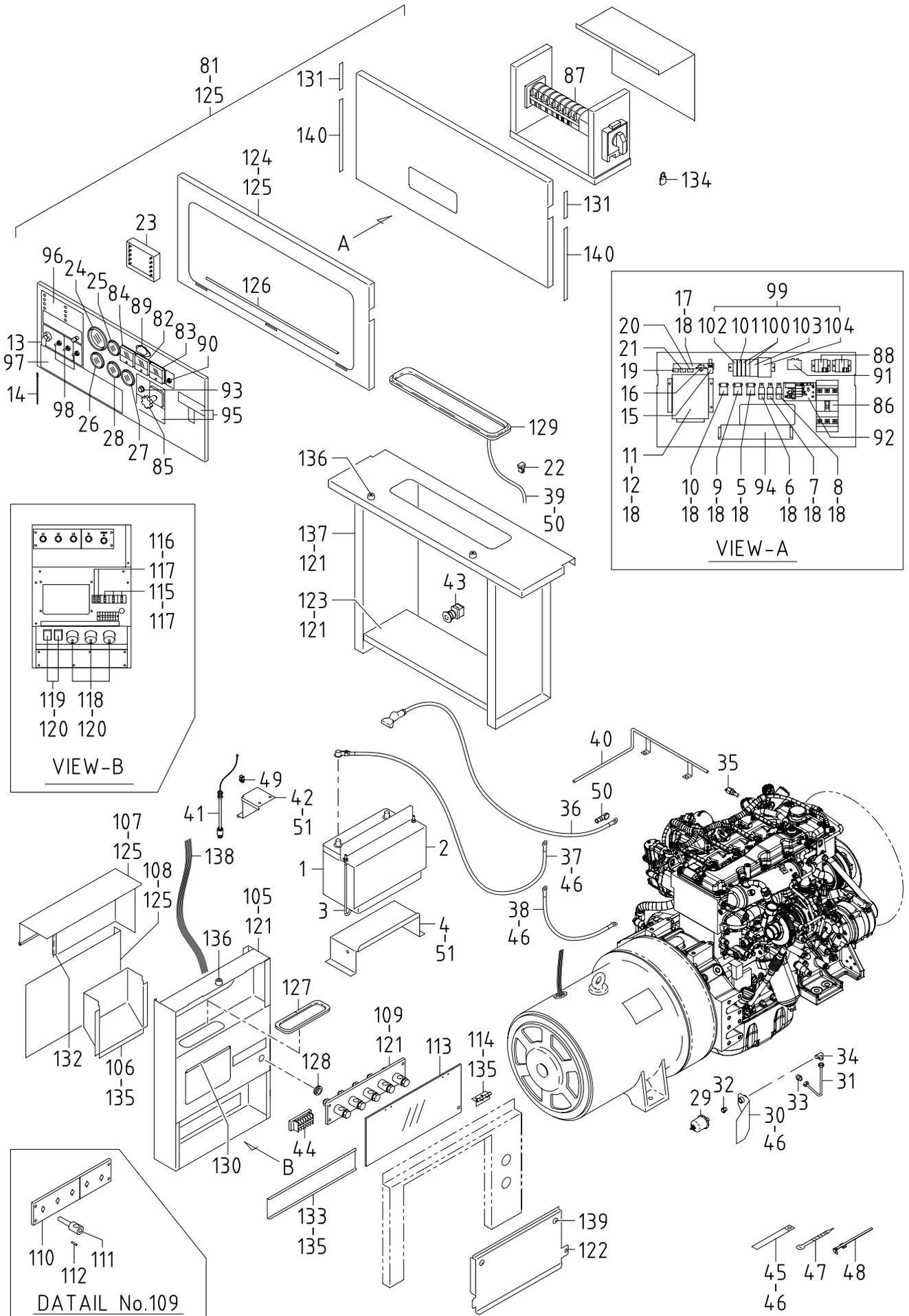
39 - 00 NAME PLATE

Ref. NO.	Part NO.	Inter-change ability	Part Name	Q'ty	C/H	Remarks	Ref. NO.	Part NO.	Inter-change ability	Part Name	Q'ty	C/H	Remarks
	39 - 00		ACCESSORY GROUP			45 65							
	39600 96520		Instruction book										
	39615 06900		Instruction book (Eng.)										
	39616 04300		Parts catalog (Eng.)										
1	39170 02000		Mark (AIRMAN)	1									
2	39178 64520		Plate (AIRMAN)	2		◎ ◎							
2-1	39178 30730	B	Plate (45)	2	M204	◎							
2-1	39178 29930	B	Plate (65)	2	M204	◎							
3	39103 46801		Plate (SER. NO.)	1									
	03260 03010		Blind rivet	4									
4	39178 23320	C	Plate (SDG45)	3	M204	◎							
4	39178 33030	C	Plate (SDG65)	3	M204	◎							
5	39178 23420	C	Plate (EQ)	2	M204								
6	39178 43110		Plate (california)	1									
7	39178 47610		Plate (emergency sw.)	1									
8	39176 88300		Plate (output)	1									
9	39176 62400		Plate (danger, high voltage)	1									
10	39173 02000		Plate, complete	1		Const. No. 11~12							
11	39176 85800	Z	Plate (terminal in)	1									
12	39176 85900	Z	Plate (terminal in)	1									
13	39176 62900		Plate (warning, electric shock)	1									
14	39152 23401		Plate (wiring chart)	1									
15	39178 87210		Plate (breaker)	1									
16	39178 50620		Plate (socket)	1									
17	39178 00310		Plate (LLC)	1									
18	39178 22030		Plate (No fire)	1		◎							
18	39176 35600		Plate (No fire)	1		◎							
19	39176 73300		Plate (warning, exhaust gases)	1									
20	39176 73500		Plate (warning, cooling fan)	1									
21	39176 73800		Plate (warning, pulley)	1									
22	39176 69500		Plate (caution, high temp.)	1									
23	39176 69600		Plate (caution, radiator cap)	1									
24	39176 69300		Plate (lift position)	1									
25	39173 03300		Plate, complete (Const. No. 26~30 & 32) (Const. No. 26~32)	1		◎ ◎							
26	39189 21300	Z	Plate (fuel drain)	1		◎							
27	39189 21400	Z	Plate (radiator drain)	1									
28	39189 21500	Z	Plate (eng. oil drain)	1									
29	39178 90520	Z	Plate (fuel inlet)	1									
30	39178 90620	Z	Plate (fuel return)	1									
31	39178 90720	Z	Plate (deasel fuel)	1		◎							
32	39189 21100	Z	Plate (containment drain)	1									
33	39178 49120		Plate (changed fuel refill)	1									
34	39176 50000		Plate (warning, battery)	1									
35	39178 55020	D	Plate (45)	1	M204	◎							
35	39178 55220	D	Plate (65)	1	M204	◎							
36	39178 54721	D	Plate (Power Pro)	2	M204								
37	39178 54820	D	Plate (Power Pro)	1	M204								
38	39178 53620	D	Plate (QUIETECH)	2	M204								
39	39178 80820	D	Plate (DELTA DEMAND)	2	M204								
40	39178 57720	D	Plate (MMD)	3	M216								



43 - 00 FUEL LINE

Ref. NO.	Part NO.	Inter-change ability	Part Name	Q' ty	C/H	Remarks	Ref. NO.	Part NO.	Inter-change ability	Part Name	Q' ty	C/H	Remarks
43 - 00			FUEL GROUP										
1	43100 70101		Fuel tank	1									
2	36159 03000		Sending unit	1									
	02415 65012		Screw, w/w	5									
3	38465 12600		Cushion rubber	3									
4	43210 01301		Strainer	1									
5	43220 01300		Cap	1									
6	43440 04600		Cover	1									
7	43310 27200		Belt	3									
8	43310 27300		Belt	3									
	02138 10070		Bolt	3									
	03115 02010		Spring washer	3									
	03116 12010		Plain washer	6									
	02912 08010		Nut	3									
9	02915 00008		Hexagon flange nut	6									
10	43322 06700		Cushion rubber	6									
11	37170 12700		Joint	3									
12	03570 09028		Hose	1									
	03511 20020		Hose clip	2									
13	03734 43030		Nipple	3									
13 -1	03734 43030	Q	Nipple	2	M192								
14	37170 20200		Joint	5									
15	03425 00003		Vinyl clip	14									
16	03620 41003		Plug	3									
17	43340 31800		Bracket	1									
	02201 08020		Flange bolt	3									
18	43540 07600		Filter ass'y	1		(ISUZU 898075 8551)							
	43543 00900		Filter, cartridge	1		(ISUZU 898075 8540)							
19	43540 07700		Filter ass'y	1		(ISUZU 898143 8260)							
	43543 01000		Filter, cartridge	1		(ISUZU 898143 0410)							
20	02283 10040		Bolt	4									
	02283 10070		Bolt	2									
	03115 40010		Spring washer	6									
21	43532 09000		Nipple	4									
22	43534 04800		Ring connector	4									
23	43531 01900		Gasket	8									
24	43650 02600		Fuel pump	1		(ISUZU 898068 2750)							
			(Filter: ISUZU 898071 4010 )										
	02138 06030		Bolt	2									
	03115 02006		Spring washer	2									
	03116 12006		Plain washer	2									
25	35483 10101		Stop valve	1									
	02201 06016		Flange bolt	2									
26	03734 44003		Nipple elbow	2									
27	03570 09100		Hose	1									
28	03570 09195		Hose	1									
28 -1	03570 09185	A	Hose	1	M197								
29	03570 09065		Hose	2									
30	03570 09175		Hose	1									
31	03570 09080		Hose	1									
31 -1	03570 09090	A	Hose	1	M197								
32	03570 09040		Hose	1									
33	03570 09008		Hose	2									
34	03511 10018		Hose clip	18									
35	03424 80010	C	Clip	1	M197								

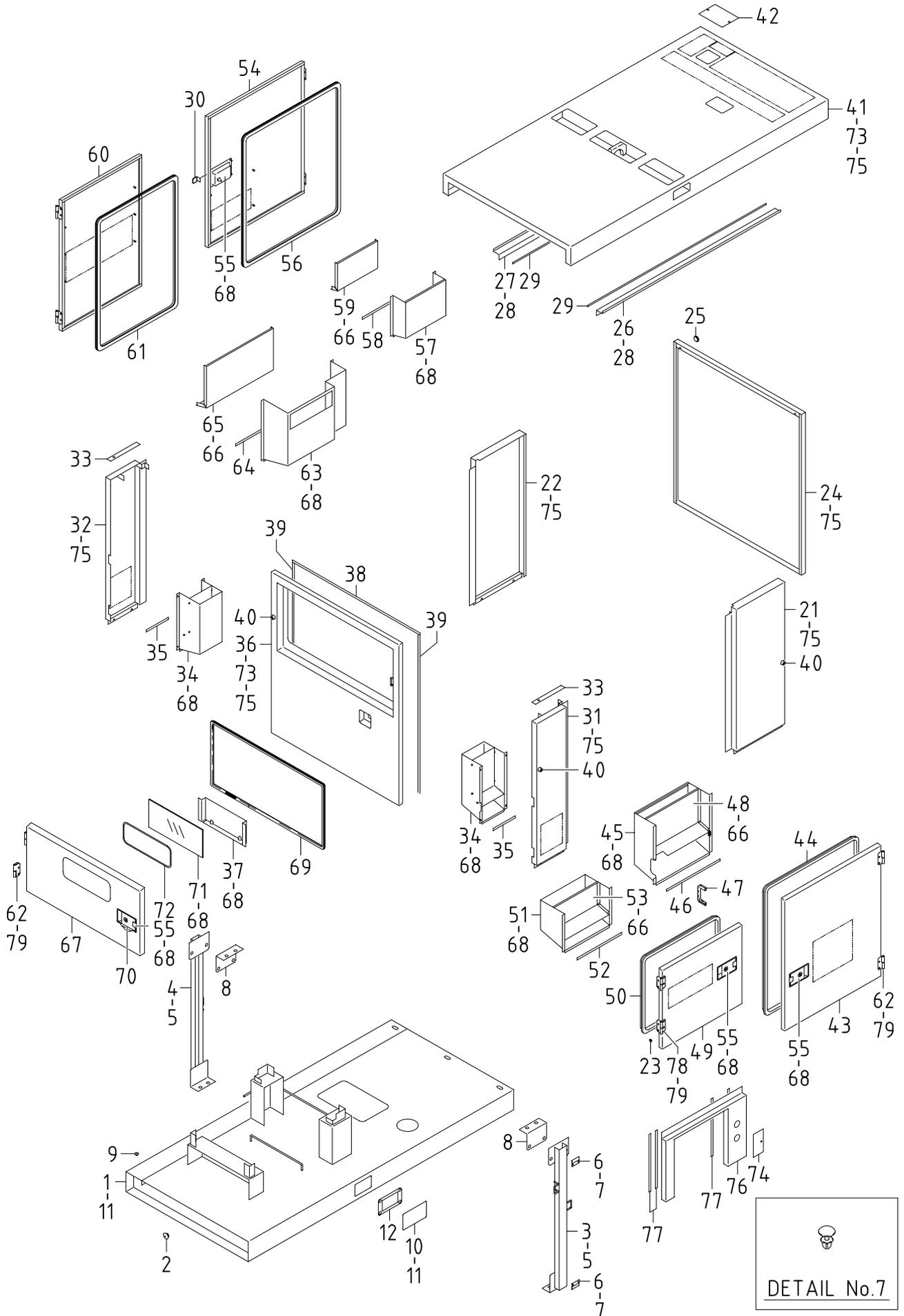


44 - 00 ELECTRIC

Ref. NO.	Part NO.	Inter-change ability	Part Name	Q'ty	C/H	Remarks	Ref. NO.	Part NO.	Inter-change ability	Part Name	Q'ty	C/H	Remarks
45 65						45 65							
44 - 00 ELECTRIC GROUP						46 - 00 ELECTRIC GROUP							
1	44210 06700		Battery	1		(95D31R)	81	46900 93101		Switch board ass'y	1		⊙
2	44220 24500		Cover	1			81	46900 92401		Switch board ass'y	1		⊙
3	44243 04501		Holder	2						(Const. No. 82~104)			
	02915 00008		Hexagon flange nut	2				02401 36025		Screw	4		(for cover)
4	44100 09500		Battery box	1				45214 01400		Washer	4		(for cover)
5	44346 13200		Relay(charge)	1			82	46153 04000		Voltmeter (AC)	1		
6	44346 08500		Relay(main)	1		(ISUZU 582550 0290)	83	46154 14500		Ammeter (AC)	1		⊙
7	44346 08500		Relay(starter cut)	1		(ISUZU 582550 0290)	83	46154 14400		Ammeter (AC)	1		⊙
8	44346 08500		Relay(fuel)	1		(ISUZU 582550 0290)	84	46911 01400		Frequency meter	1		
9	44346 15700		Relay(glow)	1		(ISUZU 897011 9490)	85	46913 01000		Transfer device	1		
10	44346 16100		Relay(starter)	1		(ISUZU 894248 1610)	86	46120 30200		Circuit breaker	1		⊙
11	44390 03000		Controller	1		⊙	86	46120 30100		Circuit breaker	1		⊙
			(ISUZU 898098 0760)				87	46917 01200		Change device, voltage	1		⊙
11	44390 02600		Controller	1		⊙				Change device, voltage	1		⊙
			(ISUZU 898098 0660)				87	46917 00900		Change device, voltage	1		⊙
12	44250 26410		Bracket	2						Current transformer	2		⊙
13	44322 02800		Starter switch	1		(ISUZU 894402 5000)	88	46923 04500		Current transformer	2		⊙
	52739 00600		Key	2			88	46923 02700		Current transformer	2		⊙
14	52660 04700		Hook	1			89	46929 01200		Illuminator	1		
	03260 03010		Blind rivet	1				46939 01300		Bulb	1		
15	44328 21500		Pressure switch	1		(ISUZU 897217 7780)	90	46167 02400		Select switch	1		
16	44364 06600		Thermo sensor	1		(ISUZU 812146 8300)	91	46928 01500		Thermal relay	1		
	02345 65020		Screw	2				46921 08600		Silicon rectifier	1		
	03115 02005		Spring washer	2			92	46950 02600		A.V.R ass'y	1		
	03116 12005		Plain washer	2			93	46918 01400		Controller	1		
17	44250 26311		Bracket	1				46991 00100		Knob	1		
18	02248 06016		Bolt, w/w	19			94	44311 51300		Terminal plate	1		
19	44470 01600		Fuse box	1				46311 02200		Plate	1		
	46934 03200		Fuse	1		(10A)	95	39178 50820		Plate(caution, switch)	1		
20	44470 01900		Fuse box	1			96	39178 22530		Plate(warning, electric)	1		
	46934 04400		Fuse	1		(15A)	97	39153 64900		Plate(notice)	1		
21	44470 01700		Fuse box	1			98	44500 02700		Switch panel ass'y	1		
	46934 03300		Fuse	1		(20A)	99	46760 46210		Control panel	1		Const. No. 100~104
22	44470 02300		Fuse box	1		(60A)	100	46177 08300		Relay	2		
23	46870 47901		Controller	1		(Emergency)	101	46177 08400		Relay	1		
24	36146 05901		Tachometer	1			102	46177 08500		Relay	1		
25	36158 00500		Gauge, fuel	1			103	46872 01300		Dc power supply	1		
26	36143 03600		Gauge, oil press.	1				46948 00900		Surge absorber	1		
27	36145 06800		Thermometer, water	1			104	46879 45800		Controller complete	1		
28	46154 15300		Ammeter	1			105	46470 88700		Box	1		
29	44365 00300		Oil pressure sender	1			106	46480 47900		Cover	1		
30	44250 33310		Bracket	1			107	44260 37400		Cover	1		
31	37156 00600		Pipe	1			108	44260 37801		Cover	1		
32	03732 00201		Bush	1			109	44311 66300		Terminal plate	1		Const. No. 110~112
33	03734 52010		Nipple	1			110	46305 09300		Plate	1		
34	03734 53021		Nipple elbow	1			111	46312 05100		Bolt	5		
35	44334 17600		Thermo switch	1				35208 04500		Bolt	5		
36	05105 22080		Cable	1		(batt. ~starter)		02912 03014		Nut	10		
	44465 00200	C	Terminal	1		M218		03115 02014		Spring washer	15		
	05625 00018	D	Terminal	1		M218		03116 14014		Plain washer	20		
	44462 06700		Insulator	1		(red)	112	03316 03016		Pin	10		
	02915 00008	D	Hexagon flange nut	1		M218	113	52416 27400		Window glass	1		
37	07808 41060		Cable	1		(batt. ~Eng. earth)		52640 02400		Bolt	1		
38	05138 23050		Cable	1		(earth)		45214 01400		Washer	1		
	02201 08020		Flange bolt	1			114	52480 13300		Hinge	2		
39	44490 66130		Wiring harness	1				02915 00006		Hexagon flange nut	8		
40	44290 44000		Guide	1			115	46120 26900		Circuit breaker	3		
	02108 10020		Bolt	2			116	46120 26800		Circuit breaker	2		
	03115 02010		Spring washer	2			117	02345 23008		Screw	16		
	03116 12010		Plain washer	2				03115 03003		Spring washer	16		
41	46813 08100		Level switch	1				03116 18003		Plain washer	16		
42	43350 02200		Bracket	1			118	44312 02800		Socket	3		
43	44336 03001		Button switch	1			119	44312 02900		Socket	2		
44	44311 65600		Terminal plate	1			120	02345 24020		Screw	10		
	02345 24020		Screw	2				02912 09004		Nut	10		
	03115 03004		Spring washer	2				03115 03004		Spring washer	10		
	03116 18004		Plain washer	2				03116 18004		Plain washer	20		
45	03424 80165		Clip	3			121	02201 08020		Flange bolt	16		
46	02248 12030		Bolt, w/w	7			122	52400 96610		Side cover	1		
47	03425 00001		Vinyl clip	22				02136 08035		Bolt	1		(side)
48	37181 03600		Clip	4				02912 08008		Nut	4		(side)
49	37181 03300		Clip	1				GH245 00600		Washer	8		(side)
50	44462 00800		Insulator	1				03116 12008		Plain washer	2		(side)
51	02201 06016		Flange bolt	6				02246 08016		Bolt, w/w	1		(front)

44 - 00 ELECTRIC

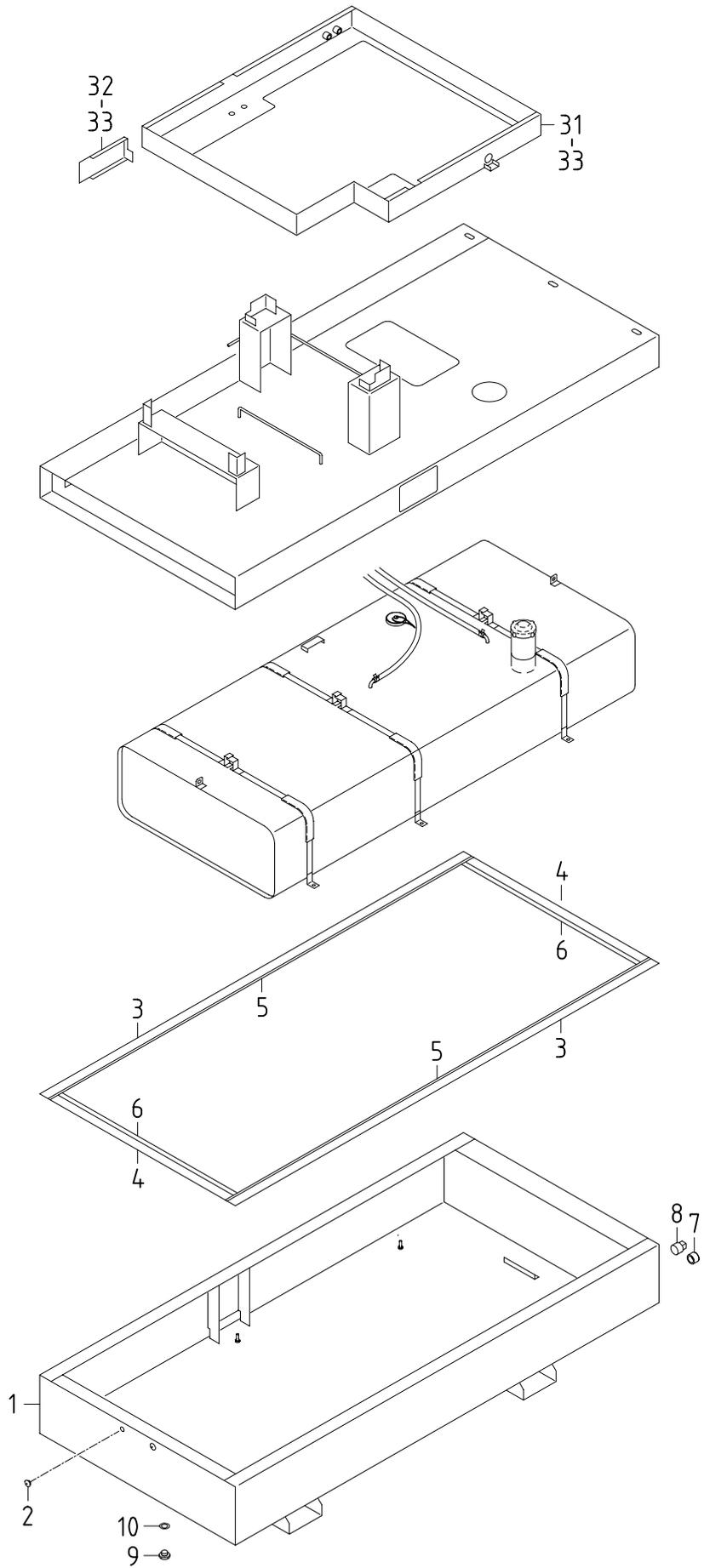
Ref. NO.	Part NO.	Inter-change ability	Part Name	Q' ty	C/H	Remarks	Ref. NO.	Part NO.	Inter-change ability	Part Name	Q' ty	C/H	Remarks
123	52350 44720		Bracket	1									
124	36120 16600		Plate	1									
125	02201 06016		Flange bolt	18									
126	03407 66716		Seal rubber	1									
127	03407 66505		Seal rubber	1									
128	03403 00252		Grommet	1									
129	03407 64703		Seal rubber	1									
130	03407 66512		Seal rubber	1									
131	03407 66871		Seal rubber	2									
132	03407 66507		Seal rubber	1									
133	46480 50500		Bracket	1									
134	52723 00100		Lock ass'y	1		(w. key)							
135	02401 26016		Screw	18									
136	31131 04100		Rubber, vibration isolator	3									
137	52350 44620		Cover	1									
138	44550 30000		Cable kit	1									
139	03403 10010		Grommet	2									
140	03407 66833		Seal rubber	2									



51 - 00 FRAME & BONNET

Ref. NO.	Part NO.	Inter-change ability	Part Name	Q' ty	C/H	Remarks	Ref. NO.	Part NO.	Inter-change ability	Part Name	Q' ty	C/H	Remarks
51 - 00 FRAME GROUP						45 65	45 65						
1	51100 12942		Frame	1		⊙	60	52450 04832		Door	1		
1	51100 12543		Frame	1		⊙	61	03407 64720		Seal rubber	1		
2	03403 10017		Grommet	4			62	52480 13800		Hinge	6		
3	52620 45400		Lifting bail	1			63	52370 66101		Duct	1		
4	52620 45500		Lifting bail	1			64	03407 66856		Seal rubber	1		
5	02135 16040		Bolt	8			65	52370 65801		Duct	1		
	03115 02016		Spring washer	8			66	52640 05100		Bolt	12		⊙
	03116 12016		Plain washer	12			66	52640 05100		Bolt	24		⊙
	02912 08016		Nut	4			67	52450 04930		Door	1		
6	52728 20810		Cushion rubber	4			68	02915 00006		Hexagon flange nut	46		⊙
7	52746 02400		Cap	8			68	02915 00006		Hexagon flange nut	54		⊙
8	52630 12300		Stay	2			69	03407 64740		Seal rubber	1		
	02135 16040		Bolt	4			70	52728 14810		Cushion rubber	1		
	03115 06016		Spring washer	4			71	52416 19800		Window glass	1		
	03116 15016		Plain washer	4			72	03407 67605		Seal rubber	1		
9	03403 10014		Grommet	4			73	02201 06016		Flange bolt	8		
10	52350 44421		Cover	2			74	52350 41920		Cover	1		
11	02201 06016		Flange bolt	9				02401 45016		Screw	4		
12	52728 23011		Cushion rubber	2				02915 00005		Hexagon flange nut	4		
52 - 00 BONNET GROUP							75	02201 08020		Flange bolt	21		
21	52100 68820		Cover	1			76	52160 41000		Bracket	1		
22	52100 69120		Cover	1				02401 46020		Screw	4		
23	03403 10010		Grommet	14				02136 06060		Bolt	2		
24	52830 41100		Cover	1				03115 06006		Spring washer	2		
25	52746 02100		Cap	1				03116 15006		Plain washer	2		
26	52160 40700		Bracket	1			77	03407 66819		Seal rubber	4		
27	52160 41800		Bracket	1			78	52480 14400		Hinge	4		
28	02401 46012		Screw	10			79	02138 08016		Bolt	40		
29	03407 68144		Seal rubber	2									
30	52160 34600		Bracket	1									
	02401 24012		Screw	2									
	52746 01900		Cap(protector)	1									
31	52100 68220		Cover	1									
	02401 26016		Screw	1									
32	52100 68320		Cover	1									
33	52728 17610		Cushion rubber	2									
34	52370 66200		Duct	2									
35	03407 66861		Seal rubber	2									
36	52100 69020		Cover	1									
	02246 08050		Bolt, w/w	2									
37	39200 04302		Tool box	1									
38	03407 66863		Seal rubber	1									
39	03407 66848		Seal rubber	2									
40	31131 04100		Rubber, vibration isolator	5									
41	52300 05520		Top cover	1		⊙							
41	52300 04420		Top cover	1		⊙							
42	52350 89010		Cover	1									
	02246 08016		Bolt, w/w	2									
43	52450 05232		Door	1									
	02401 24012		Screw	2									
44	03407 64751		Seal rubber	1									
45	52370 65901		Duct	1									
46	03407 66866		Seal rubber	1									
47	03407 65710		Seal rubber	1		⊙							
47	03407 67232		Seal rubber	1		⊙							
48	52370 66301		Duct	1									
49	52450 11531		Door	1		⊙							
49	52450 05032		Door	1		⊙							
50	03407 64746		Seal rubber	1									
51	52370 67500		Duct	1		⊙							
52	03407 66839		Seal rubber	1		⊙							
53	52370 67600		Duct	1		⊙							
54	52450 11631		Door	1		⊙							
54	52450 05132		Door	1		⊙							
55	52710 03601		Latch ass'y	4									
	52739 03700		Key (R200)	4									
56	03407 64745		Seal rubber	1									
57	52370 67700		Duct	1		⊙							
58	03407 66849		Seal rubber	1		⊙							
59	52370 67800		Duct	1		⊙							

51 - 01 OIL FENCE

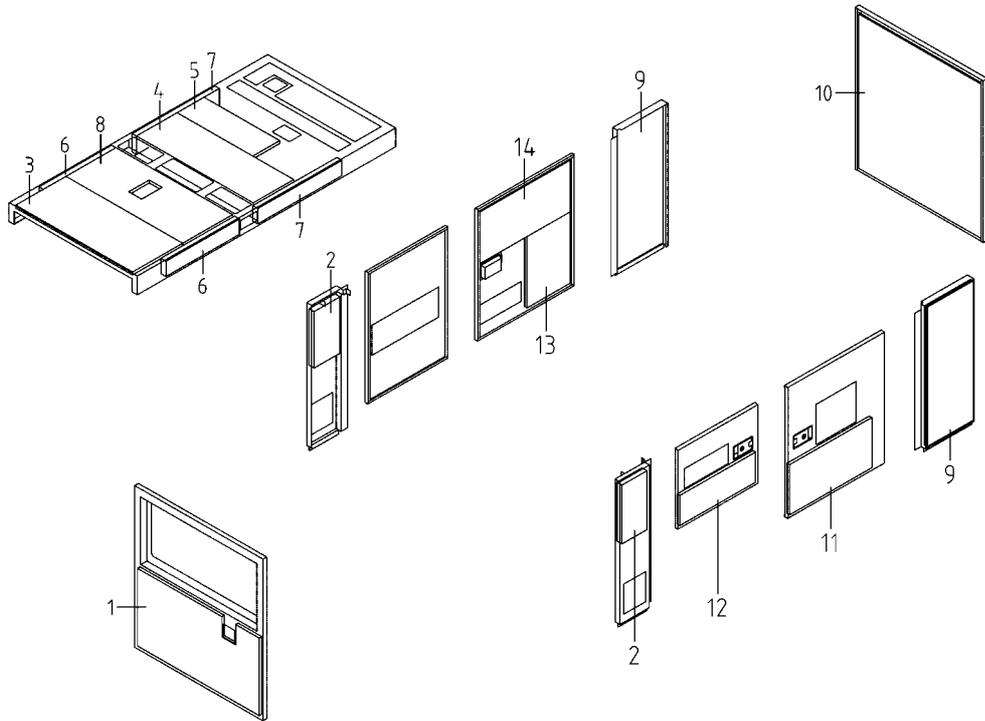


51 - 01 OIL FENCE

Ref. NO.	Part NO.	Inter-change ability	Part Name	Q' ty	C/H	Remarks	Ref. NO.	Part NO.	Inter-change ability	Part Name	Q' ty	C/H	Remarks
51 - 01 FRAME GROUP													
1	51100 12741		Frame	1									
	02473 12025		Stud bolt	6									
	52744 01400		Washer	6									
	02914 20012		Cap nut	6									
	03115 02012		Spring washer	6									
	03116 12012		Plain washer	6									
2	03403 10017		Grommet	2									
3	52728 24810		Cushion rubber	2									
4	38465 17400		Cushion rubber	2									
5	52728 24910		Cushion rubber	2									
6	52728 25010		Cushion rubber	2									
7	03731 60006		Cap	1									
8	03620 41008		Plug	1									
9	03620 20022		Plug	1									
10	03403 20122		Gasket	1									
52 - 01 BONNET GROUP													
31	52160 41600		Bracket	1									
32	52160 41700		Bracket	1									
33	02201 06016		Flange bolt	11									

52 - 00 LINING

Ref. NO.	Part NO.	Inter-changeability	Part Name	Q'ty	C/H	Remarks	Ref. NO.	Part NO.	Inter-changeability	Part Name	Q'ty	C/H	Remarks
	52900 91810		URETHANE FOAM KIT			45 ◎							
	52900 90310		URETHANE FOAM KIT			◎							
1	52931 74020		Lining	1									
2	52959 34150		Lining	2									
3	52959 48250		Lining	1									
4	52959 48350		Lining	1									
5	52959 77830		Lining	1									
6	52959 38350		Lining	2									
7	52959 95740		Lining	2									
8	52931 74420		Lining	1									
9	52919 56920		Lining	2									
10	52919 02230		Lining	1									
11	52988 47700		Lining	1									
12	52989 32800		Lining	1		◎							
12	52988 47800		Lining	1		◎	◎						
13	52989 33000		Lining	1		◎							
13	52988 47900		Lining	1			◎						
14	52988 48000		Lining	1			◎						



# I N D E X

PART NO.	PAGE	REF. NO.	PART NO.	PAGE	REF. NO.	PART NO.	PAGE	REF. NO.
02108 10020	44 - 2	40	02345 24020	44 - 2	120	03115 03003	44 - 2	117
02135 10030	20 - 2	1	02345 63012	20 - 2	4	03115 03004	44 - 2	44
02135 10030	38 - 2	102	02345 65020	44 - 2	16	03115 03004	44 - 2	120
02135 10040	20 - 2	1	02401 24012	51 - 2	30	03115 06006	51 - 2	76
02135 16040	51 - 2	5	02401 24012	51 - 2	43	03115 06010	38 - 2	102
02135 16040	51 - 2	8	02401 26016	44 - 3	135	03115 06016	51 - 2	8
02136 06060	51 - 2	76	02401 26016	51 - 2	31	03115 40010	43 - 2	20
02136 08035	44 - 2	122	02401 36025	44 - 2	81	03116 12003	20 - 2	4
02138 06030	43 - 2	24	02401 45016	51 - 2	74	03116 12005	44 - 2	16
02138 06040	20 - 2	8	02401 46012	51 - 2	28	03116 12006	20 - 2	5
02138 06045	20 - 2	8	02401 46020	51 - 2	76	03116 12006	20 - 2	8
02138 08016	51 - 2	79	02415 65012	43 - 2	2	03116 12006	20 - 2	8
02138 08025	20 - 2	10	02473 12025	51 - 4	1	03116 12006	43 - 2	24
02138 08030	20 - 2	10	02912 03014	44 - 2	111	03116 12008	44 - 2	122
02138 10016	20 - 2	8	02912 04010	38 - 2	102	03116 12010	43 - 2	8
02138 10016	20 - 2	8	02912 08006	20 - 2	5	03116 12010	44 - 2	40
02138 10030	20 - 2	1	02912 08008	44 - 2	122	03116 12012	20 - 2	21
02138 10055	20 - 2	1	02912 08010	43 - 2	8	03116 12012	20 - 2	50
02138 10070	43 - 2	8	02912 08016	51 - 2	5	03116 12012	51 - 4	1
02138 12025	20 - 2	50	02912 09004	44 - 2	120	03116 12016	51 - 2	5
02201 06016	38 - 2	23	02914 20012	51 - 4	1	03116 14014	44 - 2	111
02201 06016	38 - 2	30	02915 00005	51 - 2	74	03116 15006	51 - 2	76
02201 06016	38 - 2	30	02915 00006	38 - 2	23	03116 15010	38 - 2	102
02201 06016	38 - 2	66	02915 00006	38 - 2	23	03116 15016	51 - 2	8
02201 06016	43 - 2	25	02915 00006	44 - 2	114	03116 18003	44 - 2	117
02201 06016	44 - 2	51	02915 00006	51 - 2	68	03116 18004	44 - 2	44
02201 06016	44 - 3	125	02915 00006	51 - 2	68	03116 18004	44 - 2	120
02201 06016	51 - 2	11	02915 00008	38 - 2	106	03260 03010	39 - 2	3
02201 06016	51 - 2	73	02915 00008	43 - 2	9	03260 03010	44 - 2	14
02201 06016	51 - 4	33	02915 00008	44 - 2	3	03316 03016	44 - 2	112
02201 08012	38 - 2	1	02915 00008	44 - 2	36	03403 00252	44 - 3	128
02201 08012	38 - 2	1	02915 00012	20 - 2	21	03403 00303	38 - 2	18
02201 08020	20 - 2	41	02915 00012	20 - 2	22	03403 00512	38 - 2	19
02201 08020	38 - 2	7	02915 01008	38 - 2	102	03403 00703	38 - 2	20
02201 08020	38 - 2	105	03115 02003	20 - 2	4	03403 10010	44 - 3	139
02201 08020	43 - 2	17	03115 02005	44 - 2	16	03403 10010	51 - 2	23
02201 08020	44 - 2	38	03115 02006	20 - 2	5	03403 10014	51 - 2	9
02201 08020	44 - 2	121	03115 02006	20 - 2	8	03403 10017	51 - 2	2
02201 08020	51 - 2	75	03115 02006	20 - 2	8	03403 10017	51 - 4	2
02201 10020	38 - 2	101	03115 02006	43 - 2	24	03403 20122	51 - 4	10
02246 08016	44 - 2	122	03115 02008	20 - 2	10	03407 16024	38 - 2	63
02246 08016	51 - 2	42	03115 02008	20 - 2	10	03407 64703	44 - 3	129
02246 08050	51 - 2	36	03115 02010	20 - 2	1	03407 64720	51 - 2	61
02248 06016	44 - 2	18	03115 02010	20 - 2	1	03407 64740	51 - 2	69
02248 06025	20 - 2	9	03115 02010	43 - 2	8	03407 64745	51 - 2	56
02248 12030	44 - 2	46	03115 02010	44 - 2	40	03407 64746	51 - 2	50
02283 10040	43 - 2	20	03115 02012	20 - 2	50	03407 64751	51 - 2	44
02283 10070	43 - 2	20	03115 02012	51 - 4	1	03407 65710	51 - 2	47
02345 23008	44 - 2	117	03115 02014	44 - 2	111	03407 66505	44 - 3	127
02345 24020	44 - 2	44	03115 02016	51 - 2	5	03407 66507	44 - 3	132

# I N D E X

PART NO.	PAGE	REF. NO.	PART NO.	PAGE	REF. NO.	PART NO.	PAGE	REF. NO.
03407 66512	44 - 3	130	03570 09195	43 - 2	28	32331 73500	20 - 2	47
03407 66716	44 - 3	126	03580 19070	38 - 2	68	32331 73600	20 - 2	52
03407 66816	38 - 2	14	03591 15070	20 - 2	56	32332 08101	20 - 2	51
03407 66819	51 - 2	77	03620 20022	51 - 4	9	35208 04500	44 - 2	111
03407 66833	44 - 3	140	03620 41003	38 - 2	10	35483 10101	43 - 2	25
03407 66839	51 - 2	52	03620 41003	43 - 2	16	36120 16600	44 - 3	124
03407 66848	51 - 2	39	03620 41004	38 - 2	67	36143 03600	44 - 2	26
03407 66849	51 - 2	58	03620 41008	51 - 4	8	36145 06800	44 - 2	27
03407 66851	38 - 2	13	03731 60006	51 - 4	7	36146 05901	44 - 2	24
03407 66856	51 - 2	64	03732 00201	44 - 2	32	36158 00500	44 - 2	25
03407 66861	51 - 2	35	03734 43030	43 - 2	13	36159 03000	43 - 2	2
03407 66863	51 - 2	38	03734 43030	43 - 2	13-1	37156 00600	44 - 2	31
03407 66866	51 - 2	46	03734 44003	43 - 2	26	37170 02900	38 - 2	70
03407 66871	44 - 3	131	03734 52010	44 - 2	33	37170 12700	43 - 2	11
03407 66933	38 - 2	15	03734 53021	44 - 2	34	37170 20100	38 - 2	66
03407 66939	38 - 2	17	03735 13004	38 - 2	65	37170 20200	43 - 2	14
03407 66952	38 - 2	16	03830 08004	38 - 2	106	37181 03300	44 - 2	49
03407 67030	38 - 2	9	05105 22080	44 - 2	36	37181 03600	44 - 2	48
03407 67232	51 - 2	47	05138 23050	44 - 2	38	37438 08700	38 - 2	61
03407 67311	38 - 2	12	05625 00018	44 - 2	36	38100 40400	38 - 2	1
03407 67605	51 - 2	72	07808 41060	44 - 2	37	38100 41700	38 - 2	1
03407 68144	51 - 2	29	20003 57603	20 - 2	1	38410 05800	38 - 2	1
03424 80010	43 - 2	35	20003 61600	20 - 2	1	38420 93400	38 - 2	8
03424 80165	44 - 2	45	21472 15100	20 - 2	6	38440 02610	38 - 2	21
03425 00001	38 - 2	34	21472 15700	20 - 2	6	38440 02711	38 - 2	22
03425 00001	44 - 2	47	25100 09101	20 - 2	2	38440 03010	38 - 2	21
03425 00003	20 - 2	59	25100 09700	20 - 2	2	38440 03110	38 - 2	22
03425 00003	43 - 2	15	25200 11100	20 - 2	7	38450 80100	38 - 2	24
03511 10018	43 - 2	34	25200 11600	20 - 2	7	38450 80200	38 - 2	25
03511 20020	43 - 2	12	25310 09600	20 - 2	10	38450 80600	38 - 2	24
03511 20028	20 - 2	57	25310 09700	20 - 2	10	38450 80700	38 - 2	25
03511 20035	38 - 2	69	25360 07100	20 - 2	9	38450 81200	38 - 2	26
03511 20060	20 - 2	55	25360 07200	20 - 2	9	38465 12600	43 - 2	3
03511 20060	20 - 2	55	25650 01800	20 - 2	3	38465 17400	51 - 4	4
03511 20060	38 - 2	4	25660 02400	20 - 2	5	38469 01400	38 - 2	1
03511 20070	38 - 2	5	25700 07600	20 - 2	8	38524 67800	38 - 2	3
03511 20080	20 - 2	53	25700 07700	20 - 2	8	38524 67901	38 - 2	2
03511 20080	20 - 2	53	31120 08900	20 - 2	23	38524 68200	38 - 2	2
03511 20090	20 - 2	54	31130 10900	20 - 2	21	38524 68300	38 - 2	3
03511 30185	38 - 2	28	31131 04100	44 - 3	136	38590 01200	38 - 2	27
03511 40016	38 - 2	33	31131 04100	51 - 2	40	38591 00800	38 - 2	29
03570 09008	43 - 2	33	32100 40900	20 - 2	41	38594 05100	38 - 2	32
03570 09028	43 - 2	12	32142 08900	20 - 2	43	38594 05400	38 - 2	31
03570 09040	43 - 2	32	32143 11800	20 - 2	42	38594 05800	38 - 2	6
03570 09065	43 - 2	29	32148 03000	20 - 2	45	38920 02900	38 - 2	7
03570 09080	43 - 2	31	32151 01600	20 - 2	44	39103 46801	39 - 2	3
03570 09090	43 - 2	31-1	32320 67800	20 - 2	48	39152 23401	39 - 2	14
03570 09100	43 - 2	27	32320 67900	20 - 2	50	39153 64900	44 - 2	97
03570 09175	43 - 2	30	32331 73300	20 - 2	49	39170 02000	39 - 2	1
03570 09185	43 - 2	28-1	32331 73401	20 - 2	46	39173 02000	39 - 2	10

# I N D E X

PART NO.	PAGE	REF. NO.	PART NO.	PAGE	REF. NO.	PART NO.	PAGE	REF. NO.			
39173	03300	39 - 2	25	43210	01301	43 - 2	4	44465	00200	44 - 2	36
39176	35600	39 - 2	18	43220	01300	43 - 2	5	44470	01600	44 - 2	19
39176	50000	39 - 2	34	43310	27200	43 - 2	7	44470	01700	44 - 2	21
39176	62400	39 - 2	9	43310	27300	43 - 2	8	44470	01900	44 - 2	20
39176	62900	39 - 2	13	43322	04100	20 - 2	58	44470	02300	44 - 2	22
39176	69300	39 - 2	24	43322	06700	43 - 2	10	44490	66130	44 - 2	39
39176	69500	39 - 2	22	43340	31800	43 - 2	17	44500	02700	44 - 2	98
39176	69600	39 - 2	23	43350	02200	44 - 2	42	44550	30000	44 - 3	138
39176	73300	39 - 2	19	43440	04600	43 - 2	6	45214	01400	44 - 2	81
39176	73500	39 - 2	20	43531	01900	43 - 2	23	45214	01400	44 - 2	113
39176	73800	39 - 2	21	43532	05500	38 - 2	64	46120	26800	44 - 2	116
39176	85800	39 - 2	11	43532	09000	43 - 2	21	46120	26900	44 - 2	115
39176	85900	39 - 2	12	43534	02102	38 - 2	62	46120	30100	44 - 2	86
39176	88300	39 - 2	8	43534	04800	43 - 2	22	46120	30200	44 - 2	86
39178	00310	39 - 2	17	43540	07600	43 - 2	18	46153	04000	44 - 2	82
39178	22030	39 - 2	18	43540	07700	43 - 2	19	46154	14400	44 - 2	83
39178	22530	44 - 2	96	43543	00900	43 - 2	18	46154	14500	44 - 2	83
39178	23320	39 - 2	4	43543	01000	43 - 2	19	46154	15300	44 - 2	28
39178	23420	39 - 2	5	43650	02600	43 - 2	24	46167	02400	44 - 2	90
39178	29930	39 - 2	2-1	44100	09500	44 - 2	4	46177	08300	44 - 2	100
39178	30730	39 - 2	2-1	44210	06700	44 - 2	1	46177	08400	44 - 2	101
39178	33030	39 - 2	4	44220	24500	44 - 2	2	46177	08500	44 - 2	102
39178	43110	39 - 2	6	44243	04501	44 - 2	3	46305	09300	44 - 2	110
39178	47610	39 - 2	7	44250	26311	44 - 2	17	46311	02200	44 - 2	94
39178	49120	39 - 2	33	44250	26410	44 - 2	12	46312	05100	44 - 2	111
39178	50620	39 - 2	16	44250	33310	44 - 2	30	46470	88700	44 - 2	105
39178	50820	44 - 2	95	44260	37400	44 - 2	107	46480	47900	44 - 2	106
39178	53620	39 - 2	38	44260	37801	44 - 2	108	46480	50500	44 - 3	133
39178	54721	39 - 2	36	44290	44000	44 - 2	40	46760	46210	44 - 2	99
39178	54820	39 - 2	37	44311	51300	44 - 2	94	46813	08100	44 - 2	41
39178	55020	39 - 2	35	44311	65600	44 - 2	44	46870	47901	44 - 2	23
39178	55220	39 - 2	35	44311	66300	44 - 2	109	46872	01300	44 - 2	103
39178	57720	39 - 2	40	44312	02800	44 - 2	118	46879	45800	44 - 2	104
39178	64520	39 - 2	2	44312	02900	44 - 2	119	46900	92401	44 - 2	81
39178	80820	39 - 2	39	44322	02800	44 - 2	13	46900	93101	44 - 2	81
39178	87210	39 - 2	15	44328	21500	44 - 2	15	46911	01400	44 - 2	84
39178	90520	39 - 2	29	44334	17600	44 - 2	35	46913	01000	44 - 2	85
39178	90620	39 - 2	30	44336	03001	44 - 2	43	46917	00900	44 - 2	87
39178	90720	39 - 2	31	44346	08500	44 - 2	6	46917	01200	44 - 2	87
39189	21100	39 - 2	32	44346	08500	44 - 2	7	46918	01400	44 - 2	93
39189	21300	39 - 2	26	44346	08500	44 - 2	8	46921	08600	44 - 2	91
39189	21400	39 - 2	27	44346	13200	44 - 2	5	46921	08800	20 - 2	4
39189	21500	39 - 2	28	44346	15700	44 - 2	9	46923	02700	44 - 2	88
39200	04302	51 - 2	37	44346	16100	44 - 2	10	46923	04500	44 - 2	88
42100	79400	38 - 2	101	44364	06600	44 - 2	16	46928	01500	44 - 2	91
42240	28201	38 - 2	105	44365	00300	44 - 2	29	46929	01200	44 - 2	89
42310	92400	38 - 2	102	44390	02600	44 - 2	11	46934	03200	44 - 2	19
42324	13600	38 - 2	104	44390	03000	44 - 2	11	46934	03300	44 - 2	21
42324	14500	38 - 2	103	44462	00800	44 - 2	50	46934	04400	44 - 2	20
43100	70101	43 - 2	1	44462	06700	44 - 2	36	46939	01300	44 - 2	89

# I N D E X

PART NO.	PAGE	REF. NO.	PART NO.	PAGE	REF. NO.	PART NO.	PAGE	REF. NO.
46948	00900	44 - 2	103	52630	12300	51 - 2	8	
46950	02600	44 - 2	92	52640	02400	44 - 2	113	
46991	00100	44 - 2	93	52640	05100	51 - 2	66	
51100	12543	51 - 2	1	52640	05100	51 - 2	66	
51100	12741	51 - 4	1	52660	04700	44 - 2	14	
51100	12942	51 - 2	1	52710	03601	51 - 2	55	
52100	68220	51 - 2	31	52723	00100	44 - 3	134	
52100	68320	51 - 2	32	52728	14810	51 - 2	70	
52100	68820	51 - 2	21	52728	15710	38 - 2	71	
52100	69020	51 - 2	36	52728	17610	51 - 2	33	
52100	69120	51 - 2	22	52728	20810	51 - 2	6	
52160	34600	51 - 2	30	52728	23011	51 - 2	12	
52160	40700	51 - 2	26	52728	24810	51 - 4	3	
52160	41000	51 - 2	76	52728	24910	51 - 4	5	
52160	41600	51 - 4	31	52728	25010	51 - 4	6	
52160	41700	51 - 4	32	52739	00600	44 - 2	13	
52160	41800	51 - 2	27	52739	03700	51 - 2	55	
52300	04420	51 - 2	41	52744	01400	51 - 4	1	
52300	05520	51 - 2	41	52744	02200	20 - 2	22	
52350	41920	51 - 2	74	52746	01900	51 - 2	30	
52350	44421	51 - 2	10	52746	02100	51 - 2	25	
52350	44521	38 - 2	11	52746	02400	51 - 2	7	
52350	44620	44 - 3	137	52830	41100	51 - 2	24	
52350	44720	44 - 3	123	52919	02230	52 - 1	10	
52350	45420	38 - 2	11	52919	56920	52 - 1	9	
52350	89010	51 - 2	42	52931	74020	52 - 1	1	
52370	65801	51 - 2	65	52931	74420	52 - 1	8	
52370	65901	51 - 2	45	52959	34150	52 - 1	2	
52370	66101	51 - 2	63	52959	38350	52 - 1	6	
52370	66200	51 - 2	34	52959	48250	52 - 1	3	
52370	66301	51 - 2	48	52959	48350	52 - 1	4	
52370	67500	51 - 2	51	52959	77830	52 - 1	5	
52370	67600	51 - 2	53	52959	95740	52 - 1	7	
52370	67700	51 - 2	57	52988	47700	52 - 1	11	
52370	67800	51 - 2	59	52988	47800	52 - 1	12	
52400	96610	44 - 2	122	52988	47900	52 - 1	13	
52416	19800	51 - 2	71	52988	48000	52 - 1	14	
52416	27400	44 - 2	113	52989	32800	52 - 1	12	
52450	04832	51 - 2	60	52989	33000	52 - 1	13	
52450	04930	51 - 2	67	GG160	00100	20 - 2	21	
52450	05032	51 - 2	49	GG160	00100	20 - 2	22	
52450	05132	51 - 2	54	GH245	00600	44 - 2	122	
52450	05232	51 - 2	43					
52450	11531	51 - 2	49					
52450	11631	51 - 2	54					
52480	13300	44 - 2	114					
52480	13800	51 - 2	62					
52480	14400	51 - 2	78					
52620	45400	51 - 2	3					
52620	45500	51 - 2	4					

**HOKUETSU INDUSTRIES CO., LTD.**

8TH FLOOR SHINJUKU SAN-EI BLDG,  
22-2 NISHI-SHINJUKU 1-CHOME, SHINJUKU-KU  
TOKYO 160-0023 JAPAN  
TEL:81-3-3348-7281  
FAX:81-3-3348-7289  
URL:<http://www.airman.co.jp>

Copyright(C)2008 HOKUETSU INDUSTRIES CO., LTD. All Rights Reserved

0906-03  
CAT. NO. 39546 84000



**AIRMAN**  
HOKUETSU INDUSTRIES CO., LTD.