

**AIRMAN**

---

**SG**

---

**PARTS CATALOG**

**ENGINE GENERATOR**

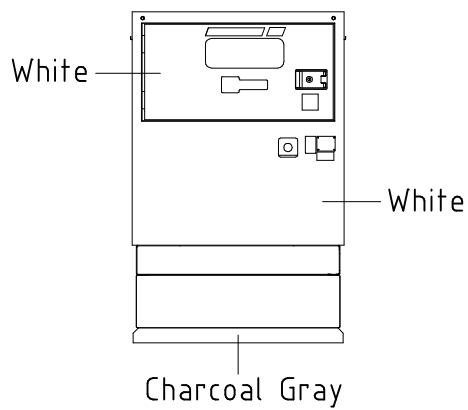
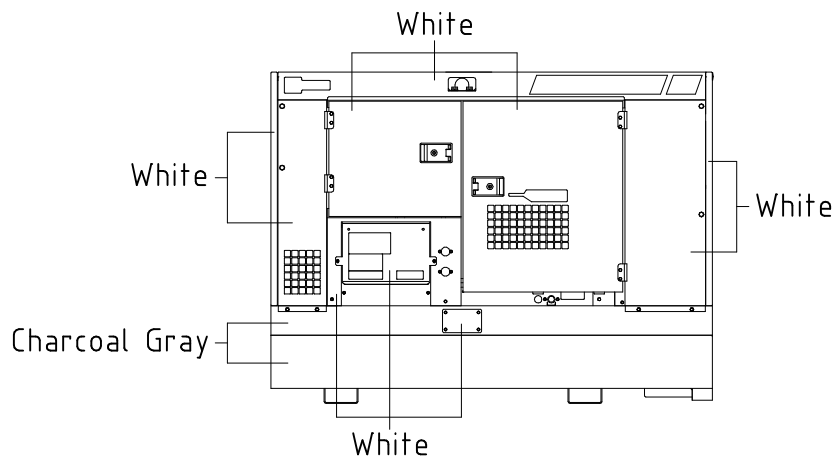
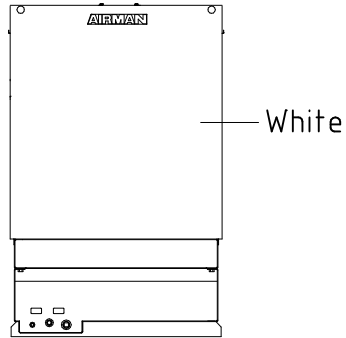
**SDG45S-8B2**

FOR MODEL

MODEL	SER. NO.
SDG45S-8B2	1338B20051~

# STANDARD PAINTING

---



# NOTICE

1. This parts catalog contains all the parts and assemblies of "AIRMAN" brand products. The complete unit is divided into several parts groups, the details of which are clearly illustrated, and completely listed. So desired part number, name and quantity can be easily determined referring to Ref. No.

2. When you place order for service parts, please be sure to advise us of the following information.

- (1) Part number.
- (2) Quantity required.
- (3) Part name.
- (4) Model name and Serial number.

3. How to read parts catalog.

(1) Ref. No.

Reference number (Ref. No.) is to be used for locating the part number and name from the illustrations. (However some parts such as bolts and nuts etc., are not illustrated but their reference numbers only listed.)

Ref. No. 1, 1-1, 1-2, ..... shows history of part modifications; namely ref. No. 1 changed to No. 1-1 and then 1-2.

Example: Ref. No.	Part No.
1.	21101 00101
1-1.	21101 00103

(2) Part No.

Every part has its own proper number. Even if a part has the same shape as an other part and if its number different, it is not interchangeable at all in many cases.

(3) Interchangeability

A. B. C. D. Q. X. Y. and Z. in column "Interchangeability" show the following.

A : A new part is replaceable with an old part, but the old part is not replaceable with the new one.

B : Not interchangeable.

C : Disused.

D : Newly added.

Q : Quantity per unit changed.

X : Included in this set of parts, this part is not used for this model.

Y : Part to be selected.

Z : This part can not be supplied as an individual part.

(4) Part name

Every part has its own proper name.

(5) Q'ty

The number shown in the column of Q' TY indicates the quantity of parts used per one unit machine.

(6) Change column

M1, M2, M3, ..... Mn mentioned in the column indicate the change of part number and the serial number of the unit, the part of which was modified.

To check the serial number, refer to "LIST OF MACHINE SERIAL NUMBERS & CHANGED PART NUMBERS" mentioned in the front part of this book.

4. Abbreviations used in this catalog.

ass'y	assembly	L	Length
A	Ampere	OPT.	Option
AUTO.	Automatic	SPC/S.	Special specifications
C/H	Change column	STD.	Standards
Const.	Consisting of	sw.	switch
Cont.	Control	T or t	Thickness
Eng.	Engine	V	Volt
EXP.	Export	W	Watt
GEN.	Generator	w.	with
Incl.	Including	w/o	without

5. HOW TO READ MODELS

Example: S D G 2 5 □ S - 3 A 1 □  
                   ①    ②    ③           ④ ⑤ ⑥ ⑦

- |   |                                   |
|---|-----------------------------------|
| ① SDG : SKID-MOUNTED DIESEL GENERATOR       | ⑤ MODEL CHANGE MARK               |
| PDG : PORTABLE DIESEL GENERATOR             | No mark: POWER TAKE OFF GENERATOR |
| SPG : SKID-MOUNTED POWER TAKE OFF GENERATOR | ⑥ VARIATION MARK                  |
| ATS : AUTOMATIC TRANSFER SWITCHES           | ⑦ No mark:w/o METAL CONSENT       |
| ② 25 : OUTPUT (kVA)                         | M : w. METAL CONSENT              |
| ③ S : SILENT TYPE                           | A : w. CHANGE DEVICE (TYPE A)     |
| w/o S: UNSILENCED TYPE                      | B : w. METAL CONSENT (TYPE B)     |
| AS : ADVANCED SILENT TYPE                   | C : w. SAFETY SYSTEM (TYPE C)     |
| ④ 3 : BOX TYPE                              | E : w. ATS                        |
| 4 : SUPER SLIM TYPE                         |                                   |
| 5 : FREQUENCY                               |                                   |
| 6 : NORTH AMERICA TYPE                      |                                   |
| 7 : w. OIL FENCE                            |                                   |
| 8 : NORTH AMERICA TYPE (w. OIL FENCE)       |                                   |

In case of ATS: 1~4...12V TYPE, 5~8...24V TYPE

NOTE : We are always engaged in improving our products. So there may be some changes of the product which are not yet mentioned in this parts catalog.

Therefore, in necessary case, we issue a revision in which such changes are added.

When you have any question on the parts catalog, please ask your nearest dealer or directly us.

LIST OF MACHINE SERIAL NUMBERS & CHANGED PART NUMBERS

MODEL NAME & SER. NO. OF THE UNIT, THE PART OF WHICH WAS CHANGED							
C/H	SDG45S-8B2			C/H			
M261	0122~						
M333	0052~						
M346	0122~						
M349	0122~						
M365	0122~						
M376	0122~						
M378	0122~						
M390	0122~						

## CONTENTS

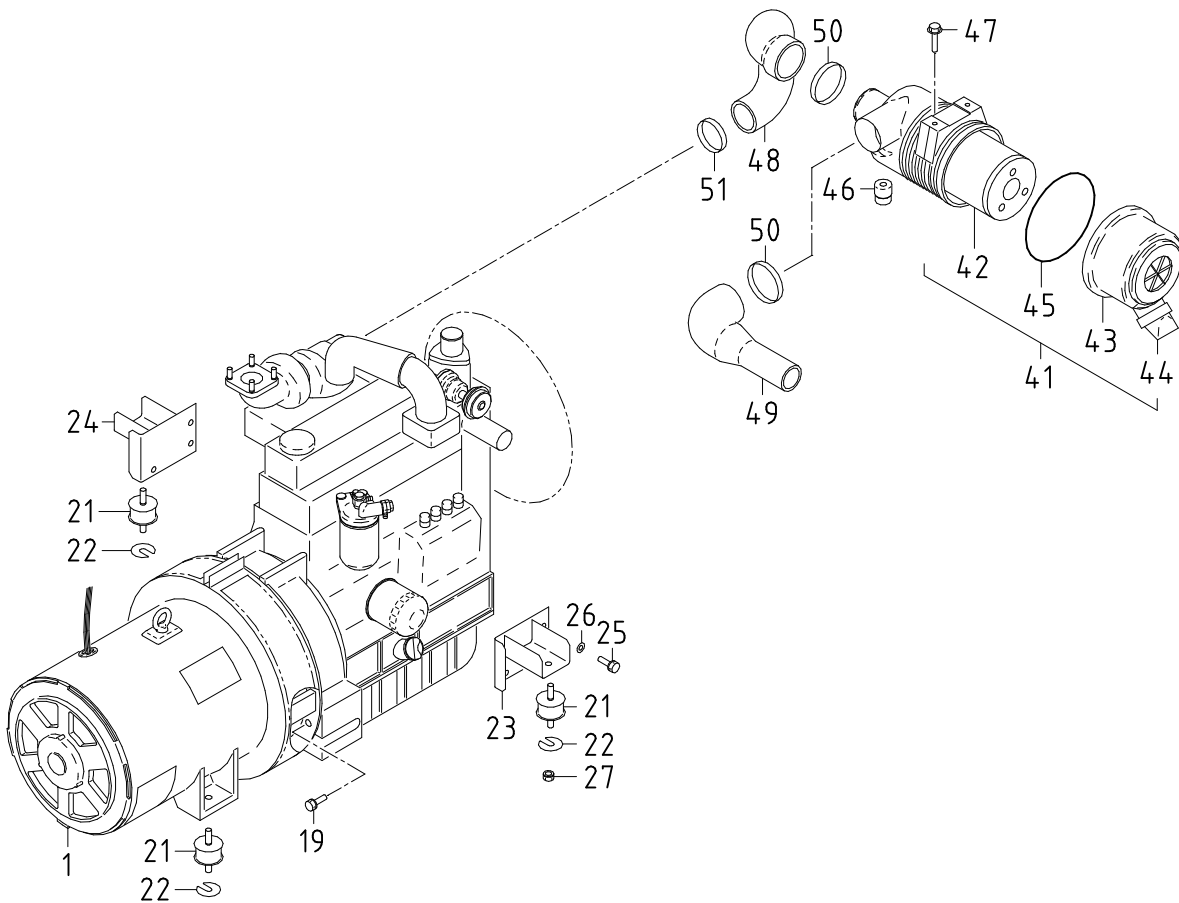
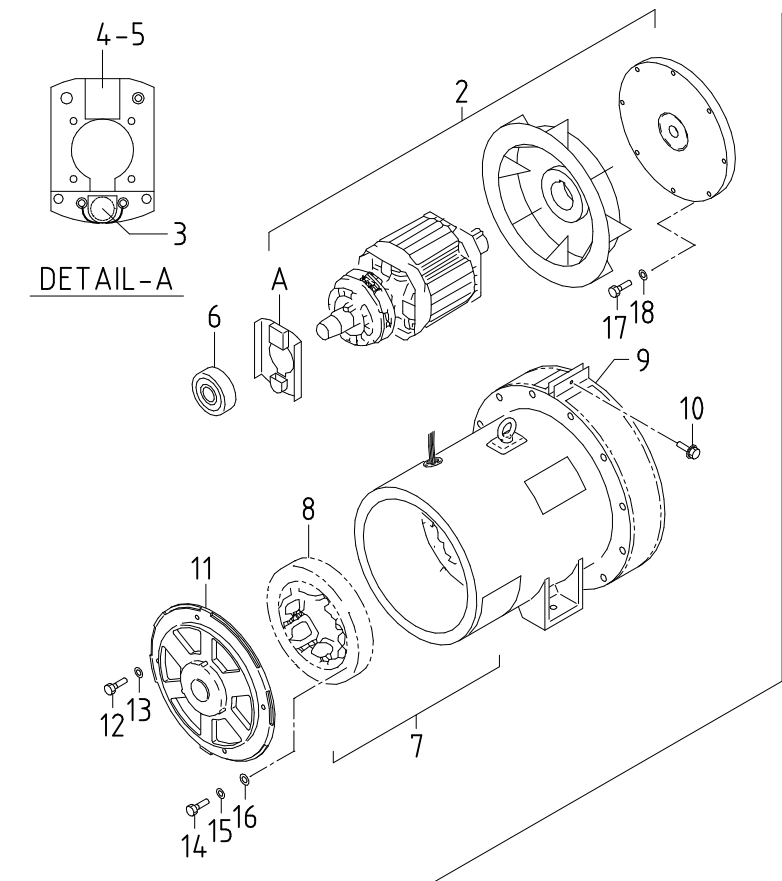
---

FIG. NO.	FIG. NAME	PAGE
—GENERATOR PARTS—		
20 - 00	GENERATOR, MOUNTING & INTAKE	20- 1~2
38 - 00	COOLING, ENGINE & EXHAUST	38- 1~2
39 - 00	NAME PLATE	39- 1~2
43 - 00	FUEL LINE	43- 1~2
44 - 00	ELECTRIC(for ENGINE)	44- 1~2
46 - 00	ELECTRIC(for GENERATOR)	46- 1~2
46 - 01	TERMINAL PLATE	46- 3
51 - 00	FRAME & BONNET	51- 1~2
51 - 01	OIL FENCE	51- 3~4
52 - 00	LINING	52- 1

# CONTENTS

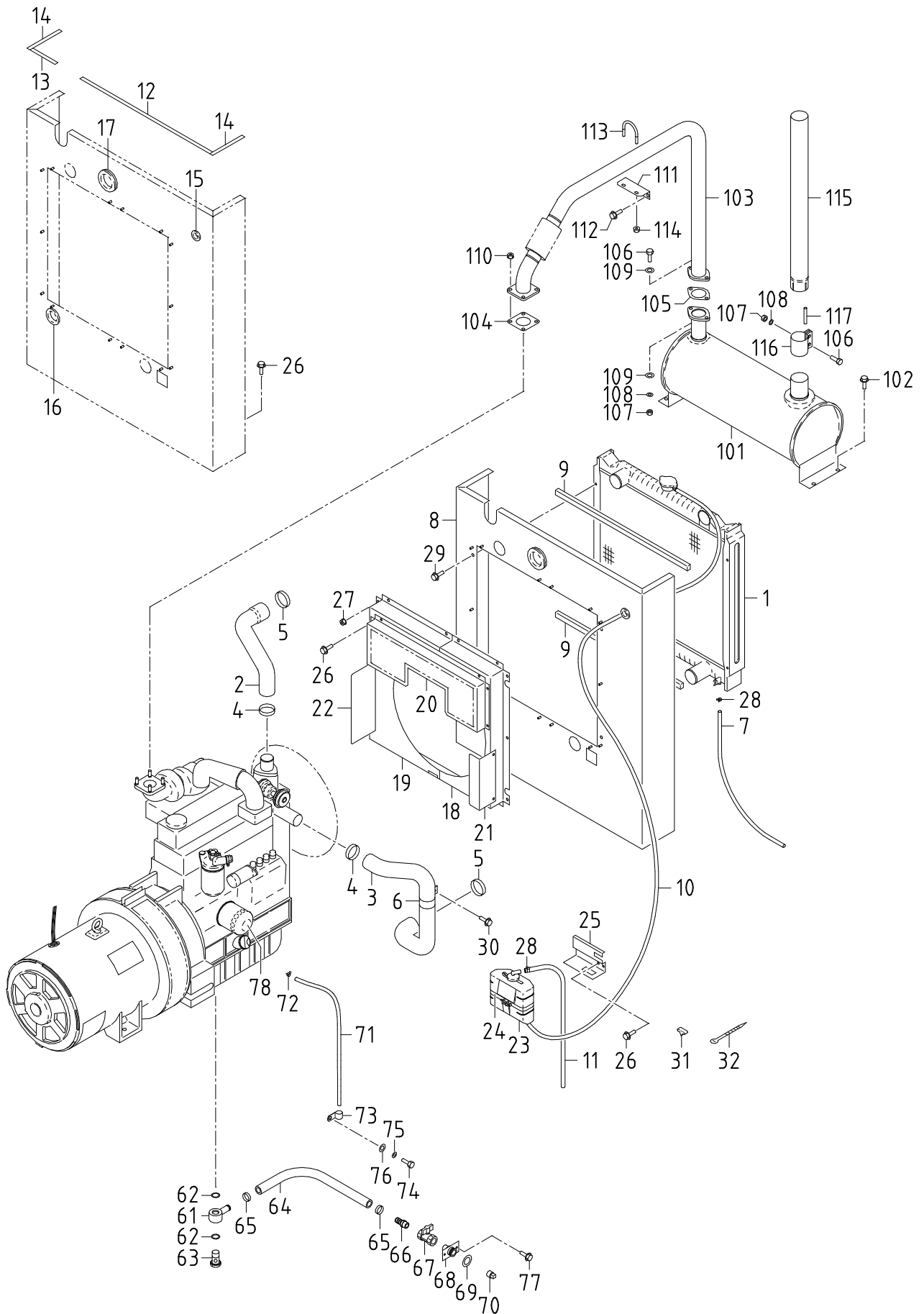
FIG. NO.	FIG. NAME	PAGE
—ENGINE PARTS—		
500000	CRANKCASE	1
501000	OIL PAN	2
501200	DIPSTICK AND GUIDE	3
502000	CYLINDER HEAD	4
503000	INLET VALVE AND EXHAUST VALVE	5
504000	ROCKER ARM SHAFT	6
505000	HEAD COVER	7
508000	GEAR CASE	8
510500	MAIN BEARING CASE	9
511000	PISTON AND CRANKSHAFT	10
512000	CAMSHAFT AND IDLE GEAR SHAFT	11
515000	FLYWHEEL	12
520000	INJECTION PUMP UNIT	13
520200	INJECTION PUMP HOUSING	14
521000	INJECTION PUMP	15
521700	FUEL PUMP COVER	16
522200	FUEL CAMSHAFT AND GOVERNOR SHAFT	17
523000	GOVERNOR	18
524000	FORK LEVER (GOVERNOR)	19
525000	RESTRICTION ADJUSTING BOLT	20
531000	FUEL FILTER	21
532500	SEPARATOR	22
540000	NOZZLE HOLDER AND GLOW PLUG	23
545500	OVER FLOW PIPE	24
547100	FUEL PUMP (ELECTRICAL)	25
550000	ALTERNATOR AND PULLEY	26
551000	ALTERNATOR [COMPONENT PARTS]	27
554000	STARTER	28
555000	STARTER [COMPONENT PARTS]	29
555500	STOP SOLENOID	30
557000	SWITCH/SENSOR	31
560000	WATER FLANGE AND THERMOSTAT	32
561000	WATER PUMP	33
561200	WATER PIPE	34
567000	FAN AND PULLEY	35
571000	INLET MANIFOLD	36
572000	EXHAUST MANIFOLD	37
572300	EGR VALVE	38
572400	EGR COOLER	39
572500	BOOST AIR PIPE	40
572600	TURBO CHARGER	41
576000	BREATHER PIPE/SEPARATOR PIPE	42
576500	OIL SEPARATOR	43
580000	OIL PIPE (TURBO CHARGER)	44
580300	OIL PIPE (MECHANICAL TIMER)	45
582000	OIL COOLER	46
583000	OIL FILTER	47
587000	STARTER SWITCH	48
588000	ACCESSORIES AND SERVICE PARTS	49
589000	LABEL AND OPERATOR'S MANUAL	50
594000	PISTON KIT [OPTION]	51
■	NUMERICAL INDEX	52





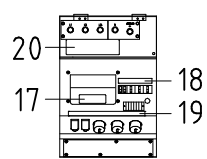
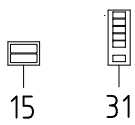
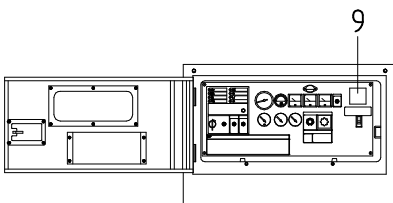
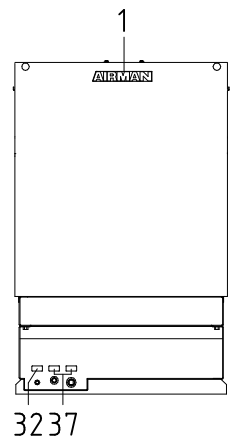
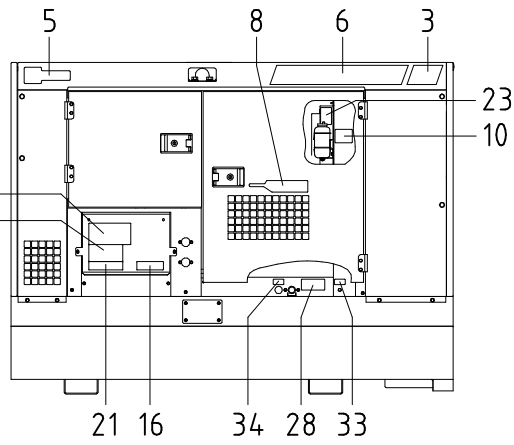
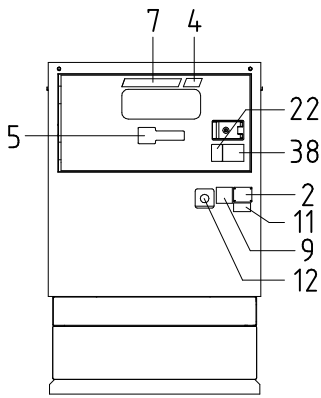
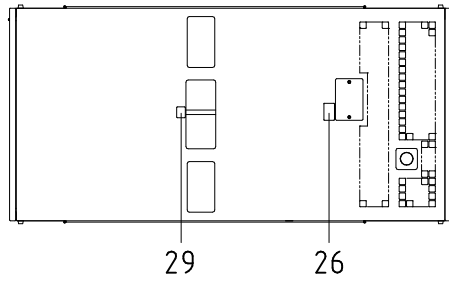
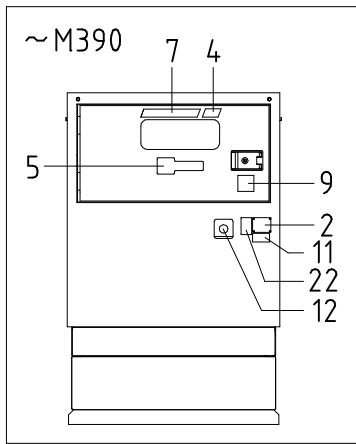
20 - 00 GENERATOR. MOUNTING & INTAKE

Ref. NO.	Part NO.	Inter-change ability	Part Name	Q'ty	C/H	Remarks	Ref. NO.	Part NO.	Inter-change ability	Part Name	Q'ty	C/H	Remarks
20 - 00 GENERATOR GROUP													
1	20003 57603		Generator	1		Const. No. 2~16							
2	25100 09101		A. C. G. rotor ass'y	1									
3	25650 02100		Surge absorber	1									
4	46921 08800		Silicon rectifier	1									
5	02345 63012		Screw	2									
	03115 02003		Spring washer	2									
	03116 12003		Plain washer	2									
6	21472 15700		Bearing	1		(6308ZZ)							
7	25200 11100		A. C. G. stator ass'y	1									
8	25700 07600		EX. stator ass'y	1									
9	25360 07100		Cover	1									
10	02248 06025		Bolt, w/w	1									
11	25310 09600		Casing	1									
12	02138 08030		Bolt	4									
13	03115 02008		Spring washer	4									
14	02138 06040		Bolt	3									
15	03115 02006		Spring washer	3									
16	03116 12006		Plain washer	3									
17	02135 10040		Bolt	8									
18	03115 02010		Spring washer	8									
19	02238 10030		Bolt, w/w	12									
31 - 00 MOUNTING GROUP													
21	GG160 00100		Vibration isolator ass'y	4									
22	31120 08900		Shim	1									
23	31110 02610		Bracket	1									
24	31110 02710		Bracket	1									
25	02108 12025		Bolt	6									
25 -1	02102 12025	A	Bolt	6		M349							
26	03115 02012		Spring washer	6									
27	02915 20012		Nut, w/w	8									
32 - 00 INTAKE GROUP													
41	32100 34502		Air filter ass'y	1		Const. No. 42~45							
42	32143 11800		Element	1									
43	32142 11300		Cup	1									
44	32151 01600		Vacuator valve	1									
45	32147 03600		O-ring	1									
46	32148 03000		Filter, service indicator	1									
47	02201 08012		Flange bolt	2									
48	32331 74500		Hose	1									
49	32331 36600		Hose	1									
50	03511 20100		Hose clip	2									
51	03511 20080		Hose clip	1									

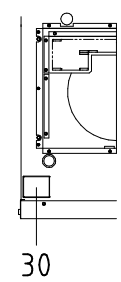
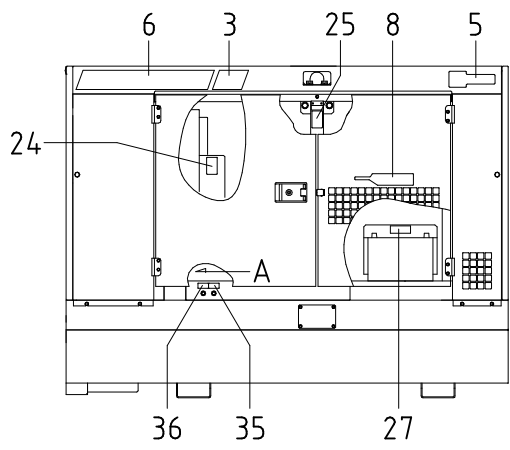


## 38 - 00 COOLING, ENGINE &amp; EXHAUST

Ref. NO.	Part NO.	Inter-change ability	Part Name	Q'ty	C/H	Remarks	Ref. NO.	Part NO.	Inter-change ability	Part Name	Q'ty	C/H	Remarks
38 - 00 COOLING GROUP													
1	38100 40400		Radiator	1		Incl. Cap & Valve	114	02915 00008		Hexagon flange nut	2		
	38410 05800		Cap	1			115	42310 99001		Pipe, exhaust	1		
	38469 01400		Valve	2		(drain)	116	42230 17700		Belt	1		
2	38524 68100		Hose	1			117	42323 03600		Gasket	1		
3	38524 68000		Hose	1									
4	03511 20060		Hose clip	2									
5	03511 20070		Hose clip	2									
6	03424 80218		Clip	1									
7	38594 02000		Hose	1		(drain)							
8	52350 70822		Cover	1									
9	03407 67311		Seal rubber	2									
10	38594 02600		Hose	1									
11	38594 05000		Hose	1									
12	03407 66933		Seal rubber	1									
13	03407 66952		Seal rubber	1									
14	03407 66939		Seal rubber	2									
15	03403 00303		Grommet	1									
16	03403 00512		Grommet	1									
17	03403 00703		Grommet	1									
18	38440 02811		Shroud, fan	1									
19	38440 02911		Shroud, fan	1									
20	38450 80501		Guard, fan	1									
21	38450 81001		Guard, fan	1									
22	38450 81100		Guard, fan	1									
23	38590 01200		Reserve tank ass'y	1									
24	03511 30185		Hose clip	1									
25	38591 01000		Bracket	1									
26	02201 06016		Flange bolt	16									
27	02915 00006		Hexagon flange nut	14									
28	03511 40016		Hose clip	4									
29	02201 08012		Flange bolt	4									
30	02201 10020		Flange bolt	1									
31	44243 05500		Holder	4									
32	03425 00001		Vinyl clip	4									
41 - 00 ENGINE GROUP													
61	43534 02102		Ring connector	1									
62	03407 16024		Gasket	2									
63	43532 09400		Nipple(Bolt)	1									
64	03580 19055		Hose	1									
65	03511 20035		Hose clip	2									
66	37170 02900		Joint	1									
67	03735 13004		Valve	1									
68	37170 20100		Joint	1									
69	52728 15710		Cushion rubber	1									
70	03620 41004		Plug	1									
71	38594 02900		Hose	1									
71 -1	03600 09070	B	Hose	1		M261							
72	03511 40016		Hose clip	1									
72 -1	03511 40020	B	Hose clip	1		M261							
73	37181 05000		Clip	1									
74	02108 12025		Bolt	1									
75	03115 02012		Spring washer	1									
76	03116 12012		Plain washer	1									
77	02201 06016		Flange bolt	2									
78	37438 08800		Filter, cartridge	1		See Engine parts							
						page 47.							
42 - 00 EXHAUST GROUP													
101	42100 84200		Exhaust muffler	1									
102	02201 10020		Flange bolt	4									
103	42310 01411		Pipe, exhaust	1									
104	42324 15200		Gasket	1									
105	42324 13600		Gasket	1									
106	02136 10035		Bolt	4									
107	02912 06010		Nut	4									
108	03115 06010		Spring washer	4									
109	03116 15010		Plain washer	4									
110	02915 11010		Hexagon flange nut	4									
111	42240 28201		Bracket	1									
112	02201 08020		Flange bolt	2									
113	03830 08004		U-bolt	1									



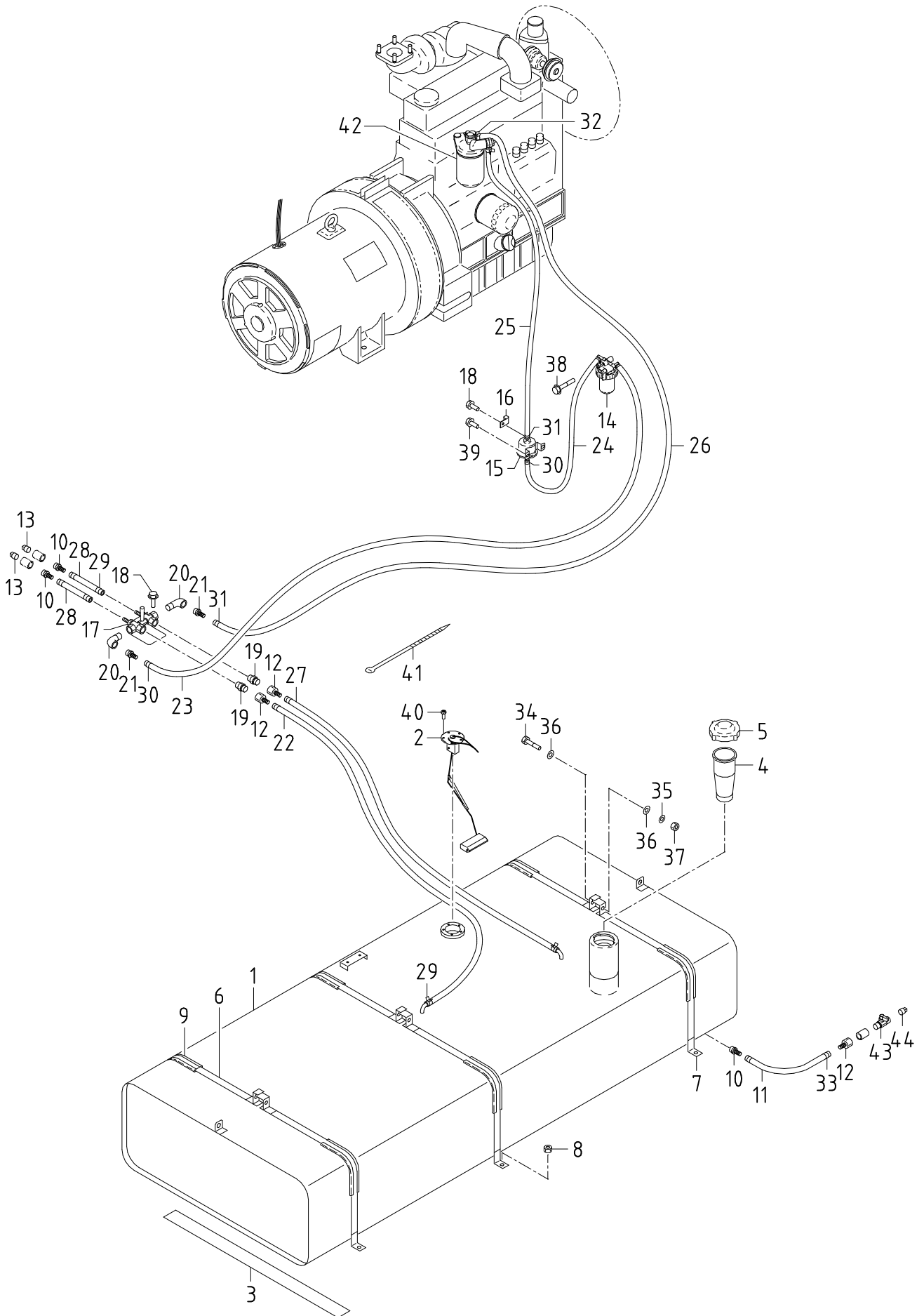
OUTPUT TERMINAL



VIEW-A

39 - 00 NAME PLATE

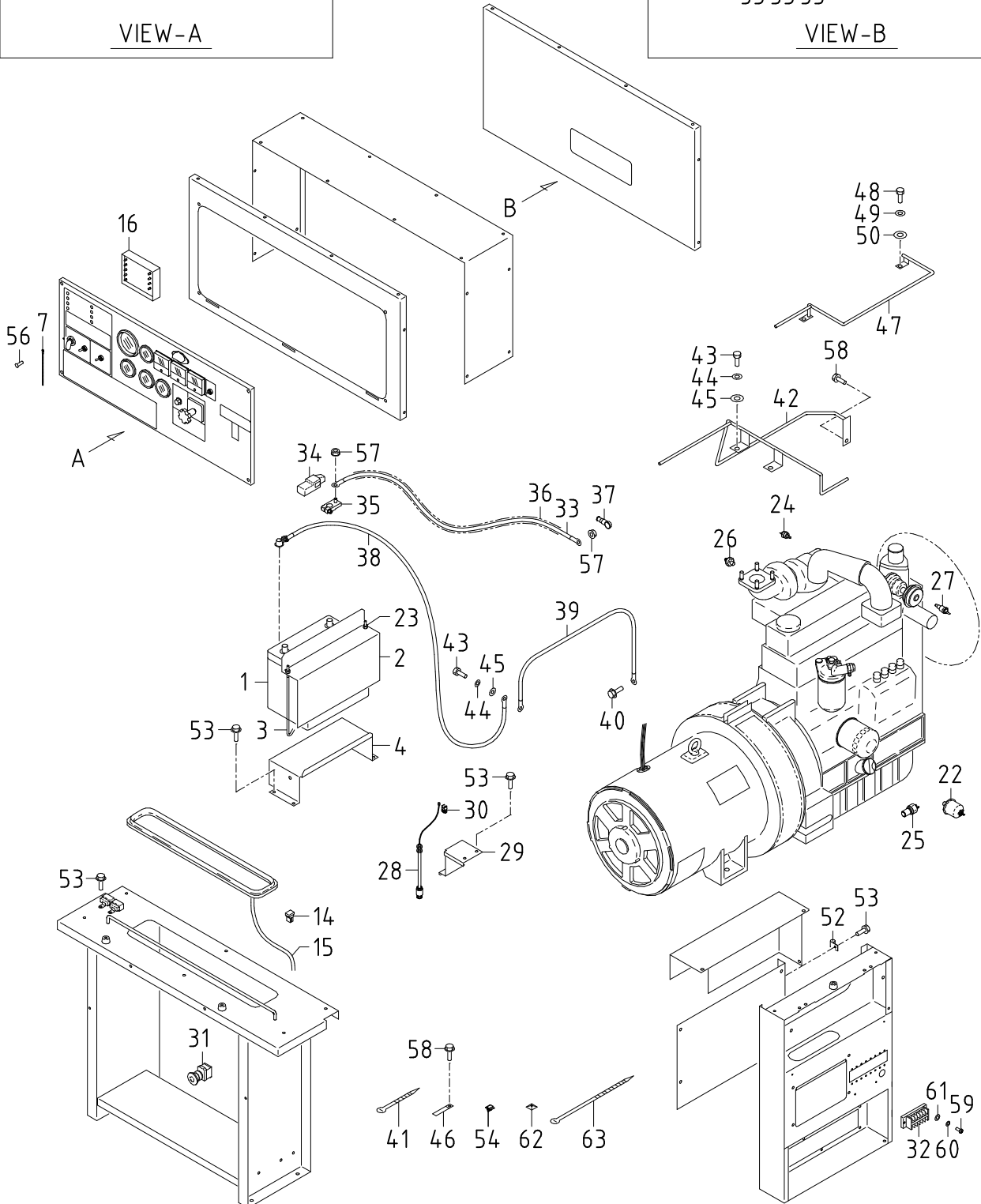
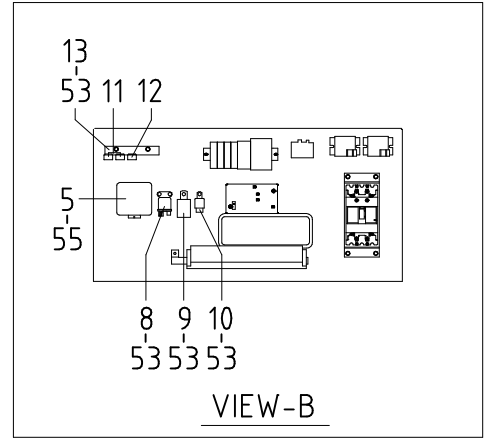
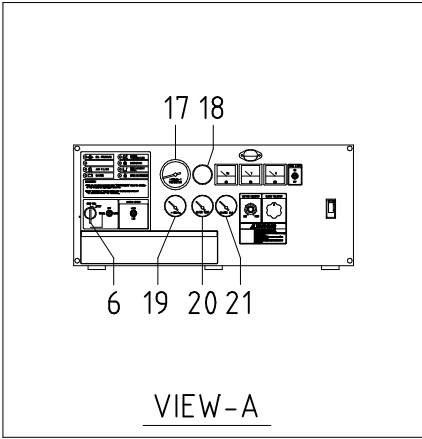
Ref. NO.	Part NO.	Inter-change ability	Part Name	Q'ty	C/H	Remarks	Ref. NO.	Part NO.	Inter-change ability	Part Name	Q'ty	C/H	Remarks
39 - 00 ACCESSORY GROUP													
	39600 14931		Instruction manual										
	39600 53630	B	Instruction manual		M376								
	39615 08200		Instruction manual (Eng.)										
1	39170 02000		Mark (AIRMAN)	1									
2	39103 46801		Plate (SER. NO.)	1									
	03260 03010		Blind rivet	4									
3	39178 30730		Plate (45)	2									
4	39178 55020		Plate (45)	1									
5	39178 57720		Plate (MMD)	3									
6	39178 54721		Plate (Power Pro)	2									
7	39178 54820		Plate (Power Pro)	1									
8	39178 53620		Plate (QUIETECH)	2									
9	39178 80820		Plate (DELTA DEMAND)	2									
10	39178 00310		Plate (LLC)	1									
11	39178 43110		Plate (california)	1									
12	39178 47610		Plate (emergency sw.)	1									
13	39176 05010		Plate (output)	1									
14	39176 62400		Plate (danger, high voltage)	1									
15	39173 02000		Plate, complete	1		Const. No. 16~17							
16	* * *	Z	Plate (terminal in)	1		(39173 02000)							
17	* * *	Z	Plate (terminal in)	1		(39173 02000)							
18	39178 87210		Plate (breaker)	1									
19	39178 50620		Plate (socket)	1									
20	39152 23401		Plate (wiring chart)	1									
21	39176 62900		Plate (warning, electric shock)	1									
22	39176 73300		Plate (warning, exhaust gases)	1									
23	39176 73500		Plate (warning, cooling fan)	1									
24	39176 73800		Plate (warning, pulley)	1									
25	39176 69500		Plate (caution, high temp.)	1									
26	39176 69600		Plate (caution, radiator cap)	1									
27	39176 50000		Plate (warning, battery)	1									
28	39178 22031		Plate (FLAMMABLES)	1									
29	39176 69300		Plate (lift position)	1									
30	39178 49120		Plate (changed fuel refill)	1									
31	39173 03300		Plate, complete	1		Const. No. 32~37							
31 -1	39173 05900	B	Plate, complete	1	M378	Const. No. 32~34 & 37							
32	* * *	Z	Plate (fuel drain)	1		(39173 03300, 05900)							
33	* * *	Z	Plate (radiator drain)	1		(39173 03300, 05900)							
34	* * *	Z	Plate (eng. oil drain)	1		(39173 03300, 05900)							
35	* * *	Z, C	Plate (fuel inlet)	1	M378	(39173 03300)							
35 -1	39178 01640	D	Plate (fuel return, fuel inlet)	1	M378								
36	* * *	Z, C	Plate (fuel return)	1	M378	(39173 03300)							
37	* * *	Z	Plate	1		(39173 03300, 05900)							
37 -1	* * *	Z, Q	Plate (containment drain)	2	M378	(39173 03300, 05900)							
38	39176 09310	D	Plate (danger, exhaust gases)	1	M390								



43 - 00 FUEL LINE

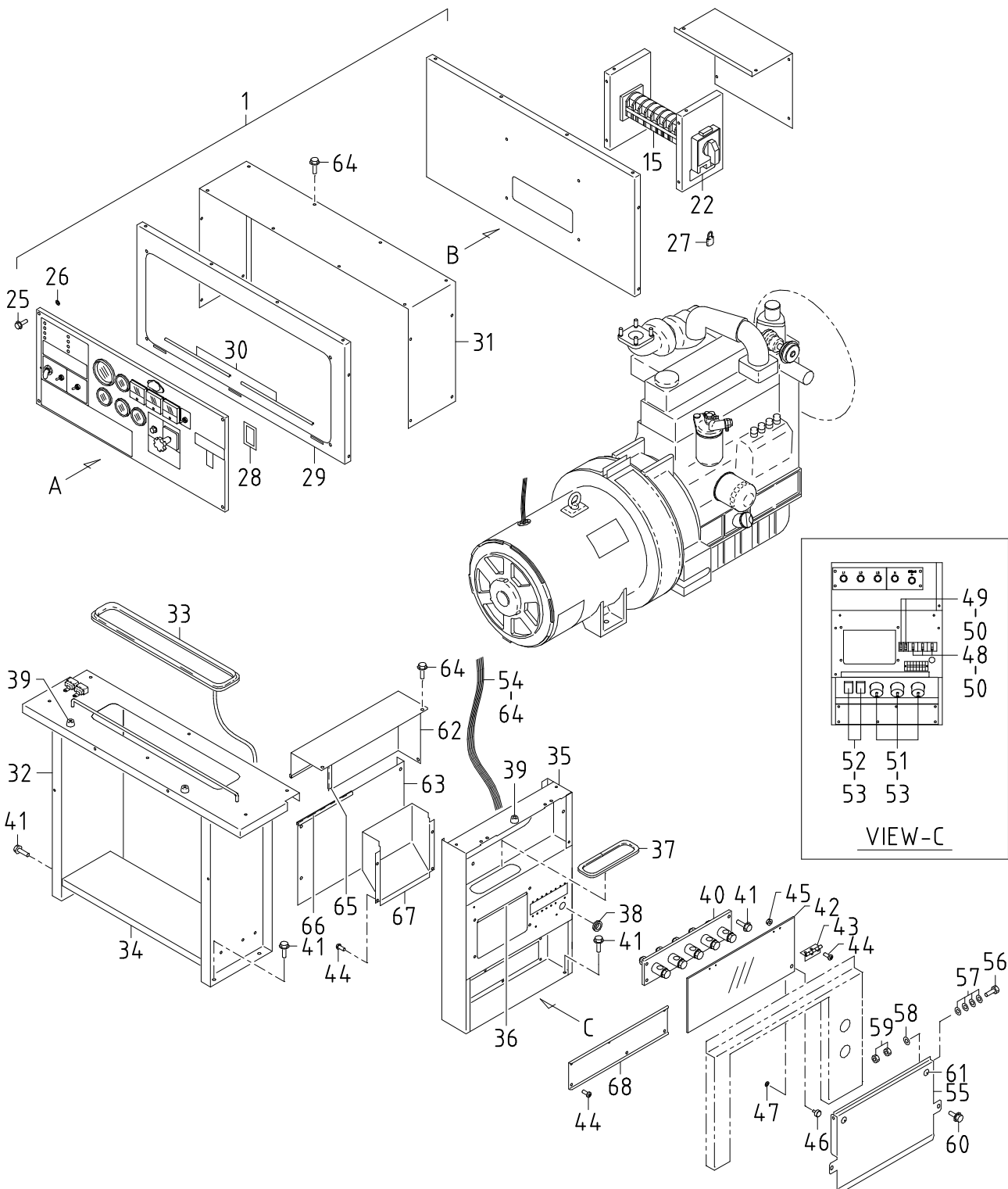
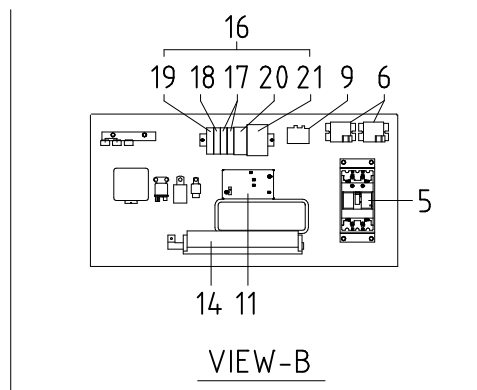
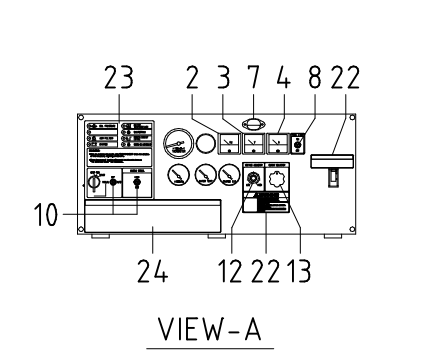
Ref. NO.	Part NO.	Inter-change ability	Part Name	Q'ty	C/H	Remarks	Ref. NO.	Part NO.	Inter-change ability	Part Name	Q'ty	C/H	Remarks
43 - 00			FUEL GROUP										
1	43100 70102		Fuel tank	1									
2	36159 03000		Sending unit	1									
3	38465 12600		Cushion rubber	3									
4	43210 01301		Strainer	1									
5	43220 01300		Cap	1									
6	43310 27200		Belt	3									
7	43310 27300		Belt	3									
8	02915 00008		Hexagon flange nut	6									
9	43322 06700		Cushion rubber	6									
10	37170 12700		Joint	3									
11	03570 09028		Hose	1									
12	37170 20200		Joint	3									
13	03620 41003		Plug	2									
14	43550 03100		Sedimenter	1		See Engine parts page 22.							
15	43650 02400		Fuel pump	1		See Engine parts page 25.							
16	37181 07300		Clip	2									
17	35483 10101		Stop valve	1									
18	02201 06016		Flange bolt	3									
19	03734 43030		Nipple	2									
20	03731 21003		Nipple elbow	2									
21	37170 12200		Joint	2									
22	03600 09100		Hose	1									
23	03600 08152		Hose	1									
24	03600 08071		Hose	1									
25	03570 08042		Hose	1									
26	03570 08207		Hose	1									
27	03600 09040		Hose	1									
28	03600 09008		Hose	2									
29	03511 40020		Hose clip	8									
30	03511 40016		Hose clip	4									
31	03511 10017		Hose clip	2									
32	03511 20016		Hose clip	2									
33	03511 20020		Hose clip	2									
34	02138 10070		Bolt	3									
35	03115 02010		Spring washer	3									
36	03116 12010		Plain washer	6									
37	02912 08010		Nut	3									
38	02201 08070		Flange bolt	1									
39	02201 08012		Flange bolt	1									
40	02415 65012		Screw, w/w	5									
41	03425 00003		Vinyl clip	15									
42	43534 04900		Filter, cartridge	1		See Engine parts page 21.							
43	35421 06800		Air valve	1									
44	03620 41003		Plug	1									
44 -I	33238 02800	A	Plug	1	M346								





## 44 - 00 ELECTRIC (for ENGINE)

Ref. NO.	Part NO.	Inter-change ability	Part Name	Q'ty	C/H	Remarks	Ref. NO.	Part NO.	Inter-change ability	Part Name	Q'ty	C/H	Remarks
44 - 00 ELECTRIC GROUP													
1	44210 06600	Y	Battery	1		(80D26R)							
1	44210 08200	Y	Battery	1		(85D26R)							
2	44220 24500		Cover	1									
3	44243 04501		Holder	2									
4	44100 09900		Battery box	1									
5	44390 02801		Controller	1		(KUBOTA 16377-60603)							
6	44322 07200		Starter switch	1		(KUBOTA 17422-63591)							
	52739 00600		Key	2									
7	52660 04700		Hook	1									
8	44346 13200		Relay (main)	1									
9	44346 15200		Relay (glow)	1		(KUBOTA RP421-53731)							
10	44346 15300		Relay (starter)	1		(KUBOTA 68881-53542)							
11	44470 01600		Fuse box	2									
	46934 03200		Fuse (10A)	2									
12	44470 02100		Fuse box	1									
	46934 05000		Fuse (5A)	1									
13	44250 14710		Bracket	1									
14	44470 02300		Fuse box (60A)	1									
15	44490 07940		Wiring harness	1									
16	46870 55800		Controller	1		(Emergency)							
17	36146 08800		Tachometer	1									
18	36158 00500		Gauge, fuel	1									
19	36143 03600		Gauge, oil press.	1									
20	36145 06500		Thermometer, water	1									
21	46154 15300		Ammeter	1									
22	44365 00300		Oil pressure sender	1									
23	02915 00006		Hexagon flange nut	2									
24	44364 06200		Thermo sensor	1		(KUBOTA 31351-32831)							
25	44381 04000		Tacho sensor	1		(KUBOTA 56713-42931)							
26	44328 20500		Pressure switch	1		(KUBOTA 15841-39012)							
27	44334 17700		Thermo switch	1		(KUBOTA 51601-37671)							
28	46813 08100		Level switch	1									
29	43350 02200		Bracket	1									
30	37181 03300		Clip	1									
31	44336 03001		Button switch	1									
32	44311 65600		Terminal plate	1									
33	05085 21060		Cable	1		(batt. ~starter)							
34	44462 06700		Insulator	1		(red)							
35	05625 00018		Terminal	1									
36	06540 15055		Corrugated tube	1									
37	44462 00800		Insulator	1									
38	07888 52060		Cable	1		(batt. ~Eng. earth)							
39	05068 23070		Cable	1		(earth)							
40	02201 08020		Flange bolt	1									
41	03425 00001		Vinyl clip	21									
42	44290 51400		Guide	1									
43	02108 12025		Bolt	3									
44	03115 02012		Spring washer	3									
45	03116 12012		Plain washer	3									
46	03424 80101		Clip	2									
47	44290 52000		Guide	1									
48	02108 10020		Bolt	1									
49	03115 02010		Spring washer	1									
50	03116 12010		Plain washer	1									
51	* * *												
52	37181 06500		Clip	1									
53	02201 06016		Flange bolt	14									
54	44243 05500		Holder	3									
55	02138 06055		Bolt	2									
	03115 02006		Spring washer	2									
	03116 12006		Plain washer	2									
56	03260 03010		Blind rivet	1									
57	02915 00008		Hexagon flange nut	2									
58	02201 08012		Flange bolt	3									
59	02345 24020		Screw	2									
60	03115 03004		Spring washer	2									
61	03116 18004		Plain washer	2									
62	44243 04600		Holder	1									
63	03425 00003		Vinyl clip	3									

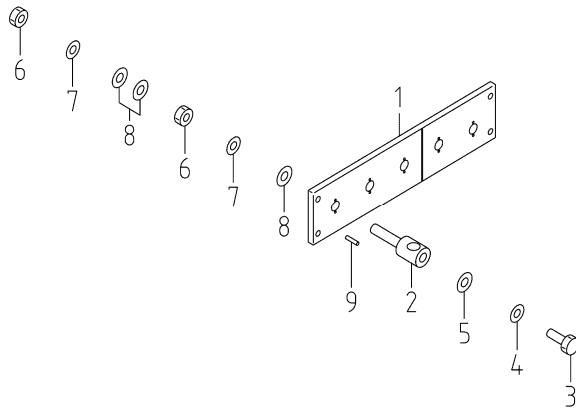


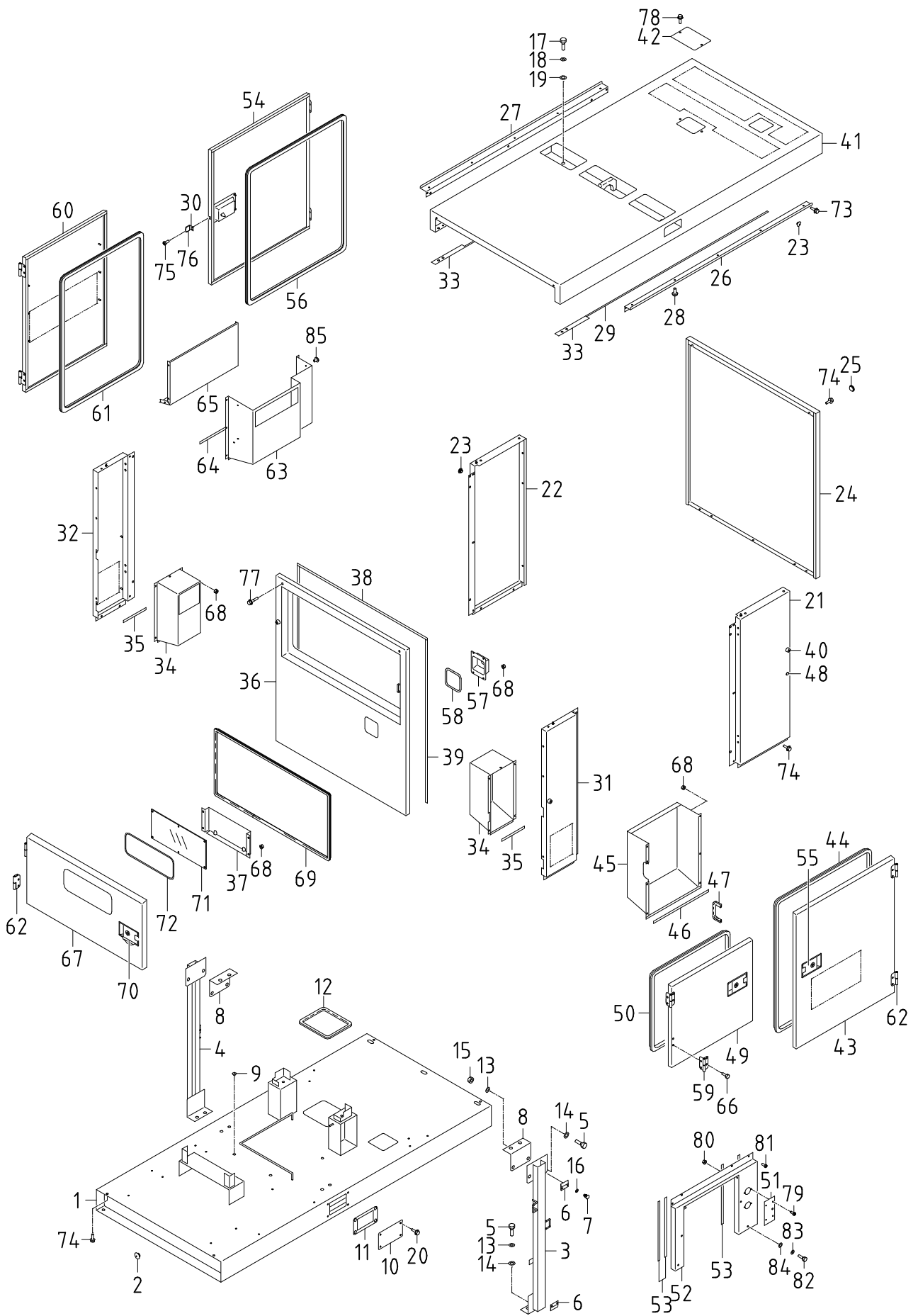
46 - 00 ELECTRIC (for GENERATOR)

Ref. NO.	Part NO.	Inter-change ability	Part Name	Q'ty	C/H	Remarks	Ref. NO.	Part NO.	Inter-change ability	Part Name	Q'ty	C/H	Remarks
46 - 00 ELECTRIC GROUP													
1	46900 06010		Switch board ass'y	1		Const. No. 2~26	63	44260 37801		Cover	1		
2	46153 04000		Voltmeter (AC)	1			64	02201 06016		Flange bolt	31		
3	46154 14500		Ammeter (AC)	1			65	03407 66507		Seal rubber	1		
4	46911 01401		Frequency meter	1			66	03407 66510		Seal rubber	1		
5	46120 36600		Circuit breaker	1			67	46480 47900		Cover	1		
6	46923 04500		Current transformer	2			68	46480 55600		Bracket	1		
7	46929 01200		Illuminator	1									
	46939 01300		Bulb	1									
8	46167 02400		Select switch	1									
9	46928 01500		Thermal relay	1									
10	44500 03500		Switch panel ass'y	1									
11	46950 02600		A. V. R ass'y	1									
12	46918 01401		Controller	1									
	46991 00100		Knob	1									
13	46913 01000		Transfer device	1									
14	44311 51300		Terminal plate	1									
	46311 02200		Plate	1									
15	46917 01200		Change device, voltage	1									
16	46760 46210		Control panel	1		Const. No. 17~21							
17	46177 08300		Relay	2									
18	46177 08400		Relay	1									
19	46177 08500		Relay	1									
20	46872 01300		Dc power supply	1									
	46948 00900		Surge absorber	1									
21	46879 45800		Controller complete	1									
22	39178 50820		Plate (caution, switch)	1									
23	39178 64330		Plate (warning, electric)	1									
24	39153 64900		Plate (notice)	1									
25	02247 06025		Bolt, w/w	4									
26	45214 01400		Washer	4									
27	52723 00100		Lock ass'y	1		(w. key)							
28	52931 92020		Lining	1									
29	36120 19701		Plate	1									
30	03407 66716		Seal rubber	1									
31	46480 57200		Cover	1									
32	52350 72020		Cover	1									
32 -1	52350 00230	B	Cover	1		M333							
33	03407 64703		Seal rubber	1									
34	52350 44720		Cover	1									
35	46470 95000		Box	1									
36	03407 66512		Seal rubber	1									
37	03407 66505		Seal rubber	1									
38	03403 00252		Grommet	1									
39	31131 04100		Rubber, vibration isolator	3									
40	44311 66300		Terminal plate	1		See page 46-3							
41	02201 08020		Flange bolt	16									
42	52416 27401		Window glass	1									
43	52480 13300		Hinge	2									
44	02401 66016		Screw	18									
45	02915 00006		Hexagon flange nut	8									
46	52640 02400		Bolt	1									
47	45214 01400		Washer	1									
48	46120 26900	Y	Circuit breaker	3									
48	46120 34000	Y	Circuit breaker	3									
49	46120 26800	Y	Circuit breaker	2									
49	46120 34100	Y	Circuit breaker	2									
50	02345 23008		Screw	16									
	03115 03003		Spring washer	16									
	03116 18003		Plain washer	16									
51	44312 02800		Socket	3									
52	44312 02900		Socket	2									
53	02345 24020		Screw	10									
	02912 09004		Nut	10									
	03115 03004		Spring washer	10									
	03116 18004		Plain washer	20									
54	44550 34001		Cable kit	1									
55	52400 15720		Side cover	1									
56	02136 08035		Bolt	1									
57	GH245 00600		Washer	8									
58	03116 12008		Plain washer	2									
59	02912 08008		Nut	4									
60	02246 08016		Bolt, w/w	2									
61	03403 10010		Grommet	2									
62	44260 37400		Cover	1									

46 - 01 TERMINAL PLATE

Ref. NO.	Part NO.	Inter-change ability	Part Name	Q'ty	C/H	Remarks	Ref. NO.	Part NO.	Inter-change ability	Part Name	Q'ty	C/H	Remarks
	44311 66300		Terminal plate										
1	46305 09300		Plate	1									
2	46312 05100		Bolt	5									
3	35208 04500		Bolt	5									
4	03115 06014		Spring washer	5									
5	03116 15014		Plain washer	5									
6	02912 03014		Nut	10									
7	03115 02014		Spring washer	10									
8	03116 14014		Plain washer	15									
9	03316 03016		Pin	10									

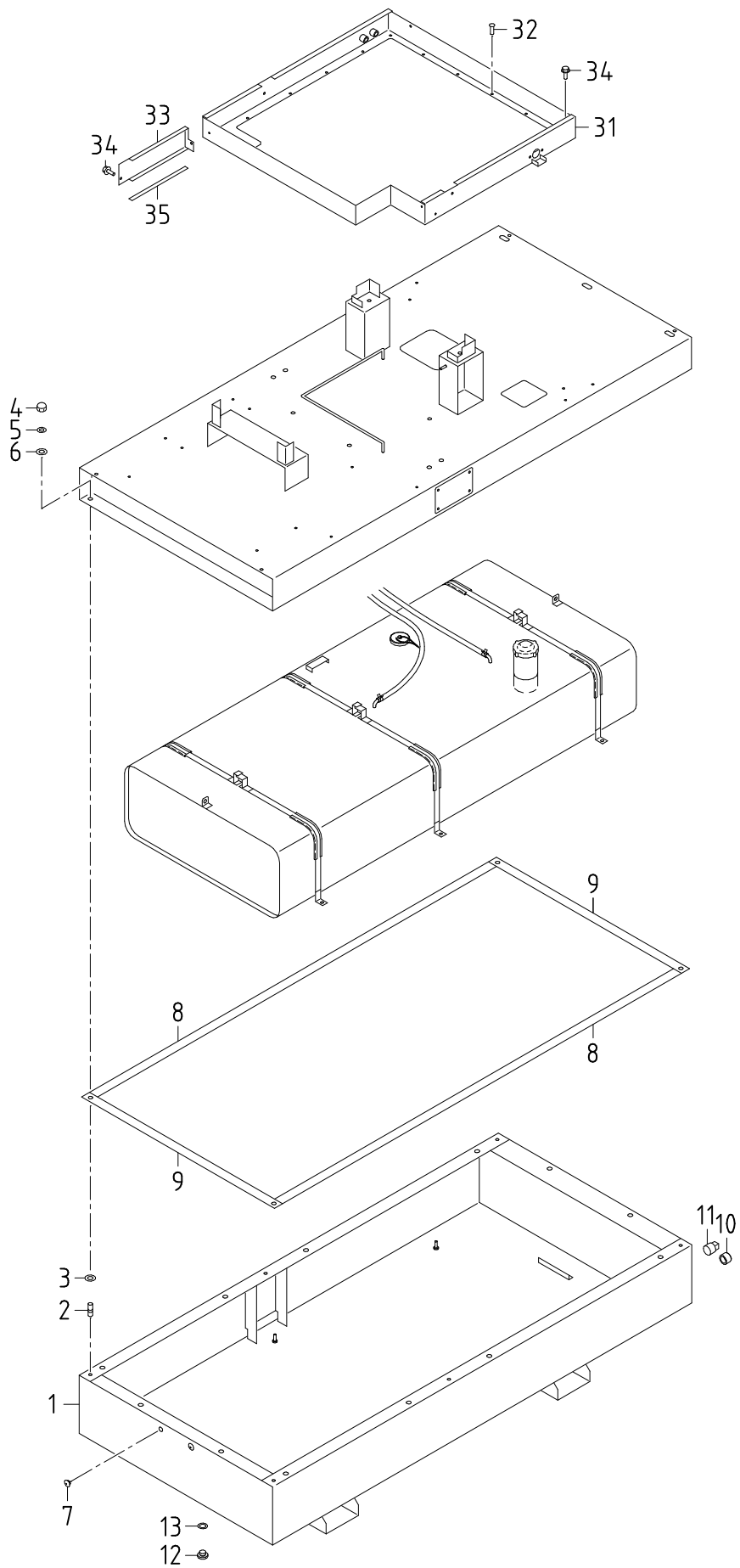




51 - 00 FRAME & BONNET

Ref. NO.	Part NO.	Inter-change ability	Part Name	Q'ty	C/H	Remarks	Ref. NO.	Part NO.	Inter-change ability	Part Name	Q'ty	C/H	Remarks
51 - 00 FRAME GROUP													
1	51100 33343		Frame	1			68	02915 00006		Hexagon flange nut	40		
2	03403 10017		Grommet	4			69	03407 64740		Seal rubber	1		
3	52620 48000		Lifting bail	1			70	52728 14810		Cushion rubber	4		
4	52620 47600		Lifting bail	1			71	52416 19800		Window glass	1		
5	02135 16040		Bolt	8			72	03407 67605		Seal rubber	1		
6	52728 20810		Cushion rubber	4			73	02201 06016		Flange bolt	8		
7	52746 02400		Cap	8			74	02201 08020		Flange bolt	21		
8	52630 12300		Stay	2			75	02401 64012		Screw	2		
9	03403 10014		Grommet	3			76	52746 01900		Cap(protector)	1		
10	52350 44421		Cover	2			77	02246 08050		Bolt, w/w	2		
11	52728 32010		Cushion rubber	2			77 -1	02246 08050	Q	Bolt, w/w	4	M333	
12	03407 64717		Seal rubber	1			78	02246 08016		Bolt, w/w	2		
13	03115 02016		Spring washer	8			79	02401 45016		Screw	4		
14	03116 12016		Plain washer	12			80	02915 00005		Hexagon flange nut	4		
15	02912 08016		Nut	4			81	02401 46020		Screw	4		
16	03116 35005		Plain washer	8			82	02136 06060		Bolt	2		
17	02135 16040		Bolt	4			83	03115 06006		Spring washer	2		
18	03115 06016		Spring washer	4			84	03116 15006		Plain washer	2		
19	03116 15016		Plain washer	4			85	52640 05100		Bolt	6		
20	02201 06016		Flange bolt	9									
52 - 00 BONNET GROUP													
21	52100 94621		Cover	1									
22	52100 94720		Cover	1									
23	03403 10010		Grommet	14									
24	52830 41100		Cover	1									
25	52746 02101		Cap	2									
26	52160 68400		Bracket	1									
27	52160 68500		Bracket	1									
28	02401 46012		Screw	10									
29	03407 68140		Seal rubber	2									
30	52160 34600		Bracket	1									
31	52100 94522		Cover	1									
32	52100 94422		Cover	1									
33	52728 17611		Cushion rubber	2									
34	52370 76800		Duct	2									
35	03407 66861		Seal rubber	2									
36	52100 87520		Cover	1									
36 -1	52100 16830	B	Cover	1	M333								
37	39200 04302		Tool box	1									
38	03407 66863		Seal rubber	1									
39	03407 66848		Seal rubber	2									
40	31131 04100		Rubber, vibration isolator	5									
41	52300 41621		Top cover	1									
42	52350 89010		Cover	1									
43	52450 27130		Door	1									
44	03407 64751		Seal rubber	1									
45	52370 79900		Duct	1									
46	03407 66855		Seal rubber	1									
47	03407 65710		Seal rubber	1									
48	52746 02700		Cap	1									
49	52450 11531		Door	1									
50	03407 64746		Seal rubber	1									
51	52350 41920		Cover	1									
52	52160 57200		Bracket	1									
53	03407 66819		Seal rubber	4									
54	52450 11631		Door	1									
55	52710 03601		Latch ass'y	4									
	52739 03400		Key (0200)	4									
56	03407 64745		Seal rubber	1									
57	52230 44800		Cover	1									
58	03407 67611		Seal rubber	1									
59	52480 14400		Hinge	4									
60	52450 04832		Door	1									
61	03407 64720		Seal rubber	1									
62	52480 13800		Hinge	6									
63	52370 66101		Duct	1									
64	03407 66856		Seal rubber	1									
65	52370 65801		Duct	1									
66	02136 08016		Bolt	40									
67	52450 04930		Door	1									

51 - 01 OIL FENCE



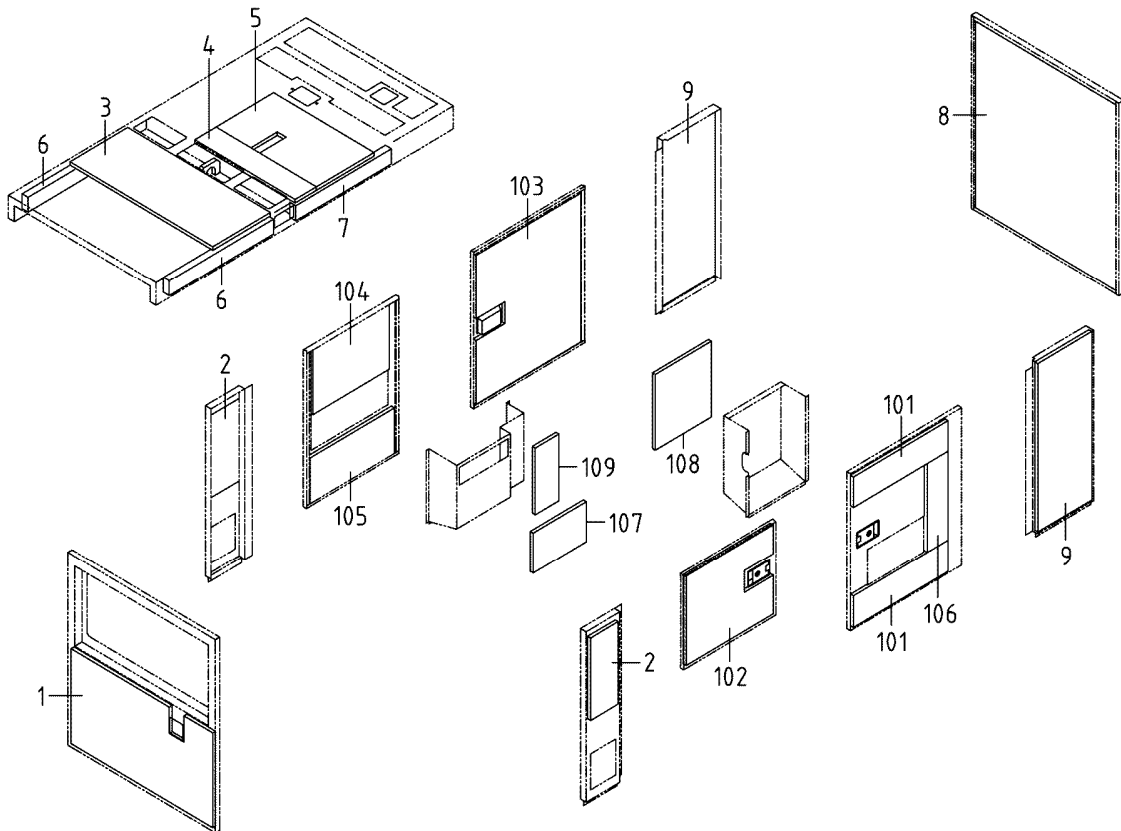


51 - 01 OIL FENCE

Ref. NO.	Part NO.	Inter-change ability	Part Name	Q'ty	C/H	Remarks	Ref. NO.	Part NO.	Inter-change ability	Part Name	Q'ty	C/H	Remarks
51 - 01 FRAME GROUP													
1	51100 12741		Frame	1									
2	02473 12025		Stud bolt	6									
3	52744 01400		Washer	6									
4	02914 20012		Cap nut	6									
5	03115 02012		Spring washer	6									
6	03116 12012		Plain washer	6									
7	03403 10017		Grommet	4									
8	52728 33511		Cushion rubber	2									
9	52728 32711		Cushion rubber	2									
10	03731 60006		Cap	1									
11	03620 41008		Plug	1									
12	03620 20022		Plug	1									
13	03407 20122		Gasket	1									
52 - 01 BONNET GROUP													
31	52160 60601		Bracket	1									
32	03260 05013		Blind rivet	20									
33	52160 60500		Bracket	1									
34	02201 06016		Flange bolt	4									
35	03407 66833		Seal rubber	1									

52 - 00 LINING

Ref. NO.	Part NO.	Inter-change ability	Part Name	Q'ty	C/H	Remarks	Ref. NO.	Part NO.	Inter-change ability	Part Name	Q'ty	C/H	Remarks
	52900 12521		URETHANE FOAM KIT			Const. No. 1~9							
	52901 12521		URETHANE FOAM KIT			Const. No. 101~109							
1	52931 74021		Lining	1									
2	52959 97730		Lining	2									
3	52959 40050		Lining	1									
4	52959 68830		Lining	1									
5	52931 91920		Lining	1									
6	52959 19450		Lining	2									
7	52959 08740		Lining	1									
8	52919 02230		Lining	1									
9	52919 41010		Lining	2									
101	52977 21900		Lining	2									
102	52978 15400		Lining	1									
103	52978 09900		Lining	1									
104	52977 34900		Lining	1									
105	52977 12800		Lining	1									
106	52977 34300		Lining	1									
107	52977 57300		Lining	1									
108	52977 57400		Lining	1									
109	52977 57500		Lining	1									



# I N D E X

PART NO.	PAGE	REF. NO.	PART NO.	PAGE	REF. NO.	PART NO.	PAGE	REF. NO.			
02102	12025	20 - 2	25-1	02401	66016	46 - 2	44	03116	14014	46 - 3	8
02108	10020	44 - 2	48	02415	65012	43 - 2	40	03116	15006	51 - 2	84
02108	12025	20 - 2	25	02473	12025	51 - 4	2	03116	15010	38 - 2	109
02108	12025	38 - 2	74	02912	03014	46 - 3	6	03116	15014	46 - 3	5
02108	12025	44 - 2	43	02912	06010	38 - 2	107	03116	15016	51 - 2	19
02135	10040	20 - 2	17	02912	08008	46 - 2	59	03116	18003	46 - 2	50
02135	16040	51 - 2	5	02912	08010	43 - 2	37	03116	18004	44 - 2	61
02135	16040	51 - 2	17	02912	08016	51 - 2	15	03116	18004	46 - 2	53
02136	06060	51 - 2	82	02912	09004	46 - 2	53	03116	35005	51 - 2	16
02136	08016	51 - 2	66	02914	20012	51 - 4	4	03260	03010	39 - 2	2
02136	08035	46 - 2	56	02915	00005	51 - 2	80	03260	03010	44 - 2	56
02136	10035	38 - 2	106	02915	00006	38 - 2	27	03260	05013	51 - 4	32
02138	06040	20 - 2	14	02915	00006	44 - 2	23	03316	03016	46 - 3	9
02138	06055	44 - 2	55	02915	00006	46 - 2	45	03403	00252	46 - 2	38
02138	08030	20 - 2	12	02915	00006	51 - 2	68	03403	00303	38 - 2	15
02138	10070	43 - 2	34	02915	00008	38 - 2	114	03403	00512	38 - 2	16
02201	06016	38 - 2	26	02915	00008	43 - 2	8	03403	00703	38 - 2	17
02201	06016	38 - 2	77	02915	00008	44 - 2	57	03403	10010	46 - 2	61
02201	06016	43 - 2	18	02915	11010	38 - 2	110	03403	10010	51 - 2	23
02201	06016	44 - 2	53	02915	20012	20 - 2	27	03403	10014	51 - 2	9
02201	06016	46 - 2	64	03115	02003	20 - 2	5	03403	10017	51 - 2	2
02201	06016	51 - 2	20	03115	02006	20 - 2	15	03403	10017	51 - 4	7
02201	06016	51 - 2	73	03115	02006	44 - 2	55	03407	16024	38 - 2	62
02201	06016	51 - 4	34	03115	02008	20 - 2	13	03407	20122	51 - 4	13
02201	08012	20 - 2	47	03115	02010	20 - 2	18	03407	64703	46 - 2	33
02201	08012	38 - 2	29	03115	02010	43 - 2	35	03407	64717	51 - 2	12
02201	08012	43 - 2	39	03115	02010	44 - 2	49	03407	64720	51 - 2	61
02201	08012	44 - 2	58	03115	02012	20 - 2	26	03407	64740	51 - 2	69
02201	08020	38 - 2	112	03115	02012	38 - 2	75	03407	64745	51 - 2	56
02201	08020	44 - 2	40	03115	02012	44 - 2	44	03407	64746	51 - 2	50
02201	08020	46 - 2	41	03115	02012	51 - 4	5	03407	64751	51 - 2	44
02201	08020	51 - 2	74	03115	02014	46 - 3	7	03407	65710	51 - 2	47
02201	08070	43 - 2	38	03115	02016	51 - 2	13	03407	66505	46 - 2	37
02201	10020	38 - 2	30	03115	03003	46 - 2	50	03407	66507	46 - 2	65
02201	10020	38 - 2	102	03115	03004	44 - 2	60	03407	66510	46 - 2	66
02238	10030	20 - 2	19	03115	03004	46 - 2	53	03407	66512	46 - 2	36
02246	08016	46 - 2	60	03115	06006	51 - 2	83	03407	66716	46 - 2	30
02246	08016	51 - 2	78	03115	06010	38 - 2	108	03407	66819	51 - 2	53
02246	08050	51 - 2	77	03115	06014	46 - 3	4	03407	66833	51 - 4	35
02246	08050	51 - 2	77-1	03115	06016	51 - 2	18	03407	66848	51 - 2	39
02247	06025	46 - 2	25	03116	12003	20 - 2	5	03407	66855	51 - 2	46
02248	06025	20 - 2	10	03116	12006	20 - 2	16	03407	66856	51 - 2	64
02345	23008	46 - 2	50	03116	12006	44 - 2	55	03407	66861	51 - 2	35
02345	24020	44 - 2	59	03116	12008	46 - 2	58	03407	66863	51 - 2	38
02345	24020	46 - 2	53	03116	12010	43 - 2	36	03407	66933	38 - 2	12
02345	63012	20 - 2	5	03116	12010	44 - 2	50	03407	66939	38 - 2	14
02401	45016	51 - 2	79	03116	12012	38 - 2	76	03407	66952	38 - 2	13
02401	46012	51 - 2	28	03116	12012	44 - 2	45	03407	67311	38 - 2	9
02401	46020	51 - 2	81	03116	12012	51 - 4	6	03407	67605	51 - 2	72
02401	64012	51 - 2	75	03116	12016	51 - 2	14	03407	67611	51 - 2	58

# I N D E X

PART NO.	PAGE	REF. NO.	PART NO.	PAGE	REF. NO.	PART NO.	PAGE	REF. NO.
03407 68140	51 - 2	29	25310 09600	20 - 2	11	38594 02000	38 - 2	7
03424 80101	44 - 2	46	25360 07100	20 - 2	9	38594 02600	38 - 2	10
03424 80218	38 - 2	6	25650 02100	20 - 2	3	38594 02900	38 - 2	71
03425 00001	38 - 2	32	25700 07600	20 - 2	8	38594 05000	38 - 2	11
03425 00001	44 - 2	41	31110 02610	20 - 2	23	39103 46801	39 - 2	2
03425 00003	43 - 2	41	31110 02710	20 - 2	24	39152 23401	39 - 2	20
03425 00003	44 - 2	63	31120 08900	20 - 2	22	39153 64900	46 - 2	24
03511 10017	43 - 2	31	31131 04100	46 - 2	39	39170 02000	39 - 2	1
03511 20016	43 - 2	32	31131 04100	51 - 2	40	39173 02000	39 - 2	15
03511 20020	43 - 2	33	32100 34502	20 - 2	41	39173 03300	39 - 2	31
03511 20035	38 - 2	65	32142 11300	20 - 2	43	39173 05900	39 - 2	31-1
03511 20060	38 - 2	4	32143 11800	20 - 2	42	39176 05010	39 - 2	13
03511 20070	38 - 2	5	32147 03600	20 - 2	45	39176 09310	39 - 2	38
03511 20080	20 - 2	51	32148 03000	20 - 2	46	39176 50000	39 - 2	27
03511 20100	20 - 2	50	32151 01600	20 - 2	44	39176 62400	39 - 2	14
03511 30185	38 - 2	24	32331 36600	20 - 2	49	39176 62900	39 - 2	21
03511 40016	38 - 2	28	32331 74500	20 - 2	48	39176 69300	39 - 2	29
03511 40016	38 - 2	72	33238 02800	43 - 2	44-1	39176 69500	39 - 2	25
03511 40016	43 - 2	30	35208 04500	46 - 3	3	39176 69600	39 - 2	26
03511 40020	38 - 2	72-1	35421 06800	43 - 2	43	39176 73300	39 - 2	22
03511 40020	43 - 2	29	35483 10101	43 - 2	17	39176 73500	39 - 2	23
03570 08042	43 - 2	25	36120 19701	46 - 2	29	39176 73800	39 - 2	24
03570 08207	43 - 2	26	36143 03600	44 - 2	19	39178 00310	39 - 2	10
03570 09028	43 - 2	11	36145 06500	44 - 2	20	39178 01640	39 - 2	35-1
03580 19055	38 - 2	64	36146 08800	44 - 2	17	39178 22031	39 - 2	28
03600 08071	43 - 2	24	36158 00500	44 - 2	18	39178 30730	39 - 2	3
03600 08152	43 - 2	23	36159 03000	43 - 2	2	39178 43110	39 - 2	11
03600 09008	43 - 2	28	37170 02900	38 - 2	66	39178 47610	39 - 2	12
03600 09040	43 - 2	27	37170 12200	43 - 2	21	39178 49120	39 - 2	30
03600 09070	38 - 2	71-1	37170 12700	43 - 2	10	39178 50620	39 - 2	19
03600 09100	43 - 2	22	37170 20100	38 - 2	68	39178 50820	46 - 2	22
03620 20022	51 - 4	12	37170 20200	43 - 2	12	39178 53620	39 - 2	8
03620 41003	43 - 2	13	37181 03300	44 - 2	30	39178 54721	39 - 2	6
03620 41003	43 - 2	44	37181 05000	38 - 2	73	39178 54820	39 - 2	7
03620 41004	38 - 2	70	37181 06500	44 - 2	52	39178 55020	39 - 2	4
03620 41008	51 - 4	11	37181 07300	43 - 2	16	39178 57720	39 - 2	5
03731 21003	43 - 2	20	37438 08800	38 - 2	78	39178 64330	46 - 2	23
03731 60006	51 - 4	10	38100 40400	38 - 2	1	39178 80820	39 - 2	9
03734 43030	43 - 2	19	38410 05800	38 - 2	1	39178 87210	39 - 2	18
03735 13004	38 - 2	67	38440 02811	38 - 2	18	39200 04302	51 - 2	37
03830 08004	38 - 2	113	38440 02911	38 - 2	19	42100 84200	38 - 2	101
05068 23070	44 - 2	39	38450 80501	38 - 2	20	42230 17700	38 - 2	116
05085 21060	44 - 2	33	38450 81001	38 - 2	21	42240 28201	38 - 2	111
05625 00018	44 - 2	35	38450 81100	38 - 2	22	42310 01411	38 - 2	103
06540 15055	44 - 2	36	38465 12600	43 - 2	3	42310 99001	38 - 2	115
07888 52060	44 - 2	38	38469 01400	38 - 2	1	42323 03600	38 - 2	117
20003 57603	20 - 2	1	38524 68000	38 - 2	3	42324 13600	38 - 2	105
21472 15700	20 - 2	6	38524 68100	38 - 2	2	42324 15200	38 - 2	104
25100 09101	20 - 2	2	38590 01200	38 - 2	23	43100 70102	43 - 2	1
25200 11100	20 - 2	7	38591 01000	38 - 2	25	43210 01301	43 - 2	4

# I N D E X

PART NO.	PAGE	REF. NO.	PART NO.	PAGE	REF. NO.	PART NO.	PAGE	REF. NO.			
43220	01300	43 - 2	5	46120	26900	46 - 2	48	52160	68400	51 - 2	26
43310	27200	43 - 2	6	46120	34000	46 - 2	48	52160	68500	51 - 2	27
43310	27300	43 - 2	7	46120	34100	46 - 2	49	52230	44800	51 - 2	57
43322	06700	43 - 2	9	46120	36600	46 - 2	5	52300	41621	51 - 2	41
43350	02200	44 - 2	29	46153	04000	46 - 2	2	52350	00230	46 - 2	32-1
43532	09400	38 - 2	63	46154	14500	46 - 2	3	52350	41920	51 - 2	51
43534	02102	38 - 2	61	46154	15300	44 - 2	21	52350	44421	51 - 2	10
43534	04900	43 - 2	42	46167	02400	46 - 2	8	52350	44720	46 - 2	34
43550	03100	43 - 2	14	46177	08300	46 - 2	17	52350	70822	38 - 2	8
43650	02400	43 - 2	15	46177	08400	46 - 2	18	52350	72020	46 - 2	32
44100	09900	44 - 2	4	46177	08500	46 - 2	19	52350	89010	51 - 2	42
44210	06600	44 - 2	1	46305	09300	46 - 3	1	52370	65801	51 - 2	65
44210	08200	44 - 2	1	46311	02200	46 - 2	14	52370	66101	51 - 2	63
44220	24500	44 - 2	2	46312	05100	46 - 3	2	52370	76800	51 - 2	34
44243	04501	44 - 2	3	46470	95000	46 - 2	35	52370	79900	51 - 2	45
44243	04600	44 - 2	62	46480	47900	46 - 2	67	52400	15720	46 - 2	55
44243	05500	38 - 2	31	46480	55600	46 - 2	68	52416	19800	51 - 2	71
44243	05500	44 - 2	54	46480	57200	46 - 2	31	52416	27401	46 - 2	42
44250	14710	44 - 2	13	46760	46210	46 - 2	16	52450	04832	51 - 2	60
44260	37400	46 - 2	62	46813	08100	44 - 2	28	52450	04930	51 - 2	67
44260	37801	46 - 2	63	46870	55800	44 - 2	16	52450	11531	51 - 2	49
44290	51400	44 - 2	42	46872	01300	46 - 2	20	52450	11631	51 - 2	54
44290	52000	44 - 2	47	46879	45800	46 - 2	21	52450	27130	51 - 2	43
44311	51300	46 - 2	14	46900	06010	46 - 2	1	52480	13300	46 - 2	43
44311	65600	44 - 2	32	46911	01401	46 - 2	4	52480	13800	51 - 2	62
44311	66300	46 - 2	40	46913	01000	46 - 2	13	52480	14400	51 - 2	59
44312	02800	46 - 2	51	46917	01200	46 - 2	15	52620	47600	51 - 2	4
44312	02900	46 - 2	52	46918	01401	46 - 2	12	52620	48000	51 - 2	3
44322	07200	44 - 2	6	46921	08800	20 - 2	4	52630	12300	51 - 2	8
44328	20500	44 - 2	26	46923	04500	46 - 2	6	52640	02400	46 - 2	46
44334	17700	44 - 2	27	46928	01500	46 - 2	9	52640	05100	51 - 2	85
44336	03001	44 - 2	31	46929	01200	46 - 2	7	52660	04700	44 - 2	7
44346	13200	44 - 2	8	46934	03200	44 - 2	11	52710	03601	51 - 2	55
44346	15200	44 - 2	9	46934	05000	44 - 2	12	52723	00100	46 - 2	27
44346	15300	44 - 2	10	46939	01300	46 - 2	7	52728	14810	51 - 2	70
44364	06200	44 - 2	24	46948	00900	46 - 2	20	52728	15710	38 - 2	69
44365	00300	44 - 2	22	46950	02600	46 - 2	11	52728	17611	51 - 2	33
44381	04000	44 - 2	25	46991	00100	46 - 2	12	52728	20810	51 - 2	6
44390	02801	44 - 2	5	51100	12741	51 - 4	1	52728	32010	51 - 2	11
44462	00800	44 - 2	37	51100	33343	51 - 2	1	52728	32711	51 - 4	9
44462	06700	44 - 2	34	52100	16830	51 - 2	36-1	52728	33511	51 - 4	8
44470	01600	44 - 2	11	52100	87520	51 - 2	36	52739	00600	44 - 2	6
44470	02100	44 - 2	12	52100	94422	51 - 2	32	52739	03400	51 - 2	55
44470	02300	44 - 2	14	52100	94522	51 - 2	31	52744	01400	51 - 4	3
44490	07940	44 - 2	15	52100	94621	51 - 2	21	52746	01900	51 - 2	76
44500	03500	46 - 2	10	52100	94720	51 - 2	22	52746	02101	51 - 2	25
44550	34001	46 - 2	54	52160	34600	51 - 2	30	52746	02400	51 - 2	7
45214	01400	46 - 2	26	52160	57200	51 - 2	52	52746	02700	51 - 2	48
45214	01400	46 - 2	47	52160	60500	51 - 4	33	52830	41100	51 - 2	24
46120	26800	46 - 2	49	52160	60601	51 - 4	31	52919	02230	52 - 1	8

# I N D E X

PART NO.	PAGE	REF. NO.	PART NO.	PAGE	REF. NO.	PART NO.	PAGE	REF. NO.
52919	41010	52 - 1			9			
52931	74021	52 - 1			1			
52931	91920	52 - 1			5			
52931	92020	46 - 2			28			
52959	08740	52 - 1			7			
52959	19450	52 - 1			6			
52959	40050	52 - 1			3			
52959	40050	52 - 1			3-1			
52959	68830	52 - 1			4			
52959	97730	52 - 1			2			
52977	12800	52 - 1			105			
52977	21900	52 - 1			101			
52977	34300	52 - 1			106			
52977	34900	52 - 1			104			
52977	57300	52 - 1			107			
52977	57400	52 - 1			108			
52977	57500	52 - 1			109			
52978	09900	52 - 1			103			
52978	15400	52 - 1			102			
GG160	00100	20 - 2			21			
GH245	00600	46 - 2			57			