



ANA

We make your world easier.



EBOSS[®]
400-220
-HYBRID SYSTEM-
210 / 400 kVA
PRIME / PEAK POWER

U.S. Patent No. 12,283,8222

AIRMAN[®] Generator Tier 4F Final | J. Deere[®] 6068HFG06 Engine

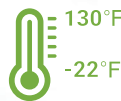
EBOSS[®] HYBRID ENERGY SYSTEMS BENEFITS

20X

UP TO 20X THE
CYCLE LIFE OF
NMC/LFP BATTERIES



SAFE BATTERY
TECHNOLOGY
NO THERMAL RUNAWAY



WIDEST
TEMPERATURE
OPERATING RANGE

1Φ AND 3Φ

SIMULTANEOUS
1 AND 3 PHASE
OUTPUT VOLTAGES



REMOTE ACCESS
MONITORING &
TRACKING



INDUSTRIAL
GRADE
INVERTERS

JOURNEY TO ZERO[®]

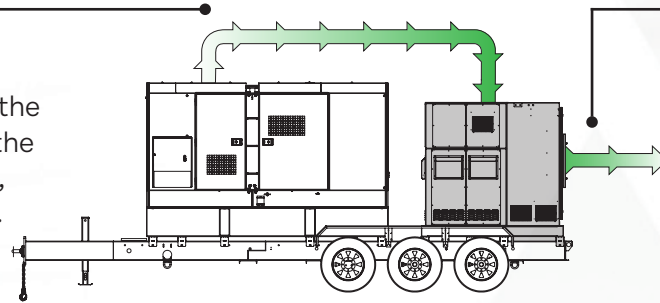
▶ How It Works

EBOSS®
400-220

The generator charges the EBOSS® battery, then shuts down while the EBOSS® powers the load until the battery is depleted. This cycles multiple times per day, allowing the generator to run less frequently, reducing fuel consumption, run time, and emissions.

Charging the EBOSS®

The generator charges the EBOSS® battery. Once the battery is fully charged, the generator shuts off.



Powering the Load

The stored energy in the battery provides power to the load. Once the battery discharges to 15% capacity, the generator starts up again to charge the battery.

EBOSS® Advantage

// Ease of Use

EBOSS® is easier to use, operate, and integrate as a hybrid system with a standard diesel generator.

// Scalability

EBOSS® is easily scalable to dozens of units without any additional hardware or specialty controls required.

// Battery Chemistry

EBOSS® uses LTO battery chemistry, which is much more efficient and safer than the competition's LFP.

// Battery Life

EBOSS® LTO battery packs can last 40+ years (up to 10x longer than the competition's LFP).

// Energy Uptime

Ultra high cycle life LTO batteries can fully charge in 45 min, the competition charges in 4+ hours.

// Telematics

EBOSS® Telematics provides remote monitoring and reporting 24hrs/day anywhere in the world.

// Product Support

World class product support, with trained and knowledgeable technicians answering your calls 24hrs/day.

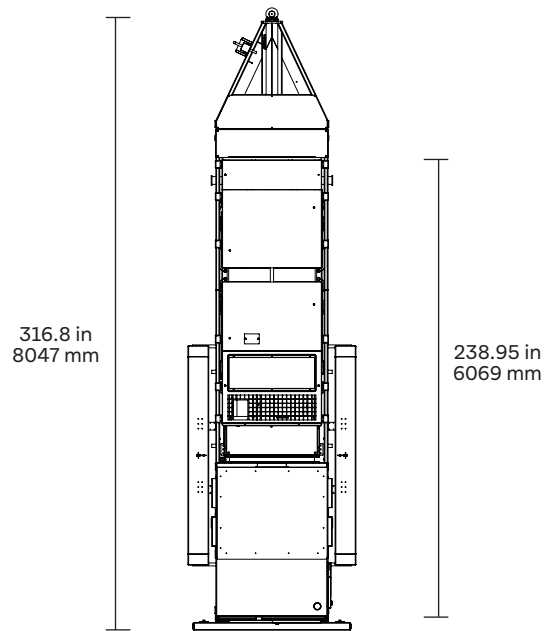
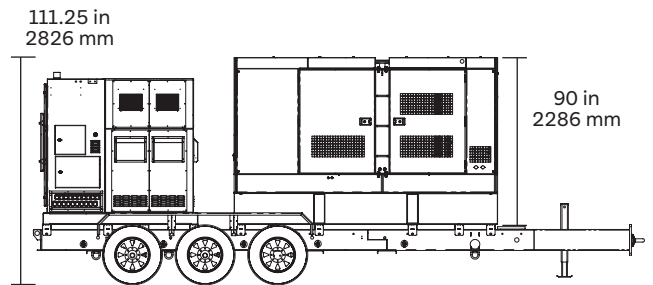
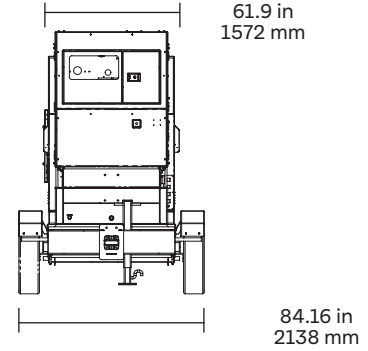
// Climate Versatility

EBOSS® performs effortlessly in virtually any climate or environment around the world from -22°F to 130°F (-30°C to 54°C).

► Specifications

EBOSS®
400-220

EBOSS® Specifications		
Generator Input	176kW max	
Battery Capacity	125kWh	
EBOSS® Output	320kW max (384 Amp Load)	
Frequency	60Hz	
Total Battery Life (Energy Throughout)	10,000 MWh	
Battery Cycles / Battery Life (100° F)	80K / 41 Years	
Battery Chemistry	Lithium Titanium Oxide (LTO)	
Operating Temp	-22°F to 130°F (-30°C to 54°C)	
Inverter Cold Start Temp	14°F (-10°C) minimum	
Charge Time (No Load)	~45 min	
Telematics	Monitoring & Reporting	
Parallel Capability	Unlimited	
Dimensions (LxWxH)	Skid 90.29" x 58.89" x 110.72" (2293mm x 1496mm x 2812mm)	
	Hybrid 316.8" x 84.16" x 111.25" (8047mm x 2138mm x 2826mm)	
Weight (Empty / Fueled)	Power Module 13,036lbs (5,913kg)	
	Hybrid 21,600lbs / 23,800lbs (9,797kg / 10,795kg)	
Maximum Intermittent Power Output (Battery SOC Greater than 5%)		
Three Phase	400kVA / 320kW	
Simultaneous Voltage (Three Phase)	480	
Single Phase	N/A	
Simultaneous Voltage (Single Phase)	120	
Frequency	60Hz	
Voltage Regulation	Adjustable	
Maximum Continuous Power Output (Battery SOC at 0%)		
Generator	Airman SDG220	
Generator Charge Rate	220kVA / 176kW	
Three Phase Output	210kVA / 168kW	
Single Phase Output	2.4kW x 2	
Simultaneous Voltage (Three Phase)	480	
Simultaneous Voltage (Single Phase)	120	
Warranty		
2 Year EBOSS®	7 Year Battery	
Optional Equipment		
Cold Weather Package	Arctic Package	600V Package



EBOSS® Breaker Type		Rating	QTY
Input	Generator	350A	1
Output	480V 3 Phase	400A	1
	120V GFCI	20A	2

*Specifications shown subject to change without notice. Please contact ANA for current specifications and model information.

Learn More About



ANA

We make your world easier.

ANACORP.COM



EBOSS®



SOLD AND SERVICED BY

Cypress, CA // Henderson, NV // Spartanburg, SC
Executive Offices // 1770 Raiders Way, Henderson, NV 89052
1 (562) 450-3570 // sales@anacorp.com // www.anacorp.com

*Specifications shown are subject to change without notice.
Please contact ANA, Inc for current specifications and model information.

EB400-220SV2.26